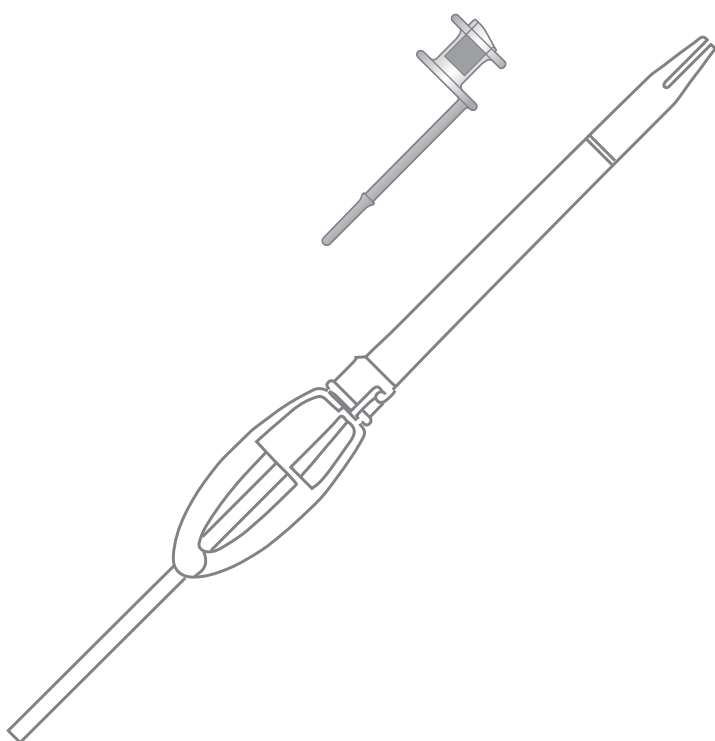
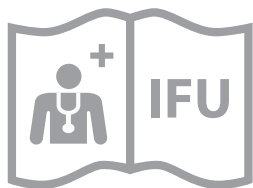


PROVOX Vega



MD

**Rx
ONLY**



CE 0413

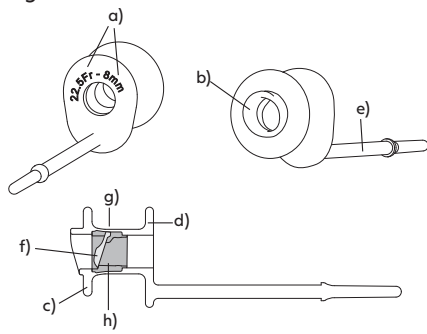


STERILE EO



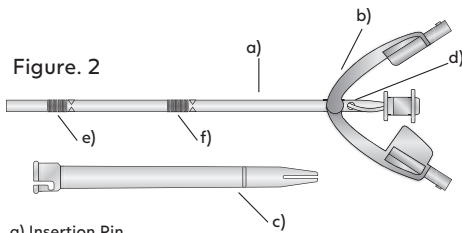
42°C
108°F
RT
2°C
36°F

Figure. 1



- a) Size information
- b) Prosthesis Hood
- c) Esophageal Flange
- d) Tracheal Flange
- e) Safety Strap
- f) Valve Flap
- g) Prosthesis Shaft
- h) Radio-opaque fluoroplastic Valve Seat

Figure. 2



- a) Insertion Pin
- b) Folding Tool
- c) Loading Tube
- d) Attachment Slot
- e) Distal grip surface
- f) Proximal grip surface

2.2 Preparation

Figure. 3

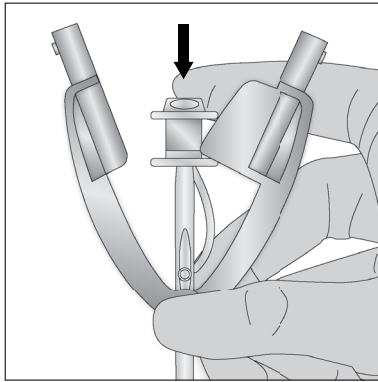


Figure. 4

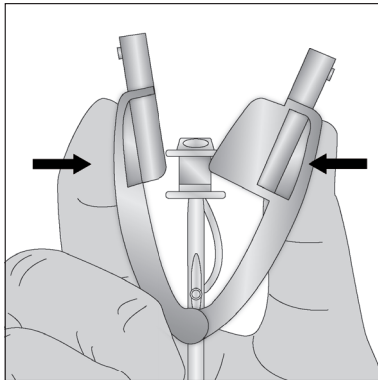


Figure. 5

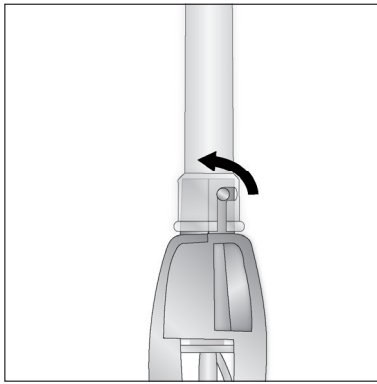
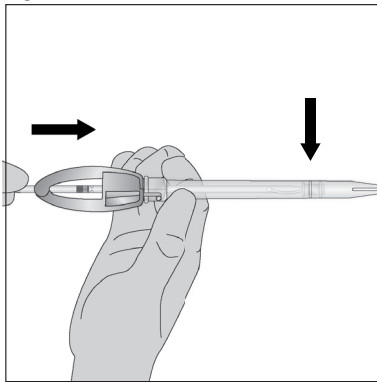
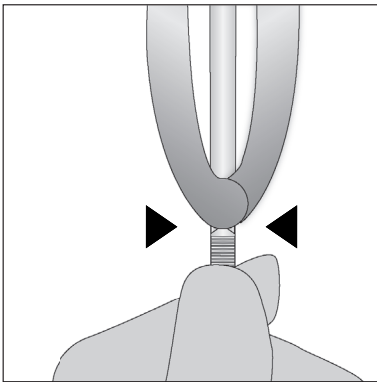


Figure. 6



2.3.1 Method 1 System Insertion

Figure. 7



2.3.2 Method 2 Tube Insertion

Figure. 8

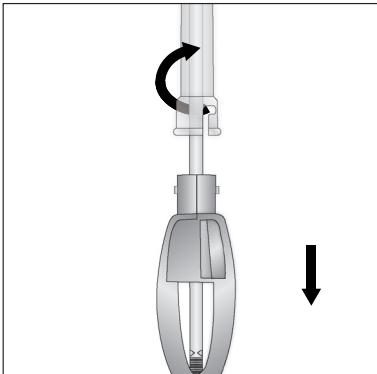
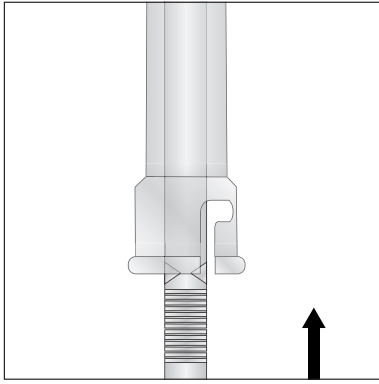


Figure. 9



2.3.3 Method 3 Overshoot Insertion

Figure. 10

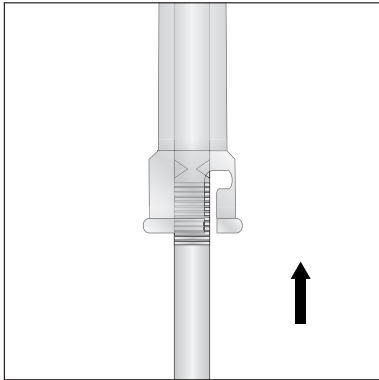


Figure. 11

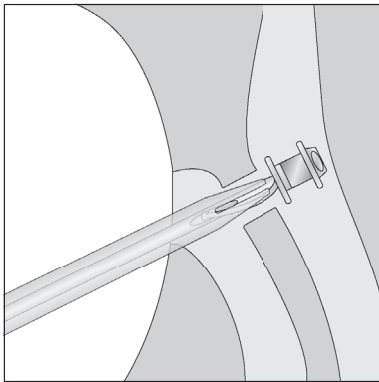
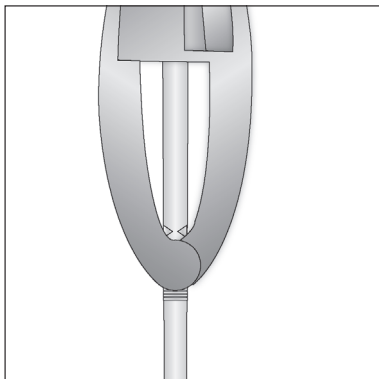


Figure. 12



2.3.4 Method 4 Capsule Insertion

Figure. 13

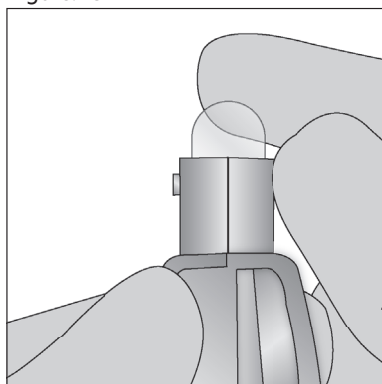


Figure. 14

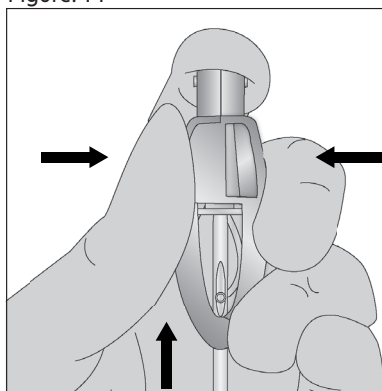
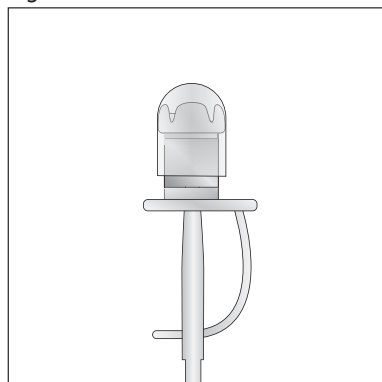
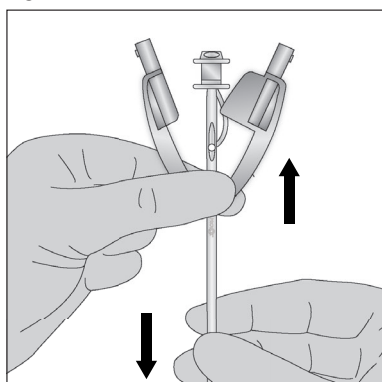


Figure. 15



2.4 Assembly and reloading

Figure. 16



2.5 Finalization

Figure. 17

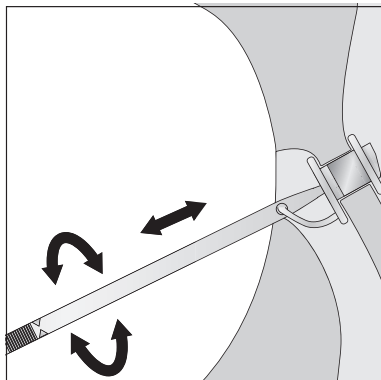


Figure. 18

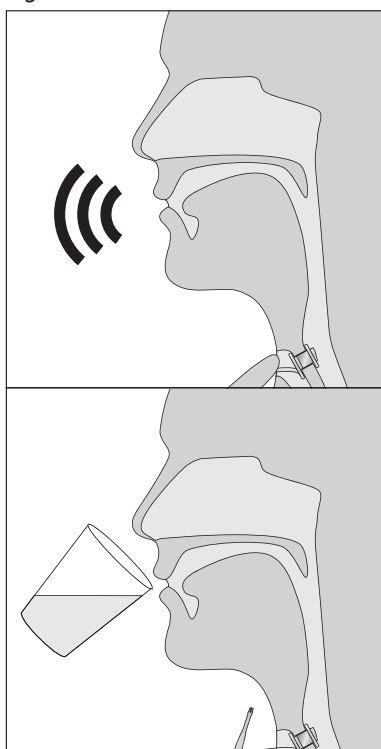
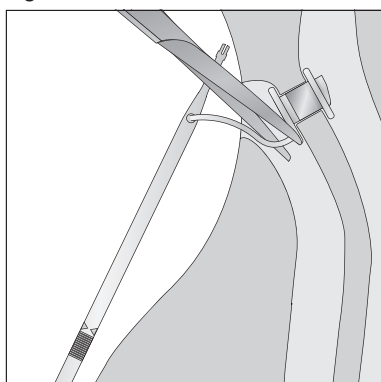


Figure. 19



Prescription information

CAUTION: United States Federal law restricts this device to sale, distribution and use by or on order of a physician or a licensed practitioner. The availability of this product without prescription outside the United States may vary from country to country.

Disclaimer

Atos Medical offers no warranty - neither expressed nor implied - to the purchaser hereunder as to the lifetime of the product delivered, which may vary with individual use and biological conditions. Furthermore, Atos Medical offers no warranty of merchantability or fitness of the product for any particular purpose.

Contents

EN - ENGLISH.....	9
DE - DEUTSCH.....	13
NL - NEDERLANDS.....	18
FR - FRANÇAIS.....	23
IT - ITALIANO	28
ES - ESPAÑOL.....	33
PT - PORTUGUÊS.....	38
SV - SVENSKA	42
DA - DANSK.....	47
NO - NORSK.....	51
FI - SUOMI.....	56
CS - ČESKY	60
HU - MAGYAR	65
PL - POLSKI.....	69
HR - HRVATSKI.....	74
TR - TÜRKÇE	79
RU - РУССКИЙ.....	83
JA - 日本語.....	88
KO - 한국어.....	93
ZHTW - 繁體中文.....	97
HE - עברית.....	105
AR - العربية.....	109

Provox Vega

1. Descriptive information

1.1 Intended use

Provox Vega Voice Prosthesis is a sterile single use indwelling voice prosthesis intended for voice rehabilitation after surgical removal of the larynx (laryngectomy). Cleaning of the voice prosthesis is performed by the patient while it remains in situ.

Provox Insertion System is a sterile single use device intended for anterograde replacement of Provox Vega Voice Prosthesis. This replacement procedure is carried out by a medical doctor or a trained medical professional in accordance with local or national guidelines.

Provox Insertion System is not intended to be used for insertion of a voice prosthesis in a freshly made puncture.

1.2 Description of the device

General

Provox Vega is a one-way valve (prosthesis) that keeps a TE-puncture open for speech, while reducing the risk of fluids and food entering the trachea. Provox Vega voice prosthesis is not a permanent implant, and needs periodic replacement. The prosthesis (Fig. 1) is available in different diameters and several lengths. The device is made of medical grade silicone rubber and fluoroplastic.

Provox Vega package

Provox Vega package contains the following items:

- 1 Provox Vega voice prosthesis pre-assembled in a single-use Insertion System, sterile (Fig. 2)
- 1 Provox Brush of a size corresponding to the voice prosthesis, non-sterile
- 1 Provox Vega Clinician's manual
- 1 Provox Vega Patient's manual
- 1 Provox Brush Instructions for Use

1.3 CONTRAINDICATIONS

There are no known contraindications for use or replacement of Provox Vega voice prosthesis among patients already using prosthetic voice rehabilitation.

1.4 WARNINGS

- **Dislodgement or extrusion of Provox Vega voice prosthesis** from the TE puncture and subsequent ingestion, aspiration or tissue damage may occur. A foreign body in the airway may cause severe complications such as acute respiratory distress and/or respiratory arrest.
- **Select the proper prosthesis size.** A tight fit may cause tissue necrosis and extrusion.
- **Instruct the patient to consult a physician** immediately if there are any signs of tissue edema and/or inflammation/infection.
- **Instruct the patient to consult a physician** if leakage through or around the voice prosthesis occurs. Leakage may cause aspiration pneumonia.
- **If used, choose laryngectomy tubes or stoma buttons** with a suitable shape that do not exert pressure on the prosthesis or catch onto the tracheal flange of the prosthesis during insertion and removal of the laryngectomy tube or stoma button. This may lead to severe tissue damage and/or accidental ingestion of the prosthesis.
- **Instruct the patient to use only genuine Provox accessories** of corresponding size (Brush, Flush, Plug) for maintenance and to avoid all other kinds of manipulation.
- **Re-use and re-processing** may cause cross-contamination and damage to the device, which could cause patient harm.

1.5 PRECAUTIONS

- Carefully assess any patient with bleeding disorders or who is undergoing anticoagulant treatment for the risk of bleeding or hemorrhage prior to placement or replacement of the prosthesis.
- Inspect the package before use. If the package is damaged or opened, do not use the product.
- Always use aseptic technique when handling the prosthesis in order to reduce infection risk.

2. Instructions for use

2.1 Choose size of the Voice prosthesis

Choosing the right shaft diameter and length of the replacement prosthesis

Be sure to use a Provox Vega voice prosthesis of the proper shaft diameter and length. Provox Vega is available in different shaft diameters and in several lengths.

- **Selecting shaft diameter**

The Clinician should determine the proper diameter of the prosthesis appropriate for the patient.

If the selected diameter is larger than the previous prosthesis the tract must be dilated, using Provox Dilator, appropriate to the diameter of the prosthesis being inserted.

If a prosthesis with a smaller shaft diameter is inserted, observe and ensure that the puncture shrinks to the appropriate diameter.

- **Selecting shaft length**

To select the correct length, you may use the current prosthesis as its own measuring device.

If there is too much (i.e. 3 mm /~0.12 inches, or more) space between the Tracheal Flange of the old prosthesis and the mucosal wall, a shorter prosthesis should be used. If the prosthesis sits too tight, a longer prosthesis should be used.

2.2 Preparation

(Fig. 3-6)

Position voice prosthesis

1. Ensure the Voice Prosthesis is properly positioned on the Insertion Pin, firmly attached, and with the tip of the pin positioned all the way into the blue ring of the voice prosthesis (Fig. 3).

Fold the esophageal flange

2. Verify that the Insertion Pin is correctly positioned with the Folding Tool (The Pin shall be snapped into the Folding Tool).
3. Squeeze the Folding Tool together with two fingers (Fig. 4).
4. Attach the Loading Tube while keeping the Folding Tool closed and twist the Loading Tube until it locks in place (Fig. 5).
(N/A for Capsule Insertion)

Load

5. Push the Insertion Pin forward until the voice prosthesis is aligned with the visible ring on the Loading Tube (Fig. 6). (N/A for Capsule Insertion)

Remove the old voice prosthesis

6. Remove the current (old) prosthesis from the TE-puncture by pulling it out with a non-toothed hemostat. Alternatively, at the clinician's discretion, the tracheal flange of the prosthesis can be grasped with forceps and cut off. The rest of the prosthesis is then pushed into the esophagus for passage through the intestinal tract. The patient's history of any intestinal diseases should be taken into account before using this method.

Prepare the puncture (optional)

7. The puncture may be dilated to prepare for the insertion of the voice prosthesis. This is usually not necessary but may facilitate insertion in patients with angled or tight punctures that easily collapse.

2.3 Insertion, Anterograde replacement procedure

Four methods can be used to insert a Provox Vega voice prosthesis with Provox Insertion System. The choice of method is at the clinician's discretion.

2.3.1 System Insertion: The entire insertion system is used.

2.3.2 Tube Insertion: The folding Tool is removed before insertion.

2.3.3 Overshoot Insertion: The entire voice prosthesis is deployed in the esophagus and then retracted to the intended position.

2.3.4 Capsule Insertion: The voice prosthesis is placed into a Provox Capsule before insertion.

2.3.1 Method 1: System Insertion

1. **Enter the TE-puncture**

Hold Provox Insertion System by the Loading Tube. Enter the puncture with the Loading Tube Tip. Proceed with care if you encounter resistance. If there is resistance, dilatation and/or lubrication can ease the insertion.

2. **Insert the voice prosthesis**

Hold the Loading Tube stable with one hand and push the Insertion Pin with the other hand until the arrows at the Distal grip surface are flush with the bottom edge of the Folding Tool (Fig. 7). At this point, the esophageal flange of the voice prosthesis is entirely unfolded in the esophagus.

3. **Release the voice prosthesis**

Pull the Loading Tube and Folding Tool together straight out from the puncture. The voice prosthesis remains in the puncture; still firmly attached to the Insertion Pin.

4. **Finalize the procedure**

After insertion, finalize the procedure as described below in section 2.5.

2.3.2 Method 2: Tube Insertion

To enhance visibility, the Folding Tool can be removed once the prosthesis has been pushed into the Loading Tube.

Note: It is important to always use Provox Insertion System with Folding Tool attached when loading the prosthesis to ensure proper folding of the esophageal flange.

1. Remove the Folding Tool

Remove the Folding Tool by unlocking and disconnecting it from the Loading Tube (Fig. 8).

2. Enter the TE-puncture

Hold Provox Insertion System by the Loading Tube. Enter the puncture with the Loading Tube Tip. Proceed with care if you encounter resistance. If there is resistance, dilatation and/or lubrication can ease the insertion.

3. Insert the voice prosthesis

Push the Insertion Pin with the other hand until the arrows at the Proximal grip surface are flush with the Loading Tube (Fig. 9). At this point, the esophageal flange of the voice prosthesis is entirely unfolded in the esophagus.

4. Release the voice prosthesis

Hold the Loading Tube with one hand and the Insertion Pin with the other hand. Pull both the Loading Tube and the Insertion Pin back until you feel the esophageal flange has reached the anterior esophageal wall. Then, let go of the Insertion Pin and pull the Loading Tube straight out from the puncture. This will release the tracheal flange.

Note: If the tracheal flange unfolds inside the esophagus or puncture (unintentional overshooting), grasp the tracheal flange with a non-toothed hemostat and pull/rotate the voiceprosthesis into place.

5. Finalize the procedure

After insertion, finalize the procedure as described below in section 2.5.

2.3.3 Method 3: Overshoot Insertion

Overshooting of Provox Vega voice prosthesis is occasionally performed to ensure complete development of the esophageal flange in difficult TE punctures.

1. Remove the Folding Tool (Optional)

After the prosthesis has been pushed into the Loading Tube, remove the Folding Tool by unlocking and disconnecting it from the Loading Tube (Fig. 8).

2. Enter the TE-puncture

Hold Provox Insertion System by the Loading Tube. Enter the puncture with the Loading Tube Tip. Proceed with care if you encounter resistance. If there is resistance, dilatation and/or lubrication can ease the insertion.

3. Insert the voice prosthesis

Hold the Loading Tube stable with one hand and push the Insertion Pin with the other hand until beyond the Proximal grip surface (Fig. 10). At this point the voice prosthesis is fully deployed in the esophagus (Fig.11).

If overshoot insertion is performed with the Folding Tool kept assembled, push the Insertion Pin beyond the Distal grip surface. At this point the voice prosthesis is fully deployed in the esophagus (Fig. 12).

4. Release the voice prosthesis

Pull the Loading Tube straight out from the puncture. The prosthesis remains in the esophagus; still firmly attached to the Insertion Pin. Grasp the tracheal flange with a non-toothed hemostat and pull/rotate the voice prosthesis into place.

5. Finalize the procedure

After insertion, finalize the procedure as described below in section 2.5.

2.3.4 Method 4: Capsule Insertion

Intended use

The Provox Capsule is a single use accessory for antegrade insertion of a standard voice prosthesis by a clinician into the tracheoesophageal puncture of a laryngectomized patient.

Description of the device

Provox Capsule are made of a water soluble material of plant origin, and sizes are available to fit three different diameters of voice prostheses, 17, 20 and 22.5 Fr.

WARNINGS

- Always ensure that the voice prosthesis is folded correctly and that it is properly inserted into the Provox Capsule before insertion. If the Provox Capsule comes off prematurely it could be aspirated. Note that lubricants can compromise the attachment of the Capsule.
- Do not use Provox Capsule if suspicion of contamination exists.
- Do not use Provox Capsule if the package or capsules appear damaged.
- Ensure that the voice prosthesis is functional after insertion into TE-puncture. Always follow the safety precautions specified in the instruction for use of the voice prosthesis after insertion.

PRECAUTIONS

- Do not use sharp items to insert the esophageal flange into Provox Capsule since this may damage the voice prosthesis.
- Only use a Provox Capsule of the same size or one size larger than the diameter of the voice prosthesis.

The Folding Tool of Provox Insertion System can be used for folding the esophageal flange of a standard Provox Vega voice prosthesis into a Provox Capsule*. In this procedure the Loading Tube is not used.

1. Insert the prosthesis into Provox Capsule

Discard the long part of the Provox Capsule and use the short part for insertion. Squeeze the Folding Tool together with two fingers and place the capsule in the opening of the Folding Tool (Fig. 13). Keep the Folding Tool together, while

holding the capsule down with the index finger (Fig. 14). Alternatively use Provox TwistLock to keep the Folding Tool together. Push the insertion pin firmly forward; this will load the esophageal flange of the voice prosthesis into the capsule.

2. Check proper loading

The voice prosthesis is now loaded into Provox Capsule, and the Folding Tool can be removed from the Insertion Pin. Confirm that the esophageal flange is inside the capsule (Fig. 15). If the voice prosthesis is not properly folded, the loading process should be repeated with a new Provox Capsule. Make sure that the strap of the voice prosthesis is secured to the insertion pin intended for inserting the prosthesis into the puncture.

3. Remove the old voice prosthesis and prepare the TE puncture (see Section 2.2 points 6 and 7).

4. Insert capsule into the puncture

Hold the voice prosthesis in a fully inserted position until Provox Capsule has dissolved and the esophageal flange has completed unfolded. Slightly tug on the strap of the voice prosthesis to ensure it is in the proper position.

5. Release the voice prosthesis

Remove the insertion pin from the voice prosthesis. The voice prosthesis remains in the puncture.

6. Finalize the procedure

After insertion, finalize the procedure as described below in section 2.5.

* Not available in all countries.

2.4 Assembly and reloading Provox Insertion System

If the first attempt to insert Provox Vega into the TE-puncture was unsuccessful, it is possible to reload the voice prosthesis into Provox Insertion System.

Position voice prosthesis

1. Mount the voice prosthesis with the tracheal side facing down on top of the Insertion Pin.
2. Attach the Safety Strap by leading it through the Attachment Slot from either side.
3. Ensure the Voice Prosthesis is properly positioned on the Insertion Pin, firmly attached and with the tip of the pin positioned all the way into the blue ring of the voice prosthesis (Fig. 3).

Connect the Folding Tool

4. Guide the Insertion Pin through the opening in the Folding Tool until it clicks in place. Pull the pin until the pin is snapped into the Folding Tool (Fig. 16). Provox Insertion System is now ready for preparation. Continue the preparation as described above in section 2.2.

CAUTION: Do not reload more than twice. If Provox Vega voice prosthesis shows any signs of damage, do not use the voice prosthesis.

2.5 Finalize the procedure

After insertion:

Ensure proper fit

1. Ensure the proper position of the voice prosthesis by rotating and gently pulling the Insertion Pin (Fig. 17). The prosthesis is in an ideal position when the Safety Strap is pointing downwards.

Test proper function

2. Brush Provox Vega with Provox Brush. Test proper function of the prosthesis by asking the patient to speak and by observing that the prosthesis does not leak while the patient drinks water (Fig. 18).

Cut the Safety Strap

3. After ensuring the voice prosthesis is placed correctly, cut off the Safety Strap so that it is flush with the Tracheal Flange (Fig. 19). Provox Vega voice prosthesis is now ready for use.

2.6 Disposal

Always follow medical practice and national requirements regarding biohazards when disposing of a used medical device.

3. Important patient information

3.1 General information

Ensure that the patient understands to contact their clinician if:

- There is leakage through or around the prosthesis (coughing and/or change of mucus color).
- Speaking becomes difficult (higher effort and/or voice sounds more strained).
- There are any signs of inflammation or tissue changes at the puncture site or the stoma region (pain, redness, heat, swelling, traces of blood on the brush after brushing).

Also inform the patient that:

- After a prosthesis replacement traces of blood may be found in the sputum. This may come from granulation tissue on the edges of the TE puncture.
- Provox Vega Plug can be used to temporarily stop leakage through the voice prosthesis.
- Speech Training Sessions with a trained clinician are advised in order to acquire optimal voice sound, fluent speech, and optimal intelligibility.

3.2 Prosthesis maintenance

Instruct the patient when and how to clean his or her Provox Vega voice prosthesis. Cleaning the prosthesis at least twice a day can help prolong the device life.

CAUTION: Only use genuine Provox accessories that are intended for use with Provox Vega when cleaning the prosthesis.

- Brushing the prosthesis with Provox Brush twice a day will help to remove mucus and food remnants from the prosthesis.
- Flushing the prosthesis with Provox Flush also helps to clean debris and mucus from the prosthesis, which can help increase the life of the device.

Note: Provox Flush is intended for use only by patients who, as assessed by the clinician who prescribes the device, have demonstrated ability to understand and consistently follow the instructions for use without clinician supervision.

- Some dietary measures, like the daily intake of yogurt or butter milk containing lactobacilli, are considered to be helpful against excessive Candida growth.

For detailed information on how to clean Provox Vega, please see Instructions for each accessory.

4. Additional information

4.1 Compatibility with MRI, X-ray and radiation therapy

Provox Vega voice prostheses have been tested and found to be compatible, with Magnetic Resonance Imaging (tested up to 3 Tesla), x-ray and radiation therapy (tested up to 70 Gy). The prosthesis can be left within the TE-puncture during the examination/therapy session. Note that the radio-opaque valve seat is visible on x-ray.

4.2 Device lifetime

Depending on individual biological circumstances the device life varies, and it is not possible to predict the integrity of the device over a longer period of time. The material of the device will be affected by e.g. bacteria and yeast, and the structural integrity of the device will eventually deteriorate.

Laboratory testings of simulated usage for a test period of 12 months show that, in the absence of bacteria and yeasts, the device will maintain its structural integrity for this time period. The device has not been tested for usage beyond 12 months. Usage beyond this limit is under the sole discretion of the prescriber.

4.3 Compatibility with antifungal medicine

Laboratory tests show only minor negative influence on the function of Provox Vega voice prosthesis and components when using the following antifungal medications: Nystatin, Fluconazole, Miconazol.

5. Reporting

Please note that any serious incident that has occurred in relation to the device shall be reported to the manufacturer and the national authority of the country in which the user and/or patient resides.

DEUTSCH

Provox Vega

1. Beschreibung

1.1 Verwendungszweck

Die Provox Vega Stimmprothese ist eine sterile Verweilprothese zum einmaligen Gebrauch während der Stimmrehabilitation nach einer chirurgischen Entfernung des Larynx (Laryngektomie). Der Patient kann die Stimmprothese in eingesetztem Zustand selbst reinigen.

Das Provox Insertion System ist ein steriles Produkt für den Einmalgebrauch, das für einen anterograden Wechsel der Provox Vega Stimmprothese vorgesehen ist. Dieser Prothesenwechsel erfolgt durch einen Arzt oder eine geschulte medizinische Fachkraft in Übereinstimmung mit lokalen oder nationalen Richtlinien.

Das Provox Insertion System ist nicht dafür vorgesehen, eine Stimmprothese in eine neu angelegte tracheo-ösophageale Punktion einzusetzen.

1.2 Produktbeschreibung

Allgemeines

Provox Vega ist ein Einweg-Ventil (Prothese), das eine tracheo-ösophageale Punktion zum Zwecke des Sprechens offen hält und gleichzeitig das Risiko minimiert, dass Speisen oder Flüssigkeiten in die Luftröhre gelangen. Die Provox Vega Stimmprothese ist kein Dauerimplantat und muss regelmäßig gewechselt werden. Die Prothese (Abb. 1) ist in verschiedenen Durchmessern und Längen erhältlich. Das Produkt besteht aus Silikon medizinischer Güte und Fluorkunststoff.

Lieferumfang von Provox Vega

Die folgenden Artikel sind im Lieferumfang von Provox Vega enthalten:

- 1 Provox Vega Stimmprothese, vormontiert in einem Insertion System zum Einmalgebrauch, steril (Abb. 2)
- 1 Bürste Provox Brush für eine zur Stimmprothese passenden Größe, unsteril
- 1 Gebrauchsanweisung für Ärzte für Provox Vega
- 1 Gebrauchsanweisung für Patienten für Provox Vega
- 1 Gebrauchsanweisung zur Bürste Provox Brush

1.3 KONTRAINDIKATIONEN

Es sind keine Kontraindikationen für die Verwendung oder den Wechsel der Provox Vega Stimmprothese bei Patienten, die bereits eine Stimmprothese tragen, bekannt.

1.4 WARNHINWEISE

- Es ist nicht ausgeschlossen, dass die **Provox Vega Stimmprothese verrutscht oder aus der tracheo-ösophagealen Punktion herausgedrückt** und in der Folge verschluckt oder aspiriert wird bzw. Gewebeschädigungen verursacht. Ein Fremdkörper in den Atemwegen kann zu schweren Komplikationen wie akuter Atemnot und/oder Atemstillstand führen.
- **Wählen Sie die richtige Prothesengröße aus.** Ein zu enger Sitz kann zu Gewebenekrose und Extrusion führen.
- **Weisen Sie den Patienten an, sofort einen Arzt zu konsultieren**, wenn er Anzeichen für Gewebeödeme und/oder Entzündungen/Infektionen bemerkt.
- **Weisen Sie den Patienten an, sofort einen Arzt zu konsultieren**, wenn Leckagen durch oder um die Stimmprothese herum auftreten. Leckagen können zu einer Aspirationspneumonie führen.
- **Sofern verwendet, sind Laryngektomiekannülen oder Tracheostoma-Buttons** mit geeigneter Form so zu wählen, dass sie keinen Druck auf die Prothese ausüben oder sich während des Einsetzens bzw. Herausnehmens der Laryngektomiekannüle oder des Tracheostoma-Buttons nicht im Tracheal-Flansch der Prothese verfangen. Ansonsten könnten schwere Gewebeschädigungen und/oder ein versehentliches Verschlucken der Prothese die Folge sein.
- **Weisen Sie den Patienten darauf hin, ausschließlich Original-Provox-Zubehör** mit der richtigen Größe (Brush, Flush, Plug) für die Prothesenpflege zu verwenden und von sämtlichen anderen Manipulationen abzusehen.
- **Wiederverwendung und Wiederaufbereitung** können eine Kreuzkontamination und eine Beschädigung des Produkts verursachen, was für den Patienten negative Folgen haben könnte.

1.5 VORSICHTSMASSNAHMEN

- Bei Patienten, die an Gerinnungsstörungen leiden oder die mit Antikoagulanzen behandelt werden, muss das Blutungs-/Hämorrhagierisiko vor dem Einsetzen bzw. Austauschen der Prothese sorgfältig beurteilt werden.
- Prüfen Sie vor der Verwendung die Verpackung. Verwenden Sie das Produkt nicht, wenn die Verpackung beschädigt oder geöffnet ist.
- Achten Sie beim Umgang mit der Prothese auf ein aseptisches Vorgehen, um das Infektionsrisiko zu verringern.

2. Gebrauchsanweisung

2.1 Auswahl der richtigen Stimmprothesengröße

Auswahl des korrekten Schaftdurchmessers und der korrekten Länge der Ersatzprothese

Verwenden Sie eine Provox Vega Stimmprothese mit geeignetem Schaftdurchmesser und geeigneter Länge. Provox Vega ist mit verschiedenen Schaftdurchmessern und in unterschiedlichen Längen erhältlich.

- **Auswahl des Schaftdurchmessers**
Der Arzt muss den korrekten Schaftdurchmesser der für den Patienten geeigneten Prothese ermitteln.
Wenn der gewählte Durchmesser größer als der der vorherigen Prothese ist, muss der Kanal mithilfe von Provox Dilator (Dilatator) auf den Durchmesser der einzusetzenden Prothese geweitet werden.
Wenn eine Prothese mit einem kleineren Schaftdurchmesser eingesetzt wird, muss die Fistel beobachtet werden, um sicherzustellen, dass diese auf den entsprechenden Durchmesser einschrumpft.
- **Auswahl der Schaftlänge**
Zur Auswahl der korrekten Länge kann die derzeitige Prothese als Maßstab verwendet werden.
Wenn ein zu großer Abstand (sprich 3 mm / 0,12 in oder mehr) zwischen dem Tracheal-Flansch der alten Prothese und der Schleimhaut besteht, sollte eine kürzere Prothese verwendet werden. Wenn die Prothese zu eng sitzt, ist auf eine längere Prothese zurückzugreifen.

2.2 Vorbereitung

(Abb. 3–6)

Stimmprothese platzieren

1. Vergewissern Sie sich, dass die Stimmprothese korrekt und fest auf dem Inserters sitzt. Dabei muss die Spitze des Inserters bis zum Anschlag in den blauen Ring der Stimmprothese ragen (Abb. 3).

Ösophagealen Flansch falten

2. Vergewissern Sie sich, dass der Inserters korrekt im Faltinstrument sitzt (Inserters muss im Faltinstrument eingerastet sein).
3. Drücken Sie das Faltinstrument mit zwei Fingern zusammen (Abb. 4).
4. Bringen Sie den Ladetubus bei weiterhin zusammengedrücktem Faltinstrument an und drehen Sie den Ladetubus so lange, bis er in seiner Position einrastet (Abb. 5). (n. z. für Einsetzen mit Capsule).

Laden

5. Drücken Sie den Inserters nach vorne, bis die Stimmprothese auf den sichtbaren Ring am Ladetubus ausgerichtet ist (Abb. 6). (n.z. für Einsetzen mit Capsule).

Alte Stimmprothese entfernen

6. Entfernen Sie die derzeitige (alte) Stimmprothese aus der tracheo-ösophagealen Punktion, indem Sie sie mit einer ungezahnten Klemme herausziehen. Alternativ kann der Tracheal-Flansch der Prothese im Ermessen des Arztes mit einer Zange gefasst und abgeschnitten werden. Der Rest der Prothese kann anschließend in den Ösophagus geschoben werden, sodass er durch den Darmtrakt transportiert und ausgeschieden wird. Vor dem Gebrauch dieser Methode ist die Krankengeschichte des Patienten auf jegliche Darmerkrankungen zu prüfen.

Punktion vorbereiten (optional)

7. Die Punktion kann geweitet werden, um diese auf das Einsetzen der Stimmprothese vorzubereiten. In der Regel besteht dafür keine Notwendigkeit. Jedoch kann eine Dilatation das Einsetzen der Prothese bei Patienten mit zu engen Punktionen, vereinfachen.

2.3 Einsetzen – anterograde Prothesenwechsel

Eine Provox Vega Stimmprothese kann auf viererlei Weise mit dem Provox Insertion System eingesetzt werden. Der Arzt wählt die entsprechende Methode nach eigenem Ermessen aus.

- 2.3.1 Einsetzen mit System: Hierbei wird das gesamte Insertion System verwendet.
- 2.3.2 Einsetzen mit Tubus: Hierbei wird das Faltinstrument vor dem Einsetzen entfernt.
- 2.3.3 Einsetzen mittels Overshooting: Hierbei wird die komplette Stimmprothese im Ösophagus entfaltet und anschließend in die beabsichtigte Position zurückgezogen.
- 2.3.4 Einsetzen mit Capsule: Hierbei wird die Stimmprothese vor dem Einsetzen in eine Provox Capsule eingesetzt.

2.3.1 Methode 1: Einsetzen mit System

1. Sondieren der tracheo-ösophagealen Punktion

Halten Sie das Provox Insertion System mit einer Hand am Ladetubus fest. Führen Sie die Spitze des Ladetubus in die Punktion ein. Fahren Sie mit Bedacht fort, wenn Sie einen Widerstand spüren sollten. Sollte ein Widerstand zu spüren sein, können eine Dilatation und/oder Lubrikation das Einsetzen vereinfachen.

2. Stimmprothese einsetzen

Halten Sie den Ladetubus mit einer Hand stabil in dieser Position und drücken Sie den Inserters mit der anderen hinein, bis die Pfeile an der distalen Grifffläche bündig mit der unteren Kante des Faltinstruments abschließen (Abb. 7). Der ösophageale Flansch der Stimmprothese wird nun vollständig im Ösophagus entfaltet.

3. Stimmprothese lösen

Ziehen Sie Ladetubus und Faltinstrument gemeinsam und gerade aus der Punktion heraus. Die Stimmprothese verbleibt in der Punktion und ist noch immer fest am Inserters angebracht.

4. Eingriff abschließen

Schließen Sie den Eingriff nach dem Einsetzen wie in Abschnitt 2.5 beschrieben ab.

2.3.2 Methode 2: Einsetzen mit Tubus

Um eine bessere Sichtbarkeit zu gewährleisten, kann das Faltinstrument entfernt werden, sobald die Prothese in den Ladetubus geschoben wurde.

Hinweis: Beim Einsetzen der Prothese muss das Provox Insertion System stets mit angebrachtem Faltinstrument verwendet werden, um sicherzustellen, dass der ösophageale Flansch korrekt gefaltet wird.

1. Faltinstrument entfernen

Lösen Sie das Faltinstrument, indem Sie es entschärfen und vom Ladetubus trennen (Abb. 8).

2. Sondieren der tracheo-ösophagealen Punktion

Halten Sie das Provox Insertion System mit einer Hand am Ladetubus fest. Führen Sie die Spitze des Ladetubus in die Punktion ein. Fahren Sie mit Bedacht fort, wenn Sie einen Widerstand spüren sollten. Sollte ein Widerstand zu spüren sein, können eine Dilatation und/oder Lubrikation das Einsetzen vereinfachen.

3. Stimmprothese einsetzen

Drücken Sie den Inserters mit der anderen Hand in den Ladetubus hinein, bis die Pfeile an der proximalen Grifffläche bündig mit dem Ladetubus abschließen (Abb. 9).

Der ösophageale Flansch der Stimmprothese wird nun vollständig im Ösophagus entfaltet.

4. **Stimmprothese lösen**

Halten Sie den Ladetubus mit einer Hand und den Inserter mit der anderen Hand fest. Ziehen Sie sowohl Ladetubus als auch Inserter zurück, bis der ösophageale Flansch die vordere ösophageale Wand spürbar erreicht hat. Lassen Sie anschließend den Inserter los und ziehen Sie den Ladetubus gerade aus der Punktion. Dadurch wird der Tracheal-Flansch freigegeben.

Hinweis: Wenn der Tracheal-Flansch sich im Ösophagus entfaltet (unbeabsichtigtes Overshooting), den Tracheal-Flansch mit einer ungezahnten Klemme greifen und die Stimmprothese in die richtige Position ziehen/drehen.

5. **Eingriff abschließen**

Schließen Sie den Eingriff nach dem Einsetzen wie in Abschnitt 2.5 beschrieben ab.

2.3.3 Methode 3: Einsetzen mittels Overshooting

Provox Vega Stimmprothesen werden gelegentlich bei schwierigen tracheo-ösophagealen Punktionen mittels Overshooting eingesetzt, um sicherzustellen, dass der ösophageale Flansch sich vollständig im Ösophagus entfaltet.

1. **Faltinstrument entfernen (optional)**

Nachdem die Prothese in den Ladetubus geschoben wurde, entfernen Sie das Faltinstrument, indem Sie es entschleunern und vom Ladetubus trennen (Abb. 8).

2. **Sondieren der tracheo-ösophagealen Punktion**

Halten Sie das Provox Insertion System mit einer Hand am Ladetubus fest. Führen Sie die Spitze des Ladetubus in die Punktion ein. Fahren Sie mit Bedacht fort, wenn Sie einen Widerstand spüren sollten. Sollte ein Widerstand zu spüren sein, können eine Dilatation und/oder Lubrikation das Einsetzen vereinfachen.

3. **Stimmprothese einsetzen**

Halten Sie den Ladetubus mit einer Hand stabil in Position und schieben Sie den Inserter mit der anderen Hand über die proximale Grifffläche hinaus (Abb. 10). Die Stimmprothese wird nun vollständig im Ösophagus entfaltet (Abb. 11).

Wenn das Faltinstrument beim Einsetzen mittels Overshooting noch angebracht ist, muss der Inserter über die distale Grifffläche hinaus geschoben werden. Die Stimmprothese wird nun vollständig im Ösophagus entfaltet (Abb. 12).

4. **Stimmprothese lösen**

Ziehen Sie den Ladetubus gerade aus der Punktion heraus. Die Prothese verbleibt im Ösophagus und ist noch immer fest am Inserter angebracht. Greifen Sie den Tracheal-Flansch mit einer ungezahnten Klemme und ziehen/drehen Sie die Stimmprothese in die korrekte Position.

5. **Eingriff abschließen**

Schließen Sie den Eingriff nach dem Einsetzen wie in Abschnitt 2.5 beschrieben ab.

2.3.4 Methode 4: Einsetzen mit Capsule

Verwendungszweck

Provox Capsule ist ein Einweg-Zubehör zum anterograden Einsatz einer Standard-Stimmprothese durch einen Arzt in die tracheoösophageale Punktion eines laryngektomierten Patienten.

Produktbeschreibung

Provox Capsule wird aus einem wasserlöslichen Material pflanzlichen Ursprungs hergestellt und ist für drei verschiedene Durchmesser der Stimmprothesen (17, 20 und 22,5 Fr.) erhältlich.

WARNUNG

- Achten Sie immer darauf, dass die Stimmprothese vor dem Einführen richtig gefaltet und ordnungsgemäß in die Provox Capsule eingesetzt wird. Wenn sich die Provox Capsule vorzeitig löst, könnte sie eingeatmet werden. Beachten Sie, dass Gleitmittel die Stabilität der Capsule beeinträchtigen können.
- Verwenden Sie Provox Capsule nicht, wenn der Verdacht einer Kontamination besteht.
- Verwenden Sie Provox Capsule nicht, wenn die Verpackung oder die Kapseln beschädigt sind.
- Vergewissern Sie sich, dass die Stimmprothese nach dem Einführen in die tracheoösophageale Punktion funktionsfähig ist. Beachten Sie nach dem Einführen immer die Sicherheitshinweise in der Gebrauchsanweisung der Stimmprothese.

VORSICHTSMASSNAHMEN

- Verwenden Sie keine scharfen Gegenstände, um den ösophagealen Flansch in die Provox Capsule einzuführen, da dies die Stimmprothese beschädigen könnte.
- Verwenden Sie nur eine Provox Capsule gleicher Größe oder eine größere als der Durchmesser der Stimmprothese.

Das Faltinstrument des Provox Insertion System kann verwendet werden, um den ösophagealen Flansch einer Provox Vega Stimmprothese in eine Provox Capsule* zu falten. Bei diesem Verfahren kommt der Ladetubus nicht zum Einsatz.

1. **Prothese in die Provox Capsule einsetzen**

Werfen Sie den langen Teil der Provox Capsule und verwenden Sie den kurzen Teil zum Einsatz. Drücken Sie das Faltinstrument mit zwei Fingern zusammen und setzen Sie die Kapsel in die Öffnung des Faltinstruments ein (Abb. 13). Halten Sie das Faltinstrument auch weiterhin zusammen und drücken Sie dabei die Kapsel mit dem Zeigefinger nieder (Abb. 14). Alternativ können Sie das Faltinstrument auch mithilfe von Provox TwistLock zusammenzuhalten. Drücken Sie den Inserter kräftig nach vorne. Dadurch wird der ösophageale Flansch der Stimmprothese in die Kapsel geladen.

2. **Korrekten Sitz in der Kapsel prüfen**

Die Stimmprothese ist nun in die Provox Capsule geladen und das Faltinstrument kann vom Inserter entfernt werden. Vergewissern Sie sich, dass der ösophageale Flansch

sich im Inneren der Kapsel befindet (Abb. 15). Wenn die Stimmprothese nicht korrekt gefaltet wurde, sollte der Ladevorgang mit einer neuen Provox Capsule wiederholt werden. Achten Sie darauf, dass der Sicherheitsfaden der Stimmprothese an dem für das Einführen der Prothese in die Punktion vorgesehenen Inserter befestigt ist.

3. Entfernen Sie die alte Stimmprothese und bereiten Sie die tracheoösophageale Punktion vor (siehe Abschnitt 2.2 Punkte 6 und 7).
4. **Führen Sie die Kapsel in die Punktion ein**
Halten Sie die Stimmprothese in einer vollständig eingeführten Position, bis sich die Provox Capsule aufgelöst hat und der ösophageale Flansch vollständig entfaltet ist. Ziehen Sie leicht am Sicherheitsfaden der Stimmprothese, um sicherzugehen, dass sie sich in der richtigen Position befindet.
5. **Stimmprothese lösen**
Entfernen Sie den Inserter aus der Stimmprothese. Die Stimmprothese verbleibt in der Punktion.
6. **Eingriff abschließen**
Schließen Sie den Eingriff nach dem Einsetzen wie in Abschnitt 2.5 beschrieben ab.

* Nicht in allen Ländern erhältlich.

2.4 Zusammenbau und erneutes Laden des Provox Insertion System

Wenn die Provox Vega sich nicht beim ersten Mal in die tracheo-ösophageale Punktion einsetzen ließ, kann die Stimmprothese noch einmal in das Provox Insertion System geladen werden.

Stimmprothese platzieren

1. Setzen Sie die Stimmprothese mit der trachealen Seite nach unten auf den Inserter.
2. Bringen Sie den Sicherheitsfaden an, indem Sie ihn von beiden Seiten durch den Befestigungsschlitz führen.
3. Vergewissern Sie sich, dass die Stimmprothese korrekt und fest auf dem Inserter sitzt. Die Spitze des Inserters muss dabei bis zum Anschlag in den blauen Ring der Stimmprothese ragen (Abb. 3).

Faltinstrument anbringen

4. Führen Sie den Inserter durch die Öffnung im Faltinstrument, bis er einrastet. Ziehen Sie am Stift, bis der Stift im Faltinstrument einrastet (Abb. 16). Das Provox Insertion System kann nun vorbereitet werden. Fahren Sie mit der Vorbereitung wie in Abschnitt 2.2 beschrieben fort.

VORSICHT: Den Ladevorgang nicht mehr als zweimal wiederholen. Wenn die Provox Vega Stimmprothese jegliche Schäden aufweist, darf sie nicht verwendet werden.

2.5 Abschluss des Eingriffes

Nach dem Einsetzen:

Auf korrekten Sitz kontrollieren

1. Kontrollieren Sie die korrekte Position der Stimmprothese, indem Sie sachte am Inserter drehen und ziehen (Abb. 17). Die Prothese sitzt ideal, wenn der Sicherheitsfaden nach unten zeigt.

Ordnungsgemäße Funktionsweise prüfen

2. Führen Sie die Bürste Provox Brush wie bei der Reinigung in die Provox Vega ein und wieder heraus. Die ordnungsgemäße Funktionsweise der Prothese kann kontrolliert werden, indem der Patient darum gebeten wird, zu sprechen. Zudem dürfen keinerlei Undichtigkeiten zu beobachten sein, wenn der Patient Wasser trinkt (Abb. 18).

Sicherheitsfaden abschneiden

3. Nachdem Sie den korrekten Sitz der Stimmprothese sichergestellt haben, schneiden Sie den Sicherheitsfaden so ab, dass er bündig mit dem Tracheal-Flansch abschließt (Abb. 19). Die Provox Vega Stimmprothese kann nun verwendet werden.

2.6 Entsorgung

Bei der Entsorgung von benutzten Medizinprodukten immer die medizinische Praxis sowie die Vorschriften für biologisch gefährliches Material des jeweiligen Landes befolgen.

3. Wichtige Patienteninformationen

3.1 Allgemeine Informationen

Stellen Sie sicher, dass der Patient weiß, dass er sich in den folgenden Fällen an seinen Arzt wenden muss:

- Wenn Undichtigkeiten durch oder um die Prothese herum vorhanden sind (Husten und/oder Änderung der Schleimhautfarbe).
- Wenn das Sprechen erschwert ist (vermehrte Anstrengung bzw. stärker verzerrte Stimme).
- Wenn Entzündungszeichen oder Gewebeeränderungen im Punktions- oder Tracheostomabereich auftreten (Schmerzen, Rötung, Überwärmung, Schwellungen, Blutspuren an der Bürste nach deren Gebrauch).

Informieren Sie den Patienten ferner über die folgenden Punkte:

- Das Sputum kann nach einem Prothesenwechsel mit Blut versetzt sein. Dieses Blut kann vom Granulationsgewebe an den Kanten der tracheo-ösophagealen Punktion stammen.
- Der Provox Vega Plug kann verwendet werden, um Undichtigkeiten durch die Stimmprothese vorübergehend zu beheben.
- Es wird Sprachtraining mit einem geschulten Arzt oder Logopäden empfohlen, um einen optimalen Klang der Stimme, eine flüssige Sprache und eine optimale Sprachverständlichkeit zu erzielen.

3.2 Pflege der Prothese

Weisen Sie den Patienten an, wann und wie die Provox Vega Stimmprothese zu reinigen ist. Eine Reinigung der Prothese mindestens zweimal täglich kann dazu beitragen, die Nutzungsdauer des Produktes zu verlängern.

VORSICHT: Verwenden Sie bei der Reinigung der Prothese ausschließlich originales Provox-Zubehör, das für die Verwendung mit Provox Vega vorgesehen ist.

- Die Prothese sollte zweimal täglich mit der Bürste Provox Brush gebürstet werden, um Sekret und Speisereste aus der Prothese zu entfernen.
- Ein Spülen der Prothese mit Provox Flush trägt dazu bei, die Prothese von Schmutz und Sekret zu befreien und die Nutzungsdauer des Produkts zu verlängern.
Hinweis: Provox Flush ist ausschließlich für den Gebrauch durch Patienten gedacht, die gemäß Beurteilung des verschreibenden Arztes das Vermögen gezeigt haben, die Gebrauchsanweisung ohne Aufsicht des Arztes eigenständig nachvollziehen und konsequent befolgen zu können.
- Bestimmte Ernährungsweisen wie der tägliche Verzehr von Joghurt oder Buttermilch mit Laktobazillen gelten als hilfreiches Mittel, um einem übermäßigen Hefewachstum vorzubeugen.

Ausführlichere Informationen zur Reinigung der Provox Vega Stimmprothese sind den Gebrauchsanweisungen für jedes Zubehörprodukt zu entnehmen.

4. Zusätzliche Informationen

4.1 Die Vereinbarkeit des Produktes mit MRT- und Röntgenuntersuchungen sowie Strahlentherapien

Provox Stimmprothesen wurden eingehend getestet und als mit Kernspintomografien (getestet bis 3 Tesla), Röntgenuntersuchungen und Strahlentherapien (getestet bis 70 Gy) vereinbar befunden. Die Prothese kann während der Untersuchung bzw. Therapiesitzung in der tracheo-ösophagealen Punktion verbleiben. Es ist zu beachten, dass der röntgendichte Ventilsitz im Röntgenbild sichtbar ist.

4.2 Nutzungsdauer des Produkts

Abhängig von den individuellen biologischen Bedingungen schwankt die Nutzungsdauer des Produkts und es ist nicht möglich, die Integrität des Produkts für einen längeren Zeitraum vorherzusagen. Das Material des Produkts wird durch Bakterien und Hefen beeinträchtigt und die strukturelle Integrität des Produkts wird möglicherweise nachlassen.

Gebrauchssimulationen im Rahmen von Labortests, die über einen Zeitraum von 12 Monaten durchgeführt wurden, zeigen, dass das Produkt bei Abwesenheit von Bakterien und Hefen seine strukturelle Integrität für diesen Zeitraum bewahrt. Das Produkt wurde nicht für eine Nutzungsdauer getestet, die über 12 Monate hinausgeht. Eine Verwendung über diese Grenze hinaus liegt im Ermessen des Verordners.

4.3 Vereinbarkeit mit Antimykotika

In Labortests konnte nachgewiesen werden, dass der Einsatz der Antimykotika Nystatin, Fluconazol und Miconazol die Funktion der Provox Vega Stimmprothese und ihrer Komponenten nur unwesentlich negativ beeinflusst.

5. Meldung

Bitte beachten Sie, dass alle schwerwiegenden Vorfälle, die sich im Zusammenhang mit dem Produkt ereignet haben, dem Hersteller sowie den nationalen Behörden des Landes gemeldet werden müssen, in dem der Benutzer und/oder der Patient ansässig ist.

NEDERLANDS

Provox Vega

1. Algemene informatie

1.1 Indicaties voor gebruik

De Provox Vega XtraSeal stemprothese is een steriele permanente stemprothese voor eenmalig gebruik bedoeld voor stemrevalidatie na chirurgische verwijdering van de larynx (laryngectomie). Reiniging van de stemprothese wordt uitgevoerd door de patiënt terwijl de prothese in situ blijft.

Het Provox Insertion System is een steriel hulpmiddel voor eenmalig gebruik voor anterograde vervanging van de Provox Vega stemprothese. Deze vervangingsprocedure wordt uitgevoerd door een arts of specialist verpleegkundige.

Het Provox Insertion System is niet bedoeld voor gebruik voor het inbrengen van een stemprothese in een zojuist uitgevoerde punctie.

1.2 Productbeschrijving

Algemeen

De Provox Vega is een eenrichtingsklep (prothese) die een tracheo-oesofageale punctie openhoudt voor spraak en tegelijk de kans verkleint dat vloeistof of voedsel in de trachea komt. De Provox Vega stemprothese is geen permanent implantaat en dient periodiek te worden vervangen. De prothese (afbeelding 1) is verkrijgbaar in verschillende diameters en diverse lengtes. Het hulpmiddel is gemaakt van siliconenrubber van medische kwaliteit en fluorkunststof.

Provox Vega pakket

Het Provox Vega pakket bevat de volgende onderdelen:

- 1 Provox Vega stemprothese vooraf aangebracht in een Insertion System voor eenmalig gebruik, steriel (afbeelding 2)
- 1 Provox Brush van een maat passend bij de stemprothese, niet-steriel
- 1 Provox Vega gebruiksaanwijzing voor de behandelaar
- 1 Provox Vega gebruiksaanwijzing voor patiënt
- 1 gebruiksaanwijzing voor de Provox Brush

1.3 CONTRA-INDICATIES

Er zijn geen contra-indicaties bekend in verband met het gebruik of de vervanging van de Provox Vega stemprothese bij patiënten die al gebruikmaken van stemvalidatie met een prothese.

1.4 WAARSCHUWINGEN

- **De Provox Vega stemprothese kan losraken of uit de tracheo-oesofageale punctie worden gedreven**, waarna ingestie, aspiratie of weefselschade kan optreden. Een vreemd voorwerp in de luchtweg kan ernstige complicaties veroorzaken zoals ademhalingsproblemen en/of ademstilstand.
- **Selecteer de juiste maat voor de prothese**. Een strakke pasvorm kan weefselnecrose en extrusie veroorzaken.
- **De patiënt moet onmiddellijk een arts raadplegen** bij tekenen van weefseloedeem en/of ontsteking/infectie.
- **Instrueer de patiënt om een arts te raadplegen** als sprake is van lekkage door of rond de stemprothese. Lekkage kan longontsteking door aspiratie veroorzaken.
- **Kies, indien deze worden gebruikt, laryngectomiecanules of stomabuttons** met een geschikte vorm die geen druk uitoefenen op de prothese en tijdens het inbrengen en verwijderen van de laryngectomie canule of stomabutton niet achter de tracheale flens kunnen blijven haken. Dit kan leiden tot ernstige weefselschade en/of onbedoelde ingestie van de prothese.
- **Instrueer de patiënt om voor het onderhoud uitsluitend originele Provox-accessoires** (Brush, Flush, Plug) van een passende maat te gebruiken en verder elke vorm van manipulatie van de stemprothese te vermijden.
- **Hergebruik en herverwerking** kan kruisbesmetting en schade aan het hulpmiddel veroorzaken, met als mogelijk gevolg letsel van de patiënt.

1.5 VOORZORGSMAATREGELEN

- Controleer patiënten met een bloedingstoornis of patiënten die anticoagulantia gebruiken vóór de inbrenging of vervanging van de prothese zorgvuldig op bloedingsrisico's.
- Inspecteer het pakket vóór gebruik. Gebruik het product niet als het pakket beschadigd of geopend is.
- Pas bij het hanteren van de prothese altijd aseptische technieken toe om de kans op infectie te verkleinen.

2. Gebruiksaanwijzing

2.1 De maat van de stemprothese kiezen

De juiste schachtdiameter en lengte van de vervangingsprothese kiezen

Zorg ervoor dat er een Provox Vega stemprothese met de juiste schachtdiameter en lengte wordt gebruikt. Provox Vega is beschikbaar in verschillende diameters en diverse lengtes.

- **De schachtdiameter selecteren**

De arts moet de juiste diameter van de prothese voor de patiënt bepalen.

Als de geselecteerde diameter groter is dan de diameter van de vorige prothese, moet het traject met behulp van de Provox Dilator wijder worden gemaakt om overeen te komen met de diameter van de prothese die wordt geplaatst.

Indien een prothese met een kleinere schachtdiameter wordt geplaatst, moet goed in de gaten worden gehouden of de punctie krimpt tot de juiste diameter.

- **De schachtlengte selecteren**

De huidige prothese kan als meetinstrument worden gebruikt om de juiste lengte te selecteren.

Als er te veel ruimte tussen de tracheale flens van de oude prothese en de mucosawand zit (3 mm/~0,12 inch of meer), moet een kortere prothese worden gebruikt. Als de prothese te strak zit, moet een langere prothese worden gebruikt.

2.2 Voorbereiding

(Afbeelding 3-6)

Stemprothese plaatsen

1. Zorg ervoor dat de stemprothese juist op de inbrengen wordt geplaatst en dat deze goed vast zit en plaats de prothese met behulp van de punt van de pen volledig in de blauwe ring van de stemprothese (afbeelding 3).

Oesofageale flens vouwen

2. Verifieer of de inbrengpen juist met het vouwinstrument is geplaatst (de pen wordt in het vouwinstrument geklikt).
3. Knijp het vouwinstrument met twee vingers samen (afbeelding 4).
4. Bevestig de laadbuis terwijl het vouwinstrument gesloten blijft en draai de laadbuis totdat deze vastklikt (afbeelding 5).
(N.v.t. voor plaatsing van een capsule)

Laden

5. Duw de inbrengpen naar voren totdat de stemprothese is uitgelijnd met de zichtbare ring op de laadbuis (afbeelding 6). (N.v.t. voor plaatsing van een capsule)

De oude stemprothese verwijderen

6. Verwijder de huidige (oude) prothese uit de tracheo-oesofageale-punctie door deze met een niet-getande vaatklem naar buiten te trekken. De tracheale flens van de prothese kan ook, naar oordeel van de arts, met een tang worden vastgepakt en worden afgeknipt. De rest van de prothese wordt vervolgens in de oesofagus geduwd en afgevoerd via het maag-darmkanaal. Er moet rekening worden gehouden met de patiëntgeschiedenis van intestinale aandoeningen voordat deze methode wordt gebruikt.

Punctie voorbereiden (optioneel)

7. De punctie kan wijder worden gemaakt voor het inbrengen van de stemprothese. Dit is doorgaans niet noodzakelijk maar kan het inbrengen vergemakkelijken bij patiënten met schuine of krappe puncties die gemakkelijk inklappen.

2.3 Inbrenging, anterograde vervangingsprocedure

Vier methoden kunnen worden gebruikt voor het inbrengen van een Provox Vega stemprothese met Provox Insertion System. De clinicus beoordeelt welke methode wordt gebruikt.

- 2.3.1 **Systeem-inbrenging:** Het gehele inbrengsysteem wordt gebruikt.
- 2.3.2 **Buisinbrenging:** Het vouwinstrument wordt verwijderd voorafgaand aan inbrenging.
- 2.3.3 **Overshoot-inbrenging:** De gehele stemprothese wordt in de oesofagus ontplooid en wordt vervolgens tot in de gewenste positie teruggetrokken.
- 2.3.4 **Capsule-inbrenging** De stemprothese wordt in een Provox Capsule ingebracht voorafgaand aan inbrenging.

2.3.1 Methode 1: Systeem-inbrenging

1. De tracheo-oesofageale-punctie binnengaan

Houd het Provox Insertion System vast aan de laadbuis. Ga de punctie binnen met de punt van de laadbuis. Ga voorzichtig te werk als weerstand wordt gevoeld. Inbrenging kan bij weerstand worden vergemakkelijkt door wijder maken en/of smering.

2. Stemprothese inbrengen

Houd de laadbuis met de ene hand stabiel en duw met de ander hand op de inbrengpen tot de pijlen bij het distale gripgedeelte gelijk liggen met de onderste rand van het vouwinstrument (afbeelding 7). De oesofageale flens van de stemprothese is nu volledige uitgevouwen in de oesofagus.

3. Stemprothese vrijgeven

Trek de laadbuis en het vouwinstrument tegelijkertijd recht uit de punctie. De stemprothese blijft in de punctie en is nog steeds stevig op de inbrengpen bevestigd.

4. De procedure voltooien

Na inbrengen, wordt de procedure voltooid zoals hieronder beschreven in paragraaf 2.5.

2.3.2 Methode 2: Buisplaatsing

Om zichtbaarheid te verbeteren kan het vouwinstrument worden verwijderd nadat de prothese in de laadbuis is geduwd.

Opmerking: Het is belangrijk altijd het Provox Insertion System te gebruiken met het vouwinstrument bevestigd wanneer de prothese wordt aangebracht om ervoor te zorgen dat de oesofageale flens juist wordt gevouwen.

1. Het vouwinstrument verwijderen

Verwijder het vouwinstrument door deze te ontgrendelen of los te koppelen van de laadbuis (afbeelding 8).

2. De tracheo-oesofageale-punctie binnengaan

Houd het Provox Insertion System vast aan de laadbuis. Ga de punctie binnen met de punt van de laadbuis. Ga voorzichtig te werk als weerstand wordt gevoeld. Inbrenging kan bij weerstand worden vergemakkelijkt door wijder maken en/of smering.

3. Stemprothese inbrengen

Duw de inbrengpen met de andere hand tot de pijlen bij het proximale gripgedeelte gelijk liggen met de laadbuis (afbeelding 9). De oesofageale flens van de stemprothese is nu volledige uitgevouwen in de oesofagus.

4. Stemprothese vrijgeven

Houd de plaatsingsbuis met de ene hand en de inbrengpen met de andere hand vast. Trek zowel de laadbuis als de inbrengpen terug totdat u voelt dat de oesofageale flens de anterieure oesofaguswand heeft bereikt. Laat de inbrengpen vervolgens los en trek de laadbuis recht uit de punctie. Hierdoor wordt de tracheale flens vrijgegeven.

Opmerking: Als de tracheale flens ontvouwt in de oesofagus of punctie (onbedoelde overshoot), pakt u de tracheale flens met een niet-getande vaatklem vast en trekt/draait u aan de stemprothese tot deze op de juiste plaats zit.

5. De procedure voltooien

Na inbrengen, wordt de procedure voltooid zoals hieronder beschreven in paragraaf 2.5.

2.3.3 Methode 3: Overshoot-inbrenging

Overshoot van de Provox Vega stemprothese wordt soms uitgevoerd om volledige ontwikkeling van de oesofageale flens te garanderen bij moeilijke tracheo-oesofageale puncties.

1. Het vouwinstrument verwijderen (optioneel)

Verwijder het vouwinstrument door deze te ontgrendelen en los te koppelen van de laadbuis (afbeelding 8) nadat de prothese in de laadbuis is geduwd.

2. De tracheo-oesofageale-punctie binnengaan

Houd het Provox Insertion System vast aan de laadbuis. Ga de punctie binnen met de punt van de laadbuis. Ga voorzichtig te werk als weerstand wordt gevoeld. Inbrenging kan bij weerstand worden vergemakkelijkt door wijder maken en/of smering.

3. Stemprothese inbrengen

Houd de plaatsingsbuis met de ene hand stabiel en duw de inbrengpen met de andere hand tot voorbij het proximale gripgedeelte (afbeelding 10). De stemprothese is nu volledig uitgevouwen in de oesofagus (afbeelding 11).

Als overshoot-inbrenging wordt uitgevoerd met aangebracht vouwinstrument, drukt u de inbrengpen voorbij het distale gripgedeelte. De stemprothese is nu volledig uitgevouwen in de oesofagus (afbeelding 12).

4. Stemprothese vrijgeven

Trek de laadbuis recht uit de punctie. De prothese blijft in de oesofagus en is nog steeds stevig op de inbrengpen bevestigd. Pak de tracheale flens vast met een niet-getande vaatklem en trek/draai aan de stemprothese tot deze op de juiste plaats zit.

5. De procedure voltooien

Na inbrengen, wordt de procedure voltooid zoals hieronder beschreven in paragraaf 2.5.

2.3.4 Methode 4: Capsule-inbrenging

Beoogd gebruik

De Provox Capsule is een accessoire voor eenmalig gebruik voor het anterograad inbrengen van een standaard stemprothese door een clinicus in de tracheo-oesofageale punctie van patiënten die een laryngectomie hebben ondergaan.

Beschrijving van het hulpmiddel

Provox Capsules zijn gemaakt van in water oplosbaar materiaal van plantaardige oorsprong. De capsules zijn verkrijgbaar voor stemprothesen van drie verschillende diameters: 17, 20 en 22,5 Fr.

WAARSCHUWINGEN

- Zorg er altijd voor dat de stemprothese juist gevouwen is en dat deze voorafgaand aan het inbrengen op correcte wijze in de Provox Capsule geplaatst is. Als de Provox Capsule vroegtijdig loslaat, kan deze worden ingeademd. Glijmiddelen kunnen de bevestiging van de capsule aantasten.
- Gebruik de Provox Capsule niet bij het vermoeden van besmetting.
- Gebruik de Provox Capsule niet indien de verpakking of capsule beschadigd lijkt te zijn.
- Controleer of de stemprothese functioneel is na inbrenging in de tracheo-oesofageale punctie. Volg na inbrenging altijd de veiligheidsvoorschriften in de gebruiksaanwijzing van de stemprothese.

VOORZORGSMAATREGELEN

- Gebruik geen scherpe voorwerpen om de oesofageale flens in de Provox Capsule te plaatsen, aangezien dit de stemprothese kan beschadigen.
- Gebruik alleen een Provox Capsule van dezelfde maat of een maat groter dan de diameter van de stemprothese.

Het vouwinstrument van het Provox Insertion System kan worden gebruikt om de oesofageale flens van een standaard Provox Vega stemprothese in een Provox Capsule* te vouwen. Bij deze procedure wordt de laadbuis niet gebruikt.

1. De prothese in de Provox Capsule inbrengen

Werp het lange gedeelte van de Provox Capsule weg en gebruik voor inbrenging het korte gedeelte. Knijp het vouwinstrument met twee vingers samen en plaats de capsule in de opening van het vouwinstrument (afbeelding 13). Houd het vouwinstrument samengeknepen en houd de capsule omlaag met de wijsvinger (afbeelding 14). Gebruik eventueel Provox TwistLock om het vouwinstrument samengeknepen te houden. Gebruik kracht om de inbrengpin naar voren te duwen. Hierdoor wordt de oesofageale flens van de stemprothese in de capsule geladen.

2. Juiste plaatsing controleren

De stemprothese is nu in de Provox Capsule geladen en het vouwinstrument kan van de inbrengpin worden verwijderd. Controleer of de oesofageale flens zich in de capsule bevindt (afbeelding 15). Als de stemprothese niet juist gevouwen is, moet het laadproces worden herhaald met een nieuwe Provox Capsule. Zorg ervoor dat het bandje van de stemprothese aan de inbrengpen bevestigd is waarmee de prothese in de punctie wordt ingebracht.

3. Verwijder de stemprothese en bereid de tracheo-oesofageale punctie voor (raadpleeg punt 6 en 7 in paragraaf 2.2).

4. Breng capsule in de punctie in

Houd de stemprothese in deze positie vast totdat de Provox Capsule opgelost is en de oesofageale flens volledig uitgevouwen is. Trek zachtjes aan het bandje van de stemprothese om te controleren of deze zich in de juiste positie bevindt.

5. Geef de stemprothese vrij

Verwijder de inbrengpin uit de stemprothese. De stemprothese blijft in de punctie.

6. De procedure voltooien

Voltooi na inbrengen de hieronder in paragraaf 2.5 beschreven procedure.

* Niet in alle landen verkrijgbaar.

2.4 Assemblage en opnieuw laden van het Provox Insertion System

Als de eerste poging om Provox Vega in de tracheo-oesofageale-punctie te plaatsen is mislukt, kan de stemprothese opnieuw in het Provox Insertion System worden geladen.

Stemprothese plaatsen

1. Plaats de stemprothese met de tracheazijde naar beneden op de inbrengpen.
2. Bevestig het veiligheidsbandje door het bandje vanaf beide kanten door de bevestigings sleuf te trekken.
3. Zorg ervoor dat de stemprothese juist op de inbrengpen wordt geplaatst en dat deze goed vast zit, en plaats de prothese met behulp van de punt van de pen volledig in de blauwe ring van de stemprothese (afbeelding 3).

Het vouwinstrument aanbrengen

4. Leid de inbrengpen door de opening van het vouwinstrument totdat het vastklikt. Trek aan de pen totdat de pen in het vouwinstrument klikt (afbeelding 16). Het Provox Insertion System is nu klaar voor voorbereiding. Ga verder met de voorbereiding zoals hierboven beschreven in paragraaf 2.2.

LET OP: Laad niet meer dan twee keer opnieuw. Als de Provox Vega stemprothese tekenen van beschadiging vertoont, mag deze niet worden gebruikt.

2.5 De procedure voltooien

Na inbrengen:

Juiste pasvorm garanderen

1. Zorg voor de juiste plaatsing van de stemprothese door de inbrengpen te draaien en voorzichtig aan de inbrengpen te trekken (afbeelding 17). De prothese bevindt zich in de ideale positie wanneer het veiligheidsbandje omlaag wijst.

Goede werking testen

2. Borstel de Provox Vega met de Provox Brush. Test de juiste werking van de prothese door de patiënt te vragen te spreken en door de prothese te observeren op lekken terwijl de patiënt water drinkt (afbeelding 18).

Het veiligheidsbandje afknippen

3. Knip het veiligheidsbandje af zodat deze gelijk is aan de tracheale flens (afbeelding 19) nadat de juiste plaatsing van de stemprothese is gecontroleerd. De Provox Vega stemprothese is nu klaar voor gebruik.

2.6 Afvoer

Volg bij het afvoeren van een gebruikt medisch hulpmiddel altijd de medische praktijk en nationale voorschriften met betrekking tot biologisch gevaar.

3. Belangrijke patiëntinformatie

3.1 Algemene informatie

Zorg ervoor dat de patiënt begrijpt dat deze contact moet opnemen met de behandelaar als:

- er lekkage optreedt via of rond de prothese (hoesten en/of kleurverandering van het slijm);
- het spreken moeilijk gaat (meer inspanning vergt en/of geforceerder klinkt);
- er tekenen van ontsteking of weefselveranderingen in het gebied van de punctie of stoma zijn (pijn, warmte, zwelling, bloedsporen op de borstel na het borstelen).

Stel de patiënt ook op de hoogte dat:

- bloedsporen in sputum kunnen worden aangetroffen na vervanging van de prothese. Dit kan afkomstig zijn van granulatieweefsel aan de rand van de tracheo-oesofageale-punctie;
- de Provox Vega Plug kan worden gebruikt om lekkage via de stemprothese tijdelijk te stoppen;
- spraaktrainingsessies met een opgeleide logopedist worden aanbevolen om optimaal stemgeluid, vloeiende spraak en optimale verstaanbaarheid te bereiken.

3.2 Onderhoud van de prothese

Instrueer de patiënt wanneer en hoe de Provox Vega stemprothese moet worden gereinigd. De prothese minstens tweemaal daags reinigen kan de levensduur van het hulpmiddel helpen verlengen.

LET OP: Gebruik bij het reinigen van de prothese alleen originele Provox-accessoires die bedoeld zijn voor gebruik met de Provox Vega.

- Het borstelen van de prothese ten minste tweemaal daags met de Provox Brush helpt om slijm en etensresten uit de prothese te verwijderen.
- Het spoelen van de prothese met de Provox Flush helpt bij het verwijderen van vuil en slijm uit de prothese, wat de levensduur van het hulpmiddel kan helpen verlengen. **Opmerking:** De Provox Flush is uitsluitend bedoeld voor eenmalig gebruik door patiënten die, naar beoordeling van de behandelaar die het hulpmiddel heeft voorgeschreven, het vermogen hebben getoond de gebruiksaanwijzing te begrijpen en consistent op te volgen zonder toezicht van een clinicus.
- Bepaalde aanpassingen in voeding, zoals de dagelijkse consumptie van yoghurt of karnemelk die lactobacillus bevatten, worden beschouwd als nuttige maatregelen tegen buitensporige groei van Candida.

Raadpleeg de instructies voor elke accessoire voor uitgebreide informatie over het reinigen van de Provox Vega.

4. Aanvullende informatie

4.1 Compatibiliteit met MRI, röntgenonderzoek en radiotherapie

Provox stemprothesen zijn getest en compatibel bevonden voor Magnetic Resonance Imaging (getest tot 3 Tesla), röntgenopnamen en radiotherapie (getest tot 70 Gy). De prothese kan gedurende onderzoeks-/behandelsessies in de tracheo-oesofageale-punctie aanwezig blijven. Let op dat de radiopake klemzitting zichtbaar is op een röntgenopname.

4.2 Levensduur van het hulpmiddel

De levensduur van het hulpmiddel varieert, afhankelijk van individuele biologische omstandigheden. Het is niet mogelijk om de integriteit van het hulpmiddel over een langere periode te voorspellen. Het materiaal van het hulpmiddel zal worden aangetast door bijvoorbeeld bacteriën en gisten, en de structurele integriteit van het hulpmiddel zal uiteindelijk verslechteren.

Uit laboratoriumonderzoek blijkt dat het hulpmiddel in afwezigheid van bacteriën en gisten zijn structurele integriteit behoudt gedurende 12 maanden van gesimuleerd gebruik. Het hulpmiddel is niet getest voor gebruik na 12 maanden. Gebruik voorbij deze grens is uitsluitend ter beoordeling door de voorschrijver.

4.3 Compatibiliteit met antimycotica

Uit laboratoriumonderzoek blijkt dat gebruik van de volgende antimycotica slechts een licht negatieve invloed heeft op de functie van de Provox Vega stemprothese en componenten: nystatine, fluconazol en miconazol.

5. Meldingen

Let op: elk ernstig incident dat zich in verband met het hulpmiddel heeft voorgedaan, moet worden gemeld aan de fabrikant en de nationale autoriteit van het land waar de gebruiker en/of de patiënt woont.

FRANÇAIS

Provox Vega

1. Description générale

1.1 Utilisation prévue

La prothèse phonatoire Provox Vega est une prothèse phonatoire (à demeure) unidirectionnelle stérile et à usage unique conçue pour la réhabilitation vocale après une ablation chirurgicale du larynx (laryngectomie). Le nettoyage de la prothèse phonatoire est effectué par le patient pendant que la prothèse reste in situ.

Le Provox Insertion System est un dispositif stérile à usage unique conçu pour le remplacement antérograde de la prothèse phonatoire Provox Vega. La procédure de remplacement est effectuée par un médecin ou un professionnel de santé formé en conformité avec les directives locales ou nationales.

Le Provox Insertion System n'est pas conçu pour être utilisé pour l'insertion d'une prothèse phonatoire dans une ponction réalisée récemment.

1.2 Description du dispositif

Généralités

La prothèse phonatoire Provox Vega est une valve (prothèse) unidirectionnelle permettant de garder la ponction trachéo-œsophagienne ouverte pour la phonation tout en diminuant le risque de pénétration de la nourriture et des fluides dans la trachée. La prothèse phonatoire Provox Vega n'est pas un implant permanent et elle nécessite un remplacement régulier. La prothèse (Fig. 1) est disponible en différents diamètres et plusieurs longueurs. Elle est en caoutchouc de silicone de qualité médicale et fluoroplastique.

Emballage Provox Vega

L'emballage Provox Vega contient les éléments suivants :

- 1 prothèse phonatoire Provox Vega pré-assemblée dans un Insertion System stérile à usage unique (Fig. 2)
- 1 brosse Provox Brush de taille correspondant à la prothèse phonatoire, non stérile
- 1 manuel du praticien Provox Vega
- 1 manuel pour le patient Provox Vega
- 1 mode d'emploi de la brosse Provox Brush

1.3 CONTRE-INDICATIONS

Il n'existe aucune contre-indication connue à l'utilisation ou au remplacement de la prothèse phonatoire Provox Vega chez les patients bénéficiant déjà de la réhabilitation vocale prothétique.

1.4 AVERTISSEMENTS

- **Le déplacement ou l'extrusion de la prothèse phonatoire Provox Vega** de la ponction trachéo-œsophagienne, ainsi que son ingestion, son aspiration ou des lésions tissulaires, peuvent survenir. Un corps étranger dans les voies aériennes peut entraîner des complications graves, telles qu'une détresse respiratoire aiguë et/ou un arrêt respiratoire.
- **Choisissez la bonne taille de prothèse.** Un ajustement trop serré peut entraîner une nécrose tissulaire et l'extrusion.
- **Indiquez au patient de consulter immédiatement un médecin** en cas de signes d'œdème et/ou d'inflammation/infection.
- **Recommandez au patient de consulter un médecin** en cas de fuite à travers ou autour de la prothèse phonatoire. Une fuite pourrait entraîner une pneumonie d'aspiration.
- **En cas d'utilisation de canules de laryngectomie ou de boutons de trachéostomie,** choisissez des dispositifs de forme adaptée qui n'exercent aucune pression sur la prothèse ou ne s'accrochent pas à la collerette trachéale de la prothèse pendant leur insertion et leur retrait. Cela pourrait entraîner des lésions tissulaires graves et/ou la prothèse pourrait être avalée accidentellement.
- **Recommandez au patient d'utiliser uniquement les accessoires Provox** d'origine de taille appropriée (brosse, poire de rinçage, bouchon) pour l'entretien et d'éviter tout autre type de manipulation.
- **La réutilisation et le retraitement** peuvent provoquer une contamination croisée ou l'endommagement du dispositif, ce qui pourrait causer préjudice au patient.

1.5 PRÉCAUTIONS

- Évaluez attentivement tout patient présentant des troubles de coagulation ou sous traitement anticoagulant pour déterminer les risques d'hémorragie, avant la mise en place ou le remplacement de la prothèse.
- Inspectez l'emballage avant utilisation. Si l'emballage est endommagé ou a été ouvert, n'utilisez pas le produit.
- Utilisez toujours une technique aseptique lors de la manipulation de la prothèse afin de réduire le risque d'infection.

2. Mode d'emploi

2.1 Sélection de la taille de la prothèse phonatoire

Sélection du diamètre et de la longueur de fût corrects de la prothèse de rechange
Veillez à utiliser une prothèse phonatoire Provox Vega du diamètre et de la longueur de fût corrects. La prothèse Provox Vega est disponible en différents diamètres et plusieurs longueurs de fût.

- **Sélection du diamètre de fût**
Le praticien doit déterminer le diamètre de prothèse adapté au patient.
Si le diamètre sélectionné est plus grand que la précédente prothèse, la ponction doit être dilatée, en utilisant le Provox Dilator, en fonction du diamètre de la prothèse insérée.
Si une prothèse avec un diamètre de fût inférieur est insérée, assurez-vous que la ponction rétrécit au diamètre approprié.
- **Sélection de la longueur de fût**
Pour sélectionner la longueur correcte, vous pouvez utiliser la prothèse actuelle comme instrument de mesure.
Si l'espace entre la collerette trachéale de l'ancienne prothèse et la paroi muqueuse est trop important (c.-à-d. 3 mm/~0,12 pouces ou plus), une prothèse plus courte doit être employée. Si l'ajustement de la prothèse est trop serré, une prothèse plus longue doit être employée.

2.2 Préparation

(Fig. 3-6)

Positionnement de la prothèse phonatoire

1. Vérifiez que la prothèse phonatoire est correctement positionnée sur la tige d'introduction, solidement fixée, et que l'extrémité de la tige est enfoncée dans l'anneau bleu de la prothèse phonatoire (Fig. 3).

Déploiement de la collerette œsophagienne

2. Vérifiez que la tige d'introduction est correctement positionnée avec le dispositif de déploiement (la tige doit être encliquetée dans le dispositif de déploiement).
3. Comprimez le dispositif de déploiement avec deux doigts (Fig. 4).
4. Fixez le tube de chargement tout en maintenant le dispositif de déploiement fermé et tournez le tube de chargement jusqu'à ce qu'il s'enclenche (Fig. 5).
(Ne s'applique pas pour l'insertion de la capsule)

Chargement

5. Poussez la tige d'introduction jusqu'à ce que la prothèse phonatoire soit alignée avec l'anneau visible du tube de chargement (Fig. 6). (Ne s'applique pas pour l'insertion de la capsule)

Retrait de l'ancienne prothèse phonatoire

6. Retirez l'actuelle (ancienne) prothèse de la ponction trachéo-œsophagienne en la tirant à l'aide d'une pince hémostatique sans griffes. Le praticien peut également choisir de saisir la collerette trachéale de la prothèse à l'aide d'une pince à préhension et de la couper. Le reste de la prothèse est ensuite enfoncé dans l'œsophage pour passer dans les voies intestinales. Les antécédents de maladies intestinales du patient doivent être pris en compte avant d'utiliser cette méthode.

Préparation de la ponction (facultatif)

7. La ponction peut être dilatée pour préparer l'insertion de la prothèse phonatoire. Cela n'est généralement pas nécessaire mais peut faciliter l'insertion de la prothèse chez les patients avec une ponction décalée ou étroite qui s'affaisse facilement.

2.3 Insertion, procédure de remplacement antérograde

Quatre méthodes peuvent être utilisées pour insérer une prothèse phonatoire Provox Vega avec le Provox Insertion System. Le choix de la méthode dépend du praticien.

- 2.3.1 Insertion du système : la totalité du système d'insertion est utilisée.
- 2.3.2 Insertion du tube : le dispositif de déploiement est retiré avant l'insertion.
- 2.3.3 Insertion par dépassement : la prothèse phonatoire est intégralement déployée dans l'œsophage, puis rétractée dans la position prévue.
- 2.3.4 Insertion de la capsule : la prothèse phonatoire est mise en place dans une capsule Provox Capsule avant son insertion.

2.3.1 Méthode 1 : Insertion du système

1. Insertion dans la ponction trachéo-œsophagienne

Maintenez le Provox Insertion System par le tube de chargement. Insérez l'extrémité du tube de chargement dans la ponction trachéo-œsophagienne. Procédez avec précaution en cas de résistance. Dans ce cas, l'insertion peut être facilitée par dilatation et/ou lubrification.

2. Insertion de la prothèse phonatoire

Maintenez le tube de chargement stable avec une main et poussez la tige d'introduction avec l'autre main jusqu'à ce que les flèches à la surface de préhension distale soient alignées avec le bord inférieur du tube de chargement (Fig. 7). À ce stade, la collerette œsophagienne de la prothèse phonatoire est intégralement déployée dans l'œsophage.

3. Libération de la prothèse phonatoire

Tirez le tube de chargement et le dispositif de déploiement ensemble tout droit hors de la ponction. La prothèse phonatoire reste dans la ponction, toujours solidement fixée à la tige d'introduction.

4. Finalisation de la procédure

Après l'insertion, finalisez la procédure comme décrit ci-dessous dans la section 2.5.

2.3.2 Méthode 2 : Insertion du tube

Pour une meilleure visibilité, le dispositif de déploiement peut être retiré une fois la prothèse enfoncée dans le tube de chargement.

Remarque : pour garantir le déploiement correct de la collerette œsophagienne, il est important de toujours utiliser le Provox Insertion System avec le dispositif de déploiement fixé lors du chargement de la prothèse.

1. Retrait du dispositif de déploiement

Pour retirer le dispositif de déploiement, déverrouillez-le et détachez-le du tube de chargement (Fig. 8).

2. Insertion dans la ponction trachéo-œsophagienne

Maintenez le Provox Insertion System par le tube de chargement. Insérez l'extrémité du tube de chargement dans la ponction trachéo-œsophagienne. Procédez avec précaution en cas de résistance. Dans ce cas, l'insertion peut être facilitée par dilatation et/ou lubrification.

3. Insertion de la prothèse phonatoire

Poussez la tige d'introduction avec l'autre main jusqu'à ce que les flèches à la surface de préhension proximale soient alignées avec le tube de chargement (Fig. 9). À ce stade, la collerette œsophagienne de la prothèse phonatoire est intégralement déployée dans l'œsophage.

4. Libération de la prothèse phonatoire

Maintenez le tube de chargement avec une main et la tige d'introduction avec l'autre main. Retirez le tube de chargement et la tige d'introduction jusqu'à ce que vous sentiez que la collerette œsophagienne a atteint la paroi antérieure de l'œsophage. Relâchez alors la tige d'introduction et tirez le tube de chargement tout droit hors de la ponction. Cela libérera la collerette trachéale.

Remarque : si la collerette trachéale se déploie à l'intérieur de l'œsophage ou de la ponction (dépassement accidentel), saisissez la collerette trachéale à l'aide d'une pince hémostatique sans griffes et tirez/faitez pivoter la prothèse phonatoire en place.

5. Finalisation de la procédure

Après l'insertion, finalisez la procédure comme décrit ci-dessous dans la section 2.5.

2.3.3 Méthode 3 : Insertion par dépassement

La prothèse phonatoire Provox Vega est parfois insérée par dépassement pour garantir le déploiement intégral de la collerette œsophagienne dans les ponctions trachéo-œsophagiennes difficiles.

1. Retrait du dispositif de déploiement (facultatif)

Une fois la prothèse enfoncée dans le tube de chargement, retirez le dispositif de déploiement en le déverrouillant et en le détachant du tube de chargement (Fig. 8).

2. **Insertion dans la ponction trachéo-œsophagienne**
Maintenez le Provox Insertion System par le tube de chargement. Insérez l'extrémité du tube de chargement dans la ponction trachéo-œsophagienne. Procédez avec précaution en cas de résistance. Dans ce cas, l'insertion peut être facilitée par dilatation et/ou lubrification.
3. **Insertion de la prothèse phonatoire**
Maintenez le tube de chargement stable avec une main et poussez la tige d'introduction avec l'autre main au-delà de la surface de préhension proximale (Fig. 10). À ce stade, la prothèse phonatoire est intégralement déployée dans l'œsophage (Fig. 11). En cas d'insertion par dépassement avec le dispositif de déploiement toujours fixé, poussez la tige d'introduction au-delà de la surface de préhension distale. À ce stade, la prothèse phonatoire est intégralement déployée dans l'œsophage (Fig. 12).
4. **Libération de la prothèse phonatoire**
Tirez le tube de chargement tout droit hors de la ponction. La prothèse reste dans l'œsophage, toujours solidement fixée à la tige d'introduction. Saisissez la collerette trachéale à l'aide d'une pince hémostatique sans griffes et tirez/faites pivoter la prothèse phonatoire en place.
5. **Finalisation de la procédure**
Après l'insertion, finalisez la procédure comme décrit ci-dessous dans la section 2.5.

2.3.4 Méthode 4 : Insertion de la capsule

Utilisation

La capsule Provox Capsule est un accessoire à usage unique destiné à permettre au praticien d'insérer de manière antérograde une prothèse phonatoire standard dans la ponction trachéo-œsophagienne d'un patient laryngectomisé.

Description du dispositif

Les capsules Provox Capsule sont constituées de matériau hydrosoluble d'origine végétale. Trois tailles sont disponibles afin de convenir aux différents diamètres des prothèses phonatoires : 17, 20 et 22,5 Fr.

AVERTISSEMENTS

- Toujours s'assurer que la prothèse phonatoire est correctement pliée et insérée dans la capsule Provox Capsule avant son insertion dans la ponction trachéo-œsophagienne. Si la capsule Provox Capsule se détache prématurément, elle peut être aspirée. Veuillez noter que les lubrifiants peuvent altérer la fixation de la capsule.
- Ne pas utiliser de capsule Provox Capsule en cas de suspicion de contamination.
- Ne pas utiliser les capsules Provox Capsule en cas d'altération de l'emballage ou des capsules.
- S'assurer que la prothèse phonatoire fonctionne une fois insérée dans la ponction trachéo-œsophagienne. Une fois la prothèse phonatoire insérée, toujours respecter les consignes de sécurité indiquées dans son mode d'emploi.

MISES EN GARDE

- Ne pas utiliser d'objets tranchants pour insérer la collerette œsophagienne dans la capsule Provox Capsule au risque d'endommager la prothèse phonatoire.
- Utiliser uniquement une capsule Provox Capsule de même taille ou d'une taille supérieure au diamètre de la prothèse phonatoire.

Le dispositif de déploiement du Provox Insertion System peut être utilisé pour déployer la collerette œsophagienne d'une prothèse phonatoire Provox Vega standard dans une capsule Provox Capsule*. Dans cette procédure, le tube de chargement n'est pas utilisé.

1. **Insertion de la prothèse dans la capsule Provox Capsule**
Jeter la partie longue de la capsule Provox Capsule et utiliser la partie courte destinée à l'insertion. Comprimez le dispositif de déploiement avec deux doigts et mettez la capsule en place dans l'ouverture du dispositif (Fig. 13). Enfoncez la capsule avec l'index tout en maintenant le dispositif de déploiement comprimé (Fig. 14). Vous pouvez également maintenir le dispositif de déploiement comprimé à l'aide du Provox TwistLock. Poussez la tige d'introduction fermement vers l'avant pour charger la collerette œsophagienne de la prothèse phonatoire dans la capsule.
2. **Vérification du chargement**
La prothèse phonatoire est maintenant chargée dans la capsule Provox Capsule et le dispositif de déploiement peut être retiré de la tige d'introduction. Assurez-vous que la collerette œsophagienne est à l'intérieur de la capsule (Fig. 15). Si la prothèse phonatoire n'est pas correctement déployée, répétez le processus de chargement avec une nouvelle capsule Provox Capsule. S'assurer que la tige de la prothèse phonatoire est fixée dans la broche d'insertion destinée à faire entrer la prothèse dans la ponction.
3. Retirez l'ancienne prothèse phonatoire et préparez la ponction trachéo-œsophagienne (voir section 2.2, points 6 et 7).
4. **Insertion de la capsule dans la ponction**
Maintenez la prothèse phonatoire insérée jusqu'à la dissolution de la capsule Provox Capsule et jusqu'à ce que la collerette œsophagienne se soit totalement dépliée. Tirer légèrement sur la tige de la prothèse phonatoire afin de vérifier qu'elle soit correctement positionnée.
5. **Libération de la prothèse phonatoire**
Retirez la tige d'introduction de la prothèse phonatoire. La prothèse phonatoire reste dans la ponction.
6. **Finalisation de la procédure**
Après l'insertion, finalisez la procédure comme décrit ci-dessous dans la section 2.5.

* Non disponible dans tous les pays.

2.4 Assemblage et rechargement du Provox Insertion System

Si la première tentative d'insertion de la prothèse phonatoire Provox Vega dans la ponction trachéo-œsophagienne a échoué, il est possible de la recharger dans le Provox Insertion System.

Positionnement de la prothèse phonatoire

1. Montez la prothèse phonatoire, côté trachéal orienté vers le bas sur la tige d'introduction.
2. Fixez la tige de sécurité en l'insérant dans la fente de fixation de chaque côté.
3. Vérifiez que la prothèse phonatoire est correctement positionnée sur la tige d'introduction, solidement fixée, et que l'extrémité de la tige est enfoncée dans l'anneau bleu de la prothèse phonatoire (Fig. 3).

Raccord du dispositif de déploiement

4. Guidez la tige d'introduction dans l'ouverture du dispositif de déploiement jusqu'à ce qu'elle s'enclenche. Tirez la tige jusqu'à ce qu'elle soit encliquetée dans le dispositif de déploiement (Fig. 16). Le Provox Insertion System est maintenant prêt pour la préparation. Continuez la préparation comme décrit ci-dessus dans la section 2.2.

MISE EN GARDE : ne rechargez pas la prothèse plus de deux fois. Si la prothèse phonatoire Provox Vega semble endommagée, ne l'utilisez pas.

2.5 Finalisation de la procédure

Après l'insertion :

Vérification de l'ajustement

1. Vérifiez que la prothèse phonatoire est correctement positionnée en faisant pivoter et en tirant doucement la tige d'introduction (Fig. 17). La prothèse est dans une position idéale lorsque la tige de sécurité pointe vers le bas.

Test du fonctionnement

2. Brossez la prothèse Provox Vega avec la brosse Provox Brush. Assurez-vous que la prothèse fonctionne correctement en demandant au patient de parler et en vérifiant qu'elle ne fuit pas lorsque le patient boit de l'eau (Fig. 18).

Sectionnement de la tige de sécurité

3. Après avoir vérifié que la prothèse phonatoire est correctement mise en place, coupez la tige de sécurité au ras de la collerette trachéale (Fig. 19). La prothèse phonatoire Provox Vega est désormais prête à être utilisée.

2.6 Élimination

Toujours respecter la pratique médicale et les réglementations nationales concernant les risques biologiques lors de la mise au rebut d'un dispositif médical usagé.

3. Informations importantes pour le patient

3.1 Généralités

Assurez-vous que le patient comprend qu'il doit contacter son praticien :

- en cas de fuites à travers ou autour de la prothèse (toux et/ou changement de couleur du mucus) ;
- si la phonation devient difficile (effort plus grand et/ou voix plus cassée) ;
- en cas de signes d'inflammation ou de modifications des tissus au niveau de la ponction ou du trachéostome (douleur, rougeur, chaleur, gonflement, traces de sang sur la brosse après le nettoyage).

Informez également le patient que :

- après le remplacement d'une prothèse, des traces de sang peuvent apparaître dans les crachats. Cela peut être dû à la formation de tissu de granulations sur les bords de la ponction trachéo-œsophagienne ;
- le bouchon Provox Vega Plug peut être utilisé pour arrêter temporairement les fuites à travers la prothèse phonatoire ;
- des sessions de formation à la phonation avec un praticien formé sont conseillées pour retrouver une voix optimale, une phonation fluide et une intelligibilité parfaite.

3.2 Entretien de la prothèse

Expliquez au patient quand et comment nettoyer sa prothèse phonatoire Provox Vega. Le fait de nettoyer la prothèse au moins deux fois par jour peut prolonger la durée de vie de la prothèse.

MISE EN GARDE : utilisez uniquement des accessoires Provox d'origine, prévus pour être utilisés avec la prothèse Provox Vega lors de son nettoyage.

- Le brossage de la prothèse deux fois par jour à l'aide de la brosse Provox Brush permet de retirer le mucus et les restes de nourriture de la prothèse.
- Le rinçage de la prothèse à l'aide de la poire de rinçage Provox Flush contribue également à nettoyer les débris et le mucus de la prothèse, ce qui permet d'augmenter la durée de vie du dispositif.

Remarque : la poire de rinçage Provox Flush est uniquement destinée à une utilisation par des patients ayant fait preuve de leur capacité à comprendre et à suivre fidèlement le mode d'emploi sans la supervision du praticien prescripteur.

- Certaines mesures diététiques, telles que la prise de yaourt ou de babeurre contenant des lactobacilles, sont considérées comme contribuant à la lutte contre une croissance excessive du candida.

Pour des informations détaillées sur le nettoyage de la prothèse Provox Vega, consultez le mode d'emploi de chaque accessoire.

4. Informations supplémentaires

4.1 Compatibilité avec un examen IRM, la radiographie et la radiothérapie

Les prothèses phonatoires Provox Vega ont été testées et jugées compatibles avec l'imagerie par résonance magnétique (testées jusqu'à 3 tesla), la radiographie et la radiothérapie (testées jusqu'à 70 Gy). Les prothèses peuvent rester dans la ponction trachéo-œsophagienne pendant l'examen/la séance de thérapie. Notez que le siège radio-opaque de la valve est visible sur les radiographies.

4.2 Durée de vie du dispositif

La durée de vie varie selon les données biologiques individuelles et il n'est pas possible de prédire l'intégrité du dispositif sur une longue période. Les matériaux du dispositif peuvent être affectés notamment par des bactéries ou des levures, ce qui peut finalement détériorer l'intégrité structurelle du dispositif.

Les tests en laboratoire d'utilisation simulée pendant une période de test de 12 mois montrent qu'en l'absence de bactéries et de levures, l'intégrité structurelle du dispositif est maintenue pendant cette période. L'utilisation du dispositif n'a pas été simulée au-delà de 12 mois. Une utilisation au-delà de cette limite engage la responsabilité exclusive du prescripteur.

4.3 Compatibilité avec des médicaments antifongiques

Les tests conduits en laboratoire ne mettent en évidence qu'une influence négative mineure sur le fonctionnement de la prothèse phonatoire Provox Vega et de ses composants, suite à l'utilisation des médicaments antifongiques suivantes : nystatine, fluconazole, miconazole.

5. Signalement

Les tests conduits en laboratoire ne mettent en évidence qu'une influence négative mineure sur le fonctionnement de la prothèse phonatoire Provox Vega et de ses composants, suite à l'utilisation des médicaments antifongiques suivantes : nystatine, fluconazole, miconazole.

ITALIANO

Provox Vega

1. Informazioni descrittive

1.1 Uso previsto

La protesi vocale Provox Vega è una protesi fonatoria a permanenza sterile e monouso indicata per la riabilitazione vocale dopo rimozione chirurgica della laringe (laringectomia). La pulizia della protesi vocale viene effettuata dal paziente lasciandola in sede.

L'introduttore Provox Insertion System è un dispositivo sterile monouso indicato per la sostituzione anterogada della protesi vocale Provox Vega. La procedura di sostituzione viene eseguita da un medico o da personale sanitario opportunamente istruito in conformità alle linee guida locali o nazionali.

Provox Insertion System non è indicato per l'inserimento di una protesi vocale in una fistola appena eseguita.

1.2 Descrizione del dispositivo

Informazioni generali

Provox Vega è una valvola monodirezionale (protesi) che utilizza una fistola TE aperta per la fonazione, riducendo al tempo stesso il rischio di ingresso di liquidi e cibo nella trachea. La protesi vocale Provox Vega non costituisce un impianto permanente e richiede sostituzioni periodiche. La protesi (Fig. 1) è disponibile in diversi diametri e lunghezze. Il dispositivo è realizzato in silicone medicale e materiale fluoroplastico.

Confezione di Provox Vega

La confezione di Provox Vega contiene i seguenti articoli:

- 1 protesi vocale Provox Vega pre-assemblata in un Insertion System (sistema di inserimento) monouso e sterile (Fig. 2)
- 1 Provox Brush (spazzolino) di misura corrispondente alla protesi vocale, non sterile
- 1 manuale per il medico di Provox Vega
- 1 manuale per il paziente di Provox Vega
- 1 Istruzioni per l'uso dello spazzolino Provox Brush

1.3 CONTROINDICAZIONI

Non sono note controindicazioni all'uso o alla sostituzione della protesi vocale Provox Vega in pazienti già sottoposti a riabilitazione vocale protesica.

1.4 AVVERTENZE

- **Lo spostamento o l'estrusione della protesi vocale Provox Vega** dalla fistola TE è una possibile evenienza che può causare ingestione, aspirazione o danni ai tessuti. La presenza di un corpo estraneo nelle vie aeree può determinare severe complicazioni quali distress respiratorio acuto e/o arresto respiratorio.
- **Scegliere una protesi di dimensioni appropriate.** Un accoppiamento stretto può causare necrosi tissutale ed estrusione.
- **Informare il paziente che deve rivolgersi immediatamente a un medico** in caso di segni di edema tissutale e/o di infiammazione/infezione.
- **Informare il paziente che deve consultare un medico** in caso di perdite attraverso o intorno alla protesi vocale. Eventuali perdite possono causare la polmonite ab ingestis.
- **Se occorre utilizzarli, scegliere cannule per laringectomia o bottoni stomali** di forma idonea affinché non esercitino pressione sulla protesi e non si aggancino alla flangia tracheale durante il loro inserimento o la loro rimozione, in quanto ciò può causare severi danni ai tessuti e/o l'ingestione accidentale della protesi.
- **Informare il paziente che per la manutenzione devono essere utilizzati solo accessori Provox originali** e di dimensioni corrispondenti (spazzolino Brush, irrigatore Flush, tappo Plug) e che deve essere evitato qualsiasi altro tipo di manipolazione.
- **Il riutilizzo e il ricondizionamento** possono causare la contaminazione incrociata e danni al dispositivo, con conseguenti possibili lesioni ai pazienti.

1.5 PRECAUZIONI

- Valutare con attenzione tutti i pazienti con problemi di coagulazione o sottoposti a terapia anticoagulante prima di posizionare o sostituire la protesi, per evitare il rischio di sanguinamento o di emorragia.
- Prima dell'uso, controllare la confezione. Se appare danneggiata o aperta non usare il prodotto.
- Usare sempre una tecnica asettica nel maneggiare la protesi per ridurre il rischio di infezione.

2. Istruzioni per l'uso

2.1 Scegliere le dimensioni della protesi vocale

Scegliere lunghezza e diametro del corpo corretti della protesi sostitutiva

Accertarsi di usare una protesi vocale Provox Vega di diametro e lunghezza del corpo appropriati. Provox Vega è disponibile in diversi diametri e lunghezze del corpo.

- **Scegliere il diametro del corpo**

Il medico deve stabilire il diametro della protesi adeguato per il paziente.

Se il diametro scelto è superiore rispetto a quello della protesi precedente, il tratto deve essere dilatato usando il Provox Dilator (dilatatore) appropriato per il diametro della protesi da inserire.

Se invece viene inserito un corpo con un diametro più piccolo, osservare e verificare che la fistola si restringa fino a raggiungere il diametro adeguato.

- **Scegliere la lunghezza del corpo**

Per scegliere la lunghezza corretta, è possibile utilizzare la protesi esistente come dispositivo di misurazione.

In presenza di uno spazio eccessivo (cioè 3 mm/~0,12 pollici o superiore) tra la flangia tracheale della vecchia protesi e la parete della mucosa, è necessario utilizzare una protesi più corta. Se l'assetto della protesi risulta troppo stretto, usare una protesi più lunga.

2.2 Preparazione

(Fig. 3-6)

Posizionare la protesi vocale

1. Verificare che la protesi vocale sia adeguatamente posizionata sul perno introduttore, saldamente collegata e con la punta del perno completamente inserita nell'anello blu della protesi vocale (Fig. 3).

Piegare la flangia esofagea

2. Verificare che il perno introduttore sia correttamente posizionato con lo strumento pieghevole (il perno deve scattare all'interno dello strumento pieghevole).
3. Chiudere lo strumento pieghevole con due dita (Fig. 4).
4. Collegare il tubo di caricamento tenendo lo strumento pieghevole chiuso e ruotandolo finché non si blocca in posizione (Fig. 5).
(ND per l'inserimento della capsula)

Caricare

5. Spingere in avanti il perno introduttore finché la protesi vocale risulta allineata con l'anello visibile sul tubo di caricamento (Fig. 6). (ND per l'inserimento della capsula)

Rimuovere la vecchia protesi vocale

6. Rimuovere l'attuale (vecchia) protesi dalla fistola TE estraendola con un emostato non dentato. In alternativa, a discrezione del medico, la flangia tracheale della protesi può essere afferrata con le pinze e tagliata. La restante parte della protesi

viene poi spinta nell'esofago per farla passare attraverso il tratto intestinale. Prima di usare questo metodo è necessario valutare l'anamnesi del paziente riguardo a eventuali patologie intestinali.

Preparare la fistola (facoltativo)

7. La fistola può essere dilatata per la preparazione all'inserimento della protesi vocale. Solitamente quest'operazione non è necessaria, ma può agevolare l'inserimento nei pazienti con fistole strette o angolate che tendono a crollare facilmente.

2.3 Inserimento, procedura di sostituzione anterogada

Per inserire la protesi vocale Provox Vega con Provox Insertion System è possibile utilizzare quattro metodi. La scelta del metodo è a discrezione del medico.

- 2.3.1 Inserimento del sistema: viene utilizzato l'intero sistema di inserimento.
- 2.3.2 Inserimento tramite tubo: lo strumento pieghevole viene rimosso prima dell'inserimento.
- 2.3.3 Inserimento tramite overshooting: l'intera protesi vocale viene dispiegata nell'esofago e poi retratta fino alla posizione desiderata.
- 2.3.4 Inserimento con capsula: la protesi vocale viene collocata in una Provox Capsule (capsula) prima dell'inserimento.

2.3.1 Metodo 1: inserimento del sistema

1. Inserire la fistola TE

Tenere il Provox Insertion System dal tubo di caricamento. Inserire la punta del tubo di caricamento all'interno della fistola. Se si incontra resistenza procedere con cautela. In caso di resistenza, l'inserimento può essere agevolato tramite dilatazione e/o lubrificazione.

2. Inserire la protesi vocale

Tenere fermo il tubo di caricamento con una mano e spingere il perno introduttore con l'altra mano finché le frecce sulla superficie ruvida distale sono a filo con il bordo inferiore dello strumento pieghevole (Fig. 7). A questo punto, la flangia esofagea della protesi vocale è completamente distesa nell'esofago.

3. Rilasciare la protesi vocale

Estrarre, insieme, il tubo di caricamento e lo strumento pieghevole dalla fistola. La protesi vocale resta nella fistola, ancora saldamente collegata al perno introduttore.

4. Finalizzare la procedura

Dopo l'inserimento, finalizzare la procedura come descritto sotto nella sezione 2.5.

2.3.2 Metodo 2: inserimento tramite tubo

Per migliorare la visibilità, dopo aver spinto la protesi nel tubo di caricamento lo strumento pieghevole può essere rimosso.

Nota: è importante usare sempre il Provox Insertion System con lo strumento pieghevole collegato quando si carica la protesi per garantire un piegamento corretto della flangia esofagea.

1. Rimuovere lo strumento pieghevole

Rimuovere lo strumento pieghevole sganciandolo e scollegandolo dal tubo di caricamento (Fig. 8).

2. Inserire la fistola TE

Tenere il Provox Insertion System dal tubo di caricamento. Inserire la punta del tubo di caricamento all'interno della fistola. Se si incontra resistenza procedere con cautela. In caso di resistenza, l'inserimento può essere agevolato tramite dilatazione e/o lubrificazione.

3. Inserire la protesi vocale

Spingere il perno introduttore con l'altra mano finché le frecce della superficie ruvida prossimale sono a filo con il tubo di caricamento (Fig. 9). A questo punto, la flangia esofagea della protesi vocale è completamente distesa nell'esofago.

4. Rilasciare la protesi vocale

Tenere il tubo di caricamento con una mano e il perno introduttore con l'altra. Ritirare il tubo di caricamento e il perno introduttore fino a sentire che la flangia esofagea ha raggiunto la parete esofagea anteriore. Lasciare poi andare il perno introduttore e ritirare il tubo di caricamento dalla fistola. In questo modo la flangia tracheale verrà rilasciata.

Nota: se la flangia tracheale si distende all'interno dell'esofago o della fistola (overshooting involontario), afferrarla con un emostato non dentato e spingere/ruotare la protesi vocale in sede.

5. Finalizzare la procedura

Dopo l'inserimento, finalizzare la procedura come descritto sotto nella sezione 2.5.

2.3.3 Metodo 3: inserimento tramite overshooting

Per garantire un completo sviluppo della flangia esofagea all'interno di fistole TE difficili, qualche volta si pratica l'overshooting della protesi vocale Provox Vega.

1. Rimuovere lo strumento pieghevole (facoltativo)

Dopo aver spinto la protesi nel tubo di caricamento, rimuovere lo strumento pieghevole sganciandolo e scollegandolo dal tubo di caricamento (Fig. 8).

2. Inserire la fistola TE

Tenere il Provox Insertion System dal tubo di caricamento. Inserire la punta del tubo di caricamento all'interno della fistola. Se si incontra resistenza procedere con cautela. In caso di resistenza, l'inserimento può essere agevolato tramite dilatazione e/o lubrificazione.

3. Inserire la protesi vocale

Tenere fermo il tubo di caricamento con una mano e spingere il perno introduttore con l'altra mano fino a superare la superficie ruvida prossimale (Fig. 10). A questo punto la protesi vocale è dispiegata completamente nell'esofago (Fig. 11).

Se l'inserimento con overshooting viene effettuato con lo strumento pieghevole assemblato, spingere il perno introduttore oltre la superficie ruvida distale. A questo punto la protesi vocale è dispiegata completamente nell'esofago (Fig. 12).

4. Rilasciare la protesi vocale

Estrarre il tubo di caricamento dalla fistola. La protesi resta nell'esofago, ancora saldamente collegata al perno introduttore. Afferrare la flangia tracheale con un emostato non dentato e spingere/ruotare la protesi vocale in sede.

5. Finalizzare la procedura

Dopo l'inserimento, finalizzare la procedura come descritto sotto nella sezione 2.5.

2.3.4 Metodo 4: Inserimento della capsula

Uso previsto

Provox Capsule è un accessorio monouso progettato per l'inserimento anterograde di una protesi vocale standard da parte di un medico all'interno della fistola tracheoesofagea su pazienti laringectomizzati.

Descrizione del dispositivo

Le capsule Provox Capsule sono realizzate in materiale idrosolubile di origine vegetale e disponibili in tre diametri (17, 20 e 22,5 Fr) per adattarsi a diversi tipi di protesi vocale.

AVVERTENZE

- Prima di ogni inserimento, accertarsi che la protesi vocale sia ripiegata e inserita correttamente all'interno della capsula Provox Capsule. Se la capsula Provox Capsule si distacca precocemente, potrebbe essere aspirata. Tenere presente che l'uso di lubrificanti può compromettere l'adesione della capsula.
- Non utilizzare la capsula Provox Capsule in caso di sospetta contaminazione.
- Non utilizzare la capsula Provox Capsule se la confezione o la capsula stessa sembra danneggiata.
- Accertarsi che la protesi vocale funzioni una volta inserita nella fistola tracheoesofagea. Dopo l'inserimento, attenersi alle precauzioni di sicurezza specificate nelle istruzioni per l'uso della protesi vocale.

PRECAUZIONI

- Non utilizzare oggetti taglienti per inserire la flangia esofagea nella capsula Provox Capsule poiché potrebbero danneggiare la protesi vocale.
- Utilizzare soltanto capsule Provox Capsule della stessa dimensione o di una più grande rispetto al diametro della protesi vocale.

Lo strumento pieghevole di Provox Insertion System può essere usato per piegare la flangia esofagea della protesi vocale Provox Vega all'interno di una Provox Capsule*. In questa procedura non si utilizza il tubo di caricamento.

1. Inserire la protesi nella Provox Capsule

Eliminare la parte più lunga della capsula Provox Capsule e usare quella più corta per l'inserimento. Chiudere lo strumento pieghevole con due dita e collocare la capsula nell'apertura dello strumento pieghevole (Fig. 13). Tenere unito lo strumento pieghevole, tenendo la capsula capovolta con l'indice (Fig. 14). In alternativa, usare Provox TwistLock per tenere unito lo strumento pieghevole. Spingere saldamente il perno introduttore in avanti; in questo modo si caricherà la flangia esofagea della protesi vocale nella capsula.

2. Controllare che il caricamento sia adeguato

La protesi vocale è stata caricata nella Provox Capsule e lo strumento pieghevole può essere rimosso dal perno introduttore. Controllare che la flangia esofagea sia all'interno della capsula (Fig. 15). Se la protesi vocale non è adeguatamente piegata, la procedura di caricamento deve essere ripetuta con una nuova Provox Capsule. Accertarsi che la fascetta della protesi vocale sia fissata all'introduttore progettato per l'inserimento della protesi nella fistola.

3. Rimuovere la vecchia protesi vocale e preparare la fistola TE (vedere Sezione 2.2 punti 6 e 7).

4. Inserire la capsula nella fistola

Mantenere la protesi vocale nella posizione di inserimento completo finché il dispositivo Provox Capsule non si dissolve e la flangia esofagea non è completamente distesa. Tirare leggermente la fascetta della protesi vocale per accertarsi che sia stata inserita correttamente.

5. Rilascio della protesi vocale

Rimuovere l'introduttore dalla protesi vocale. La protesi vocale resta in posizione nella fistola.

6. Finalizzare la procedura

Dopo l'inserimento, finalizzare la procedura come descritto sotto nella sezione 2.5.

* Non disponibile in tutti i Paesi.

2.4 Assemblare e ricaricare il Provox Insertion System

Se il primo tentativo di inserire la Provox Vega nella fistola TE non è riuscito, è possibile ricaricare la protesi vocale nel Provox Insertion System.

Posizionare la protesi vocale

1. Montare la protesi vocale con il lato tracheale rivolto verso il basso sulla sommità del perno introduttore.
2. Collegare la stringa di sicurezza facendola passare dall'altro lato attraverso il foro di collegamento.
3. Verificare che la protesi vocale sia adeguatamente posizionata sul perno introduttore, saldamente collegata e con la punta del perno completamente inserita nell'anello blu della protesi vocale (Fig. 3).

Collegare lo strumento pieghevole

4. Guidare il perno introduttore attraverso l'apertura dello strumento pieghevole fino a sentire uno scatto. Tirare il perno finché non scatta nello strumento pieghevole (Fig. 16). Il Provox Insertion System è ora pronto per la preparazione. Continuare la preparazione come descritto sopra nella sezione 2.2.

ATTENZIONE: non ricaricare più di due volte. Non utilizzare la protesi vocale Provox Vega se presenta segni di danneggiamento.

2.5 Finalizzare la procedura

Dopo l'inserimento:

Verificare l'adattamento

1. Verificare che la posizione della protesi vocale sia corretta ruotando e tirando delicatamente il perno introduttore (Fig. 17). La protesi è nella posizione ideale quando la stringa di sicurezza è rivolta verso il basso.

Testare la protesi vocale

2. Spazzolare la Provox Vega con il Provox Brush. Verificare l'adeguato funzionamento della protesi chiedendo al paziente di parlare e osservando che la protesi non perda quando il paziente beve acqua (Fig. 18).

Tagliare la stringa di sicurezza

3. Dopo aver verificato che la protesi vocale sia correttamente posizionata, tagliare la stringa di sicurezza in modo che sia a filo con la flangia tracheale (Fig. 19). La protesi vocale Provox Vega è ora pronta per l'uso.

2.6 Smaltimento

Attenersi sempre alle pratiche mediche e alle normative nazionali sui materiali biopericolosi per lo smaltimento di un dispositivo medico usato.

3. Informazioni importanti per il paziente

3.1 Informazioni generali

Verificare che il paziente abbia compreso che deve contattare il medico in caso di:

- Perdite perivalvolari o attraverso la protesi (tosse e/o variazione del colore del muco).
- Difficoltà di fonazione (maggiore sforzo e/o suoni vocali più deformati).
- Segni di infiammazione o di alterazione dei tessuti nella regione della fistola o dello stoma (dolore, rossore, calore, gonfiore, tracce di sangue sullo spazzolino dopo lo spazzolamento).

Informare inoltre il paziente che:

- Dopo la sostituzione di una protesi è possibile osservare tracce di sangue nell'espettorato, proveniente da tessuto di granulazione sui margini della fistola TE.
- Per arrestare temporaneamente le perdite dalla protesi vocale è possibile usare Provox Vega Plug (tappo).
- È consigliabile fare esercizi fonatori con un medico specializzato per acquisire un suono vocale ottimale, un linguaggio fluente e una intelligibilità ottimale.

3.2 Manutenzione della protesi

Spiegare al paziente quando e come pulire la propria protesi vocale Provox Vega. Pulire la protesi almeno due volte al giorno può aiutare a prolungare la durata del dispositivo.

ATTENZIONE: per la pulizia della protesi, usare solo accessori originali Provox indicati per l'uso con Provox Vega.

- Spazzolare la protesi con lo spazzolino Provox Brush due volte al giorno aiuta a rimuovere muco e residui di cibo.
- Inoltre, irrigare la protesi con Provox Flush aiuta a eliminare residui e muco dalla protesi, favorendo una maggiore durata del dispositivo.
Nota: Provox Flush è indicato per l'uso esclusivamente da parte di pazienti che, secondo la valutazione del medico che ha prescritto il dispositivo, hanno dimostrato capacità di comprensione e di attenersi costantemente alle istruzioni per l'uso senza la supervisione del medico.
- Alcuni accorgimenti dietetici, quali il consumo quotidiano di yogurt o latticello che contengono lattobacilli, sono considerati utili contro l'eccessiva crescita di Candida.

Per informazioni dettagliate su come pulire Provox Vega, consultare le istruzioni dei singoli accessori.

4. Informazioni aggiuntive

4.1 Compatibilità con RMI, raggi X e radioterapia

Le protesi vocali Provox sono state testate e sono risultate compatibili con l'imaging tramite risonanza magnetica (testate fino a 3 Tesla), raggi X e radioterapia (testate fino a 70 Gy). La protesi può essere lasciata nella fistola TE durante l'esame/ il ciclo di terapia. Si noti che il corpo valvolare radiopaco è visibile ai raggi X.

4.2 Durata del dispositivo

La durata del dispositivo varia a seconda delle singole condizioni biologiche, pertanto non è possibile prevedere la durata dell'integrità su un periodo di tempo maggiore. Il materiale del dispositivo è soggetto all'influenza di batteri e lieviti, che possono ridurre l'integrità strutturale.

Test di laboratorio di uso simulato per un periodo di 12 mesi dimostrano che, in assenza di batteri e lieviti, il dispositivo mantiene la propria integrità strutturale per questo periodo di tempo. Il dispositivo non è stato testato per l'uso superiore a 12 mesi. L'uso oltre questo limite è ad esclusiva discrezione del prescrittore.

4.3 Compatibilidad con i medicinali antifungini

Test di laboratorio dimostrano che l'uso dei seguenti farmaci antifungini ha solo effetti negativi minori sul funzionamento della protesi vocale Provox Vega e dei relativi componenti: Nystatin, Fluconazole e Mikonazol.

5. Segnalazioni

Si prega di notare che qualsiasi incidente grave verificatosi in relazione al dispositivo deve essere segnalato al fabbricante e all'autorità nazionale del Paese in cui risiede l'utilizzatore e/o il paziente.

ESPAÑOL

Provox Vega

1. Información descriptiva

1.1 Uso previsto

La prótesis de voz Provox Vega es una prótesis de voz permanente estéril de un solo uso indicada para la rehabilitación de la voz después de la extirpación quirúrgica de la laringe (laringectomía). La limpieza de la prótesis de voz la realiza el paciente mientras esta permanece colocada.

El Provox Insertion System es un dispositivo de un solo uso estéril indicado para la sustitución anterógrada de la prótesis de voz Provox Vega. Este procedimiento de sustitución lo lleva a cabo un médico o profesional médico capacitado, de acuerdo a las normas nacionales o locales.

El Provox Insertion System no está indicado para utilizarse en la inserción de una prótesis de voz en una punción reciente.

1.2 Descripción del dispositivo

General

La Provox Vega es una válvula (prótesis) de una vía que mantiene una punción traqueoesofágica (TE) abierta para el habla, a la vez que reduce el riesgo de entrada de líquidos y alimentos en la tráquea. La prótesis de voz Provox Vega no es un implante permanente y necesita sustituirse cada cierto tiempo. La prótesis (fig. 1) está disponible en distintos diámetros y varias longitudes. El dispositivo está fabricado con goma de silicona de tipo médico y fluoroplástico.

Paquete Provox Vega

El paquete Provox Vega contiene los siguientes elementos:

- 1 Prótesis de voz Provox Vega premontada en un sistema de inserción de un solo uso, estéril (fig. 2)
- 1 Provox Brush (cepillo) del tamaño correspondiente a la prótesis de voz, no estéril
- 1 Manual del médico de Provox Vega
- 1 Manual del paciente de Provox Vega
- 1 Instrucciones de uso del Provox Brush (cepillo)

1.3 CONTRAINDICACIONES

No existen contraindicaciones conocidas en el uso o sustitución de la prótesis de voz Provox Vega entre pacientes que ya utilizan rehabilitación protésica de la voz.

1.4 ADVERTENCIAS

- **Puede producirse un desplazamiento o extrusión de la prótesis de voz Provox Vega** de la punción traqueoesofágica y producirse su ingestión, aspiración o daño en los tejidos. Un cuerpo extraño en la vía respiratoria puede provocar complicaciones graves como dificultad respiratoria y/o paro respiratorio.
- **Seleccione el tamaño de prótesis adecuado.** Un ajuste ceñido puede provocar necrosis tisular y extrusión.
- **Indique al paciente que consulte a su médico** inmediatamente si se produce algún signo de edema tisular y/o inflamación/infección.
- **Solicite al paciente que consulte con un médico** si se produce una fuga a través de la prótesis de voz o a su alrededor. Las fugas pueden provocar neumonía por aspiración.
- **Si se utilizan, seleccione tubos de laringectomía o botones de estoma** con una forma adecuada que no ejerzan presión sobre la prótesis ni se enganchen a la pestaña traqueal durante la inserción o retirada del tubo de laringectomía o el botón de estoma. Esto puede provocar daños tisulares graves y/o la ingestión accidental de la prótesis.
- **Indique al paciente que utilice únicamente accesorios Provox originales** del tamaño correspondiente (Brush, Flush, Plug) para el mantenimiento y que evite cualquier otro tipo de manipulación.
- **La reutilización y el reprocesamiento** pueden provocar contaminación cruzada y el deterioro del dispositivo, lo que podría provocar lesiones al paciente.

1.5 PRECAUCIONES

- Evalúe cuidadosamente a los pacientes con trastornos hemorrágicos o a los que estén en tratamiento anticoagulante para ver el riesgo de hemorragia antes de la colocación o sustitución de la prótesis.
- Inspeccione el paquete antes de su uso. Si el paquete está dañado o abierto, no utilice el producto.
- Utilice siempre una técnica aséptica a la hora de manipular la prótesis para reducir el riesgo de infección.

2. Instrucciones de uso

2.1 Seleccionar el tamaño de la prótesis de voz

Selección del diámetro y la longitud del eje correctos de la prótesis de sustitución
Asegúrese de utilizar una prótesis de voz Provox Vega del diámetro y longitud de eje adecuados. Provox Vega está disponible en distintos diámetros de eje y en varias longitudes.

- **Selección del diámetro del eje**
El médico debe terminar el diámetro adecuado de la prótesis correcta para el paciente. Si el diámetro seleccionado es mayor que la prótesis anterior, la vía debe dilatarse mediante el Provox Dilator, correspondiente al diámetro de la prótesis que se va a insertar.
Si se inserta una prótesis con un diámetro de eje más pequeño, observe y asegúrese de que la punción se cierra hasta el diámetro correspondiente.
- **Selección de la longitud del eje**
Para seleccionar la longitud correcta, puede utilizar la prótesis actual como su propio dispositivo de medición.
Si hubiera demasiado espacio (es decir, 3 mm/~0,12 pulgadas, o más) entre la pestaña traqueal de la prótesis antigua y la pared de mucosa, deberá usarse una prótesis más corta. Si la colocación de la prótesis es demasiado justa, deberá usarse una prótesis mayor.

2.2 Preparación

(Fig. 3-6)

Colocación de la prótesis de voz

1. Asegúrese de que la prótesis de voz se coloca correctamente en la espiga de introducción, firmemente conectada, y con la punta de la espiga colocada hasta el interior del anillo azul de la prótesis de voz (fig. 3).

Doblar la pestaña esofágica

2. Verifique que la espiga de inserción está colocada correctamente con la herramienta de plegado (la espiga se encajará en la herramienta de plegado).
3. Apriete la herramienta de plegado con los dos dedos (fig. 4).
4. Conecte el tubo de carga mientras mantiene la herramienta de plegado cerrada y gira el tubo de carga hasta que queda bloqueado en su sitio (fig. 5).
(N/D para inserción de cápsula)

Cargar

5. Presione la espiga de inserción hacia adelante hasta que se alinee la prótesis de voz con el anillo visible del tubo de carga (fig. 6). (N/D para inserción de cápsula)

Retirar la prótesis de voz antigua

6. Retire la prótesis actual (antigua) de la punción traqueoesofágica (TE) tirando hacia afuera con un hemostato no dentado. De forma alternativa, a discreción del médico, la pestaña traqueal de la prótesis puede agarrarse con unas pinzas y cortarse. El resto de la prótesis se empuja hacia el interior del esófago para pasar a través de los intestinos. Debe tenerse en cuenta el historial de enfermedades intestinales del paciente antes de utilizar este método.

Preparar la punción (opcional)

7. La punción puede dilatarse para preparar la inserción de la prótesis de voz. Esto normalmente no es necesario, pero puede facilitar la inserción en pacientes con punciones en ángulo o ceñidas que pueden plegarse fácilmente.

2.3 Procedimiento de inserción y sustitución anterógrada

Pueden utilizarse cuatro métodos para insertar una prótesis de voz Provox Vega con el Provox Insertion System. La elección del método queda a discreción del médico.

- 2.3.1 Sistema de inserción: Se utiliza el sistema de inserción entero.
- 2.3.2 Inserción de tubo: La herramienta de plegado se retira antes de la inserción.
- 2.3.3 Inserción de la totalidad de la prótesis en el esófago sobrepasando la fistula (inserción con rebasamiento): Se coloca la prótesis de voz entera en el esófago y, a continuación, se repliega a la posición prevista.
- 2.3.4 Inserción de cápsula: Se coloca la prótesis de voz en una Provox Capsule antes de la inserción.

2.3.1 Método 1: Inserción del sistema

1. Introducir la punción traqueoesofágica (TE)

Sostenga el Provox Insertion System por el tubo de carga. Introduzca la punción con la punta del tubo de carga. Proceda con cuidado si encuentra resistencia. Si encuentra resistencia, la dilatación y/o lubricación pueden facilitar la inserción.

2. Insertar la prótesis de voz

Sostenga el tubo de carga de forma estable con una mano y empuje la espiga de inserción con la otra hasta que las flechas en la superficie de agarre distal estén a ras con el borde inferior de la herramienta de plegado (fig. 7). En este punto, la pestaña esofágica de la prótesis de voz está completamente desplegada en el esófago.

3. Liberar la prótesis de voz

Tire del tubo de carga y la herramienta de plegado a la vez directamente desde la punción. La prótesis de voz permanece en la punción, aún conectada firmemente a la espiga de inserción.

4. Finalizar el procedimiento

Después de la inserción, finalice el procedimiento como se describe más adelante en la sección 2.5.

2.3.2 Método 2: Inserción del tubo

Para mejorar la visibilidad, la herramienta de plegado puede retirarse cuando la prótesis se haya introducido dentro del tubo de carga.

Nota: Es importante utilizar siempre el Provox Insertion System con una herramienta de plegado conectada a la hora de cargar la prótesis para asegurar un plegado correcto de la pestaña esofágica.

1. Retirar la herramienta de plegado

Retire la herramienta de plegado desbloqueándola y desconectándola del tubo de carga (fig. 8).

2. Introducir la punción traqueoesofágica (TE)

Sostenga el Provox Insertion System por el tubo de carga. Introduzca la punción con la punta del tubo de carga. Proceda con cuidado si encuentra resistencia. Si existe resistencia, la dilatación y/o lubricación puede facilitar la inserción.

3. Insertar la prótesis de voz

Presione la espiga de inserción con la otra mano hasta que las flechas en la superficie de agarre proximal estén a ras con el tubo de carga (fig. 9). En este punto, la pestaña esofágica de la prótesis de voz está completamente desplegada en el esófago.

4. Liberar la prótesis de voz

Sostenga el tubo de carga con una mano y la espiga de inserción con la otra. Tire hacia atrás de ambos hasta que sienta que la pestaña esofágica ha alcanzado la pared esofágica anterior. A continuación, suelte la espiga de inserción y tire del tubo de carga directamente desde la punción. Esto liberará la pestaña traqueal.

Nota: Si la pestaña traqueal se despliega dentro del esófago o la punción (inserción involuntaria de la totalidad de la prótesis en el esófago sobrepasando la fistula), agarre la pestaña traqueal con un hemostato no dentado y tire/gire la prótesis de voz a su posición.

5. Finalizar el procedimiento

Después de la inserción, finalice el procedimiento como se describe más adelante en la sección 2.5.

2.3.3 Método 3: Inserción de la totalidad de la prótesis en el esófago sobrepasando la fistula (inserción con rebasamiento)

La inserción de la totalidad de la prótesis de voz Provox Vega en el esófago sobrepasando la fistula se realiza ocasionalmente para asegurar un completo desarrollo de la pestaña esofágica en punciones TE difíciles.

1. Retirar la herramienta de plegado (opcional)

Después de que la prótesis se haya introducido en el tubo de carga, retire la herramienta de plegado desbloqueándola y desconectándola del tubo de carga (fig. 8).

2. Introducir la punción traqueoesofágica (TE)

Sostenga el Provox Insertion System por el tubo de carga. Introduzca la punción con la punta del tubo de carga. Proceda con cuidado si encuentra resistencia. Si existe resistencia, la dilatación y/o lubricación puede facilitar la inserción.

3. Insertar la prótesis de voz

Sostenga el tubo de carga de forma estable con una mano y empuje la espiga de inserción con la otra hasta más allá de la superficie de agarre proximal (fig. 10). En este punto, la prótesis de voz está completamente colocada en el esófago (fig. 11). Si se realiza la inserción con rebasamiento con la herramienta de plegado montada, empuje la espiga de inserción más allá de la superficie de agarre distal. En este punto, la prótesis de voz está completamente colocada en el esófago (fig. 12).

4. Liberar la prótesis de voz

Tire del tubo de carga directamente desde la punción. La prótesis permanece en el esófago, aún conectada firmemente a la espiga de inserción. Agarre la pestaña traqueal con un hemostato no dentado y tire/gire la prótesis de voz a su lugar.

5. Finalizar el procedimiento

Después de la inserción, finalice el procedimiento como se describe más adelante en la sección 2.5.

2.3.4 Método 4: Inserción de cápsula

Indicaciones

La Provox Capsule es un accesorio de un solo uso para la inserción anterógrada de una prótesis de voz estándar por un médico en la punción traqueoesofágica de un paciente al que se ha practicado una laringectomía.

Descripción del dispositivo

La Provox Capsule está fabricada de un material soluble en agua de origen vegetal. Hay tamaños disponibles para adaptarse a tres diámetros de prótesis de voz diferentes, 17, 20 y 22,5 Fr.

ADVERTENCIAS

- Asegúrese siempre de que la prótesis de voz está plegada correctamente y se inserta debidamente en la Provox Capsule antes de la inserción. Si la Provox Capsule

se desprende de forma prematura podría aspirarse. Tenga en cuenta que los lubricantes pueden comprometer la conexión de la cápsula.

- No utilice la Provox Capsule si sospecha de la existencia de contaminantes.
- No utilice las Provox Capsules si el paquete o las cápsulas están dañados.
- Asegúrese de que la prótesis de voz funciona después de la inserción en la punción traqueoesofágica (TE). Siga siempre las precauciones de seguridad especificadas en las instrucciones de uso de la prótesis de voz después de su inserción.

PRECAUCIONES

- No utilice elementos afilados para insertar la pestaña esofágica en la Provox Capsule, ya que esto podría dañar la prótesis de voz.
- Utilice únicamente una Provox Capsule del mismo tamaño o un tamaño superior que el diámetro de la prótesis de voz.

Puede utilizarse la herramienta de plegado del Provox Insertion System para plegar la pestaña esofágica de una prótesis de voz Provox Vega estándar en una Provox Capsule*. En este procedimiento el tubo de carga no se utiliza.

1. Insertar la prótesis en la Provox Capsule

Deseche la parte larga de la Provox Capsule y utilice la parte corta para la inserción. Apriete la herramienta de plegado con los dos dedos y coloque la cápsula en la apertura de la herramienta de plegado (fig. 13). Mantenga la herramienta de plegado unida mientras sostiene la cápsula hacia abajo con el dedo índice (fig. 14). De forma alternativa, utilice el Provox TwistLock para mantener la herramienta de plegado unida. Presione la espiga de inserción firmemente hacia adelante; esto cargará la pestaña esofágica de la prótesis de voz en la cápsula.

2. Comprobar la correcta carga

La prótesis de voz ya está cargada en Provox Capsule y la herramienta de plegado puede retirarse de la espiga de inserción. Confirme que la pestaña esofágica está dentro de la cápsula (fig. 15). Si la prótesis de voz no está correctamente plegada, el proceso de carga debe repetirse con una nueva Provox Capsule. Asegúrese de que la banda de la prótesis de voz está fijada en la espiga del introductor indicada para insertar la prótesis en la punción.

- #### **3. Retire la prótesis de voz antigua y prepare la punción traqueoesofágica (TE) (véase el apartado 2.2 puntos 6 y 7).**

4. Inserte la Provox Capsule en la punción

Sostenga la prótesis de voz estando totalmente insertada hasta que la Provox Capsule se haya disuelto y la pestaña esofágica se haya desplegado por completo. Tire ligeramente de la banda de la prótesis de voz para garantizar que está en la posición correcta.

5. Libere la prótesis de voz

Retire la espiga del introductor de la prótesis de voz. La prótesis de voz permanece en la punción.

6. Finalizar el procedimiento

Después de la inserción, finalice el procedimiento como se describe más adelante en la sección 2.5.

* No disponible en todos los países.

2.4 Montaje y recarga del Provox Insertion System

Si el primer intento de inserción de la prótesis Provox Vega en la punción traqueoesofágica (TE) no fue correcto, es posible recargar la prótesis de voz en el Provox Insertion System.

Colocación de la prótesis de voz

1. Monte la prótesis de voz con el lado traqueal orientado hacia abajo sobre la parte superior de la espiga de inserción.
2. Conecte la banda de seguridad guiándola a través de la ranura de conexión en cualquier lado.
3. Asegúrese de que la prótesis de voz se coloca correctamente en la espiga de introducción, firmemente conectada y con la punta de la espiga colocada hasta el interior del anillo azul de la prótesis de voz (fig. 3).

Conectar la herramienta de plegado

4. Guíe la espiga de inserción a través de la apertura de la herramienta de plegado hasta que encaje en su lugar. Tire de la espiga hasta que esta se encaje en la herramienta de plegado (fig. 16). El Provox Insertion System ya está listo para la preparación. Continúe la preparación como se describe anteriormente en la sección 2.2.

AVISO: No recargar más de dos veces. Si la prótesis de voz Provox Vega muestra algún signo de daño, no la utilice.

2.5 Finalizar el procedimiento

Después de la inserción:

Asegurar un ajuste correcto

1. Asegure la correcta posición de la prótesis de voz girando y tirando con suavidad de la espiga de inserción (fig. 17). La prótesis estará en una posición correcta cuando la banda de seguridad apunte hacia abajo.

Probar el correcto funcionamiento

2. Cepille el Provox Vega con el Provox Brush (cepillo). Pruebe el correcto funcionamiento de la prótesis solicitando al paciente que hable y observando que la prótesis no presenta fugas cuando el paciente bebe agua (fig. 18).

Cortar la banda de seguridad

3. Después de asegurarse de que la prótesis de voz está colocada correctamente, corte la banda de seguridad para que esté a ras con la pestaña traqueal (fig. 19). La prótesis de voz Provox Vega ya está lista para su uso.

2.6 Eliminación

Al desechar un dispositivo médico usado, siga siempre la práctica médica y los requisitos nacionales sobre peligros biológicos.

3. Información importante del paciente

3.1 Información general

Asegurarse de que el paciente entiende que debe ponerse en contacto con su médico si:

- Existe una fuga a través o alrededor de la prótesis (tos y/o cambio de color de la mucosidad).
- Hablar se vuelve difícil (hay que hacer más esfuerzo y/o la voz suena más forzada).
- Hay signos de inflamación o el tejido cambia en la zona de punción o la región del estoma (dolor, rojez, calor, hinchazón, restos de sangre en el cepillo tras cepillarse).

Además, informar al paciente de que:

- Después de una sustitución de prótesis pueden encontrarse restos de sangre en los esputos. Esto puede proceder del tejido granular de los bordes de la punción traqueoesofágica.
- El Provox Vega Plug puede utilizarse para detener temporalmente la fuga a través de la prótesis de voz.
- Se aconseja asistir a sesiones de formación para el habla con un médico para obtener una inteligibilidad óptima, fluidez del habla y sonido de voz óptimo.

3.2 Mantenimiento de la prótesis

Instruya al paciente sobre cuándo y cómo debe limpiar su prótesis de voz Provox Vega. Limpiar la prótesis al menos dos veces al día puede prolongar la vida útil del dispositivo.

AVISO: Utilice únicamente accesorios Provox originales indicados para su uso con Provox Vega a la hora de limpiar la prótesis.

- Cepillar la prótesis con el Provox Brush (cepillo) dos veces al día ayudará a eliminar la mucosidad y los restos de comida de la prótesis.
- Purgar la prótesis con el Provox Flush (irrigador) también ayuda a limpiar los residuos y la mucosidad de la prótesis, lo que puede aumentar la vida útil del dispositivo.
Nota: El Provox Flush (irrigador) está indicado para utilizarse únicamente por pacientes que, evaluados por el médico que les prescribe el dispositivo, han demostrado la capacidad para comprender y seguir de forma continuada las instrucciones de uso sin la supervisión del médico.
- Algunas medidas dietéticas, como la ingesta diaria de yogur, mantequilla o leche que contengan lactobacilos, se consideran útiles contra el crecimiento excesivo de hongos.

Para obtener información detallada sobre cómo limpiar la prótesis Provox Vega, consulte las instrucciones de cada accesorio.

4. Información adicional

4.1 Compatibilidad con IRM, rayos X y radioterapia

Las prótesis de voz Provox Vega han sido probadas y se ha determinado que son compatibles con la imagen por resonancia magnética (probadas hasta 3 teslas), rayos X y terapia de radiación (hasta 70 Gy). La prótesis puede dejarse dentro de la punción TE durante la sesión de exploración/terapia. Tenga en cuenta que el asiento de la válvula radiopaca es visible mediante rayos X.

4.2 Vida útil del dispositivo

En función de las circunstancias biológicas individuales, la vida útil del dispositivo varía y no resulta posible predecir la integridad del mismo a largo plazo. El material del dispositivo resultará afectado, por ejemplo, por bacterias y hongos, y la integridad estructural llegará un momento en que se deteriore.

Las pruebas de laboratorio de uso simulado durante un periodo de prueba de 12 meses muestran que, en ausencia de bacterias y hongos, el dispositivo mantendrá su integridad estructural durante ese periodo de tiempo. El dispositivo no se ha probado para su uso más allá de los 12 meses. El uso más allá de estos límites queda bajo la responsabilidad exclusiva del médico al cargo.

4.3 Compatibilidad con medicina antifúngica

Las pruebas de laboratorio solo muestran una reducida influencia negativa en la función de la prótesis de voz Provox Vega y sus componentes cuando se utilizan los siguientes antifúngicos: nistatina, fluconazol y miconazol.

5. Notificación

Tenga en cuenta que cualquier incidente grave que se haya producido en relación con el dispositivo se comunicará al fabricante y a la autoridad nacional del país en el que resida el usuario y/o el paciente.

Provox Vega

1. Informação descritiva

1.1 Utilização prevista

A prótese fonatória Provox Vega é uma prótese fonatória interna, estéril, para uma única utilização, destinada à reabilitação da voz após a remoção cirúrgica da laringe (laringectomia). A limpeza da prótese fonatória é realizada pelo paciente com a mesma colocada.

O Provox Insertion System é um dispositivo estéril para uma única utilização, destinado à substituição anterógrada da prótese fonatória Provox Vega. Este procedimento de substituição é realizado por um médico ou profissional médico com a devida formação, de acordo com as diretrizes locais ou nacionais.

O Provox Insertion System não se destina a ser utilizado para a inserção de uma prótese fonatória numa punção recente.

1.2 Descrição do dispositivo

Disposições gerais

A Provox Vega é uma válvula unidirecional (prótese) que mantém uma punção TE aberta para falar, reduzindo, simultaneamente, o risco da entrada de fluidos e alimentos na traqueia. A prótese fonatória Provox Vega não é um implante permanente e precisa de ser substituída periodicamente. A prótese (fig. 1) está disponível em diferentes diâmetros e vários comprimentos. O dispositivo é fabricado em borracha de silicone para uso médico e fluoroplástico.

Embalagem da Provox Vega

A embalagem da Provox Vega inclui o seguinte:

- 1 prótese fonatória Provox Vega pré-montada num sistema de inserção para uma única utilização, estéril (fig. 2)
- 1 Provox Brush (escova) de tamanho correspondente à prótese fonatória, não estéril
- 1 manual do profissional de saúde da Provox Vega
- 1 manual do paciente da Provox Vega
- 1 instruções de utilização da Provox Brush

1.3 CONTRAINDICAÇÕES

Não existem contraindicações conhecidas à utilização ou substituição da prótese fonatória Provox Vega entre pacientes que já utilizam prótese para reabilitação da voz.

1.4 ADVERTÊNCIAS

- **Pode ocorrer desalojamento ou extrusão da prótese fonatória Provox Vega** da punção TE e subsequente ingestão, aspiração ou lesões nos tecidos. A presença de um corpo estranho nas vias aéreas pode provocar complicações graves como, por exemplo, dificuldade respiratória aguda e/ou paragem respiratória.
- **Selecione o tamanho correto da prótese.** Um ajuste apertado pode causar necrose tecidual e extrusão da prótese.
- **Instrua o paciente para consultar imediatamente um médico** se surgirem sinais de edema e/ou inflamação/infeção dos tecidos.
- **Instrua o paciente para consultar um médico** caso ocorram fugas através ou à volta da prótese fonatória. As fugas podem provocar pneumonia por aspiração.
- **Se utilizados, escolha tubos de laringectomia ou botões de estoma** com um formato adequado, que não exerçam pressão na prótese nem fiquem presos na flange traqueal da prótese durante a inserção e remoção da cânula de laringectomia ou do botão de estoma. Isto pode levar a uma lesão tecidual grave e/ou ingestão acidental da prótese.
- **Instrua o paciente para utilizar apenas acessórios Provox genuínos** de tamanho correspondente (Brush, Flush, Plug) para manutenção e evite todos os outros tipos de manipulação.
- **A reutilização e o reprocessamento** podem causar contaminação cruzada e danificar o dispositivo, o que poderá provocar lesões no paciente.

1.5 PRECAUÇÕES

- Avalie cuidadosamente quaisquer pacientes com coagulopatias ou submetidos a tratamento anticoagulante quanto ao risco de sangramento ou hemorragia, antes da colocação ou substituição da prótese.
- Inspeccione a embalagem antes da utilização. Não utilize o produto se a embalagem estiver danificada ou aberta.
- Utilize sempre uma técnica asséptica durante o manuseamento da prótese para reduzir o risco de infeções.

2. Instruções de utilização

2.1 Seleção do tamanho da prótese fonatória

Selecionar o diâmetro e comprimento correto da haste da prótese de substituição
Assegure-se de que utiliza uma prótese fonatória Provox Vega com uma haste de diâmetro e comprimento corretos. A Provox Vega está disponível em diferentes diâmetros da haste e vários comprimentos.

- **Selecionar o diâmetro da haste**

O profissional de saúde deve determinar o diâmetro correto da prótese adequada ao paciente.

Se o diâmetro selecionado for maior do que o da prótese anterior, é necessário dilatar o trato, utilizando o Provox Dilator (dilatador), de modo a adaptar-se ao diâmetro da prótese que está a ser inserida.

Se estiver a ser inserida uma prótese com um diâmetro de haste menor, observe e assegure-se de que a punção encolhe até ao diâmetro adequado.

- **Selecionar o comprimento da haste**

Para selecionar o comprimento correto, pode utilizar a prótese atual como o seu próprio dispositivo de medição.

Se existir demasiado espaço (ou seja, 3 mm/~0,12 polegadas, ou mais) entre a flange traqueal da prótese antiga e a parede mucosa, deve ser utilizada uma prótese mais curta. Se o encaixe da prótese for demasiado justo, deve ser utilizada uma prótese mais comprida.

2.2 Preparação

(Figura 3-6)

Posicione a prótese fonatória

1. Certifique-se de que a prótese fonatória está corretamente posicionada no pino de inserção, firmemente encaixada, e com a ponta do pino posicionada totalmente dentro do anel azul da prótese fonatória (fig. 3).

Dobre a flange esofágica

2. Verifique se o pino de inserção está corretamente posicionado com a ferramenta de dobragem (o pino deve ser encaixado na ferramenta de dobragem).
3. Una a ferramenta de dobragem, apertando-a com dois dedos (fig. 4).
4. Coloque o tubo de carregamento, mantendo a ferramenta de dobragem fechada, e rode o tubo de carregamento até o mesmo encaixar (fig. 5).
(N/A para inserção de cápsula)

Carregue

5. Empurre o pino de inserção até que a prótese fonatória esteja alinhada com o anel visível no tubo de carregamento (fig. 6). (N/A para inserção de cápsula)

Retire a prótese fonatória antiga

6. Retire a prótese atualmente em uso (antiga) da punção TE, puxando-a para fora com uma pinça hemostática sem dentes. Em alternativa, ao critério do profissional de saúde, a flange traqueal da prótese pode ser apanhada com uma pinça e cortada. O resto da prótese é então empurrada para o esófago, para passagem através do trato intestinal. Antes de utilizar este método, deve considerar o historial do paciente relativamente a quaisquer patologias intestinais.

Prepare a punção (opcional)

7. A punção pode ser dilatada como preparação para a inserção da prótese fonatória. Isto não é, normalmente, necessário, mas pode facilitar a inserção em pacientes com punções anguladas ou apertadas, que colapsam facilmente.

2.3 Inserção, procedimento de substituição anterógrada

Podem ser utilizados quatro métodos para inserir uma prótese fonatória Provox Vega com o Provox Insertion System. A seleção do método fica ao critério do profissional de saúde.

2.3.1 Inserção do sistema: É utilizado todo o sistema de inserção.

2.3.2 Inserção do tubo: A ferramenta de dobragem é retirada antes da inserção.

2.3.3 Inserção total: A prótese fonatória completa é colocada dentro do esófago e, depois, retirada até à posição pretendida.

2.3.4 Inserção da cápsula: A prótese fonatória é colocada numa Provox Capsule (cápsula) antes da inserção.

2.3.1 Método 1: Inserção do sistema

1. **Penetre na punção TE**

Segure o Provox Insertion System pelo tubo de carregamento. Penetre na punção com a ponta do tubo de carregamento. Avance com cuidado se encontrar resistência. Em caso de resistência, a dilatação e/ou lubrificação podem facilitar a inserção.

2. **Insira a prótese fonatória**

Segure e estabilize o tubo de carregamento com uma mão e empurre o pino de inserção com a outra mão, até que as setas na superfície de preensão distal estejam alinhadas com a extremidade inferior da ferramenta de dobragem (fig. 7). Neste ponto, a flange esofágica da prótese fonatória é completamente desdobrada no esófago.

3. **Liberte a prótese fonatória**

Puxe, simultaneamente, o tubo de carregamento e a ferramenta de dobragem para fora da punção. A prótese fonatória permanece na punção, ainda firmemente fixa no pino de inserção.

4. Finalize o procedimento

Após a inserção, finalize o procedimento como descrito abaixo, na seção 2.5.

2.3.2 Método 2: Inserção do tubo

Para melhorar a visibilidade, a ferramenta de dobragem pode ser retirada assim que a prótese tenha sido introduzida no tubo de carregamento.

Nota: É importante utilizar sempre o Provox Insertion System com a ferramenta de dobragem colocada, durante o carregamento da prótese, para assegurar uma dobragem adequada da flange esofágica.

1. Retire a ferramenta de dobragem

Retire a ferramenta de dobragem, desbloqueando-a e separando-a do tubo de carregamento (fig. 8).

2. Penetre na punção TE

Segure o Provox Insertion System pelo tubo de carregamento. Penetre na punção com a ponta do tubo de carregamento. Avance com cuidado se encontrar resistência. Em caso de resistência, a dilatação e/ou lubrificação podem facilitar a inserção.

3. Insira a prótese fonatória

Empurre o pino de inserção com a outra mão, até que as setas na superfície de prensão distal estejam alinhadas com o tubo de carregamento (fig. 9). Neste ponto, a flange esofágica da prótese fonatória é completamente desdobrada no esôfago.

4. Liberte a prótese fonatória

Segure o tubo de carregamento com uma mão e o pino de inserção com a outra mão. Empurre o tubo de carregamento e o pino de inserção para trás, até sentir que a flange esofágica atingiu a parede esofágica anterior. De seguida, solte o pino de inserção e puxe o tubo de carregamento diretamente para fora da punção. Isto libertará a flange traqueal.

Nota: Se a flange traqueal se desdobrar dentro do esôfago ou da punção (inserção total da prótese no esôfago não intencional), segure a flange traqueal com uma pinça hemostática sem dentes e puxe/rode a prótese fonatória até à posição adequada.

5. Finalize o procedimento

Após a inserção, finalize o procedimento como descrito abaixo, na seção 2.5.

2.3.3 Método 3: Inserção total

A inserção total da prótese fonatória Provox Vega no esôfago é, ocasionalmente, realizada, para assegurar o desenvolvimento integral da flange esofágica em punções TE difíceis.

1. Retire a ferramenta de dobragem (opcional)

Depois da prótese ter sido colocada dentro do tubo de carregamento, retire a ferramenta de dobragem, desbloqueando-a e separando-a do tubo de carregamento (fig. 8).

2. Penetre na punção TE

Segure o Provox Insertion System pelo tubo de carregamento. Penetre na punção com a ponta do tubo de carregamento. Avance com cuidado se encontrar resistência. Em caso de resistência, a dilatação e/ou lubrificação podem facilitar a inserção.

3. Insira a prótese fonatória

Segure e estabilize o tubo de carregamento com uma mão e empurre o pino de inserção com a outra mão, até que esteja para além da superfície de prensão proximal (fig. 10). Neste ponto, a prótese fonatória é totalmente colocada dentro do esôfago (fig.11).

Se a inserção total for efetuada com a ferramenta de dobragem montada, empurre o pino de inserção para além da superfície de prensão distal. Neste ponto, a prótese fonatória é totalmente colocada dentro do esôfago (fig.12).

4. Liberte a prótese fonatória

Puxe o tubo de carregamento para fora da punção. A prótese permanece no esôfago, ainda firmemente fixa no pino de inserção. Segure a flange traqueal com uma pinça hemostática sem dentes e puxe/rode a prótese fonatória até à posição adequada.

5. Finalize o procedimento

Após a inserção, finalize o procedimento como descrito abaixo, na seção 2.5.

2.3.4 Método 4: Inserção da cápsula

Utilização prevista

A Provox Capsule (cápsula) é um acessório de utilização única para inserção anterógrada de uma prótese fonatória padrão, por um profissional de saúde, na punção traqueoesofágica de um paciente laringectomizado.

Descrição do dispositivo

As Provox Capsule são fabricadas a partir de material de origem vegetal solúvel em água e os tamanhos disponíveis são adequados a três diâmetros diferentes de próteses fonatórias, 17, 20 e 22,5 Fr.

ADVERTÊNCIAS

- Assegure-se sempre de que a prótese fonatória foi corretamente dobrada e é devidamente colocada na Provox Capsule antes da inserção. Se a Provox Capsule se soltar prematuramente, poderá ser aspirada. Tenha em atenção que os lubrificantes podem comprometer a fixação da Provox Capsule.
- Não utilize a Provox Capsule, se suspeitar da existência de contaminação.
- Não utilize as Provox Capsule se a embalagem ou as cápsulas parecerem estar danificadas.
- Assegure-se de que a prótese fonatória está funcional após a inserção numa punção TE. Siga sempre as precauções de segurança especificadas nas instruções de utilização da prótese fonatória após a inserção.

PRECAUÇÕES

- Não utilize itens afiados para inserir a flange esofágica na Provox Capsule, dado que poderão danificar a prótese fonatória.
- Utilize apenas uma Provox Capsule do mesmo tamanho ou um tamanho acima do diâmetro da prótese fonatória.

A ferramenta de dobragem do Provox Insertion System pode ser utilizada para dobrar a flange esofágica de uma prótese fonatória Provox Vega padrão numa Provox Capsule*. Neste procedimento, o tubo de carregamento não é utilizado.

1. **Insira a prótese na Provox Capsule**

Deite fora a parte longa da Provox Capsule e utilize a parte curta para a inserção. Una a ferramenta de dobragem, apertando-a com dois dedos, e coloque a cápsula na abertura da ferramenta de dobragem (fig. 13). Mantenha a ferramenta de dobragem unida, ao mesmo tempo que mantém a cápsula para baixo com o dedo indicador (fig. 14). Em alternativa, utilize o Provox TwistLock para manter a ferramenta de dobragem unida. Empurre o pino de inserção firmemente para a frente; esta ação irá carregar a flange esofágica da prótese fonatória na cápsula.

2. **Verifique o correto carregamento**

A prótese fonatória está agora carregada na Provox Capsule, e a ferramenta de dobragem pode ser retirada do pino de inserção. Confirme que a flange esofágica está no interior da cápsula (fig. 15). Se a prótese fonatória não estiver corretamente dobrada, o processo de carregamento deve ser repetido com uma nova Provox Capsule. Assegure-se de que a fita da prótese fonatória está fixa ao pino do insersor destinado a inserir a prótese na punção.

3. **Retire a prótese fonatória antiga e prepare uma punção TE (consulte a secção 2.2 pontos 6 e 7).**

4. **Insira a Provox Capsule na punção**

Segure a prótese fonatória numa posição totalmente inserida, até que a Provox Capsule se tenha dissolvido e a flange esofágica se tenha desdobrado completamente. Puxe levemente a fita da prótese fonatória para confirmar que está na posição correta.

5. **Liberte a prótese fonatória**

Retire o pino de inserção da prótese fonatória. A prótese fonatória permanece na punção.

6. **Finalize o procedimento**

Após a inserção, finalize o procedimento como descrito abaixo, na secção 2.5.

* Não está disponível em todos os países.

2.4 Montagem e recarregamento do Provox Insertion System

Se a primeira tentativa de inserção da Provox Vega na punção TE não for bem sucedida, é possível recarregar a prótese fonatória no Provox Insertion System.

Posicione a prótese fonatória

1. Monte a prótese fonatória com o lado traqueal virado para baixo, sobre o pino de inserção.
2. Prenda a fita de segurança, passando-a através da ranhura de fixação, em qualquer um dos lados.
3. Certifique-se de que a prótese fonatória está corretamente posicionada no pino de inserção, firmemente encaixada, e com a ponta do pino posicionada totalmente dentro do anel azul da prótese fonatória (fig. 3).

Encaixe a ferramenta de dobragem

4. Oriente o pino de inserção através da abertura da ferramenta de dobragem até encaixar. Puxe o pino até que o mesmo fique preso na ferramenta de dobragem (fig. 16). O Provox Insertion System está agora pronto para a preparação. Prossiga com a preparação conforme descrito acima na secção 2.2.

ATENÇÃO: Não recarregue mais do que duas vezes. Se a prótese fonatória Provox Vega apresentar quaisquer sinais de danos, não a utilize.

2.5 Finalização do procedimento

Após a inserção:

Certifique-se de que existe um ajuste adequado

1. Assegure um correto posicionamento da prótese fonatória, rodando e puxando com cuidado o pino de inserção (fig. 17). A prótese está numa posição ideal quando a fita de segurança está a apontar para baixo.

Realize um teste para verificar o correto funcionamento

2. Escove a Provox Vega com a Provox Brush. Realize um teste para verificar o correto funcionamento da prótese, pedindo ao paciente para falar e observando se a prótese apresenta fugas enquanto o paciente bebe água (fig. 18).

Corte a fita de segurança

3. Depois de se certificar de que a prótese fonatória está corretamente colocada, corte a fita de segurança que está alinhada com a flange traqueal (fig. 19). A prótese fonatória Provox Vega está agora pronta para ser utilizada.

2.6 Eliminação

Cumpra sempre os requisitos nacionais e de medicina geral em matéria de perigos biológicos ao eliminar um dispositivo médico usado.

3. Informações importantes para o paciente

3.1 Informações gerais

Certifique-se de que o paciente compreende que tem de contactar o respetivo profissional de saúde se:

- Existir uma fuga através ou à volta da prótese (tosse e/ou alteração da cor das mucosidades).
- A fala se tornar difícil (maior esforço e/ou a voz parecer mais forçada).
- Existirem quaisquer sinais de inflamação ou alterações nos tecidos na área da punção ou na região do estoma (dor, vermelhidão, calor, inchaço, vestígios de sangue na escova após a escovagem).

Informe também o paciente que:

- Após a substituição de uma prótese, poderá encontrar vestígios de sangue na expetoração. Este poderá ser proveniente de tecido de granulação nas extremidades da punção TE.
- O Provox Vega Plug (tampão) pode ser utilizado temporariamente para parar as fugas através da prótese fonatória.
- Aconselha-se a frequência de sessões de terapia da fala com um profissional de saúde com formação para conseguir um som vocal ideal, uma fala fluente e uma inteligibilidade ideal.

3.2 Manutenção da prótese

Instrua o paciente sobre quando e como limpar a sua prótese fonatória Provox Vega. A limpeza da prótese, pelo menos, duas vezes por dia, pode ajudar a prolongar a vida útil do dispositivo.

ATENÇÃO: Utilize apenas acessórios Provox genuínos, concebidos para utilização com a Provox Vega, ao limpar a prótese.

- Escovar a prótese duas vezes por dia com a Provox Brush irá ajudar a remover mucosidades e restos de comida da prótese.
- Limpar a prótese com o Provox Flush (irrigador) também ajuda a eliminar detritos e mucosidades da prótese, o que pode ajudar no aumento da vida útil do dispositivo. **Nota:** O Provox Flush destina-se a ser utilizado apenas por pacientes que, após avaliação do profissional de saúde que prescreve o dispositivo, tenham demonstrado serem capazes de compreender e de seguir, de forma consistente, as instruções de utilização sem a supervisão de um profissional de saúde.
- Algumas medidas dietéticas, como a ingestão diária de iogurte ou leiteiro contendo lactobacilos, são consideradas úteis contra o crescimento excessivo do fungo *Candida*.

Consulte informações detalhadas sobre como limpar a Provox Vega nas instruções de utilização de cada acessório.

4. Informações adicionais

4.1 Compatibilidade com RM, raios X e radioterapia

As próteses fonatórias Provox Vega foram testadas e determinou-se que são compatíveis com exames de ressonância magnética (testadas até 3 Tesla), raios X e radioterapia (testadas até 70 Gy). As próteses podem permanecer na punção TE durante o exame/sessão de terapia. Observe que a sede da válvula radiopaca é visível na radiografia.

4.2 Vida útil do dispositivo

Dependendo das circunstâncias biológicas individuais, a vida útil do dispositivo varia, e não é possível prever a integridade do dispositivo durante um período de tempo mais longo. O material do dispositivo será afetado por, por exemplo, bactérias e fungos, e a integridade estrutural do dispositivo irá, eventualmente, deteriorar-se.

Testes realizados em laboratório, simulando a utilização durante um período de teste de 12 meses, demonstram que, na ausência de bactérias e fungos, o dispositivo irá manter a respetiva integridade estrutural durante este período de tempo. O dispositivo não foi testado para uma utilização superior a 12 meses. A utilização para além deste limite cabe exclusivamente ao profissional responsável pela prescrição.

4.3 Compatibilidade com medicação antifúngica

Os testes de laboratório mostram apenas uma pequena influência negativa na função da prótese fonatória Provox Vega e respetivos componentes, quando é utilizada a seguinte medicação antifúngica: niastina, fluconazol, miconazol.

5. Comunicação de incidentes

Tenha em atenção que qualquer incidente grave que tenha ocorrido, relacionado com o dispositivo, deve ser comunicado ao fabricante e à autoridade nacional do país onde o utilizador e/ou o paciente residem.

SVENSKA

Provox Vega

1. Beskrivning

1.1 Avsedd användning

Provox Vega röstventil är en steril icke återanvändbar röstventil för engångsbruk som är avsedd för röstrehabilitering efter kirurgisk borttagning av struphuvudet (laryngektomi). Rengöring av röstventilen görs av patienten medan den sitter på plats.

Provox Insertion System är en steril införingsverktyg för engångsbruk avsedd för byte av Provox Vega röstventil med användning av anterograd bytesmetod. Bytet görs av läkare eller utbildad sjukvårdspersonal enligt lokala eller nationella riktlinjer.

Provox Insertion System är inte avsedd att användas för införing av en röstventil i en nyligen gjord fistel.

1.2 Produktbeskrivning

Allmänt

Provox Vega röstventil är en envägsventil (protes) för engångsbruk som håller en TE-fistel öppen för tal samtidigt som den minskar risken för att vätska och mat kommer in i trakea (luftstrupen). Provox Vega röstventil är inte ett permanent implantat och måste bytas regelbundet. Röstventilen (fig. 1) finns tillgänglig i olika diametrar och i flera olika längder. Enheten är tillverkad av silikongummi och röntgentät fluorplast av medicinsk kvalitet.

Förpackning med Provox Vega

Förpackningen med Provox Vega innehåller följande:

- 1 Provox Vega röstventil, förmonterad i ett införingsystem för engångsbruk, steril (fig. 2)
- 1 Provox Brush (rengöringsborste) i en storlek som motsvarar röstventilen, icke-steril
- 1 läkarmanual för Provox Vega
- 1 patientmanual för Provox Vega
- 1 bruksanvisning för Provox Brush (rengöringsborste)

1.3 KONTRAINDIKATIONER

Det finns inga kända kontraindikationer för användning eller byte av Provox Vega röstventil hos patienter som redan använder röstventil i samband med röstrehabilitering.

1.4 VARNINGAR

- **Om Provox Vega röstventil rubbas eller stöts ut** ur TE-fisteln kan det resultera i nedsväljning, aspiration eller vävnadsskada. Ett främmande föremål i luftvägarna kan förorsaka svåra komplikationer, som akut andnöd och/eller andningsstillstånd.
- **Välj rätt ventilstorlek.** En alltför trång passform kan orsaka vävnadsnekros och leda till att röstventilen stöts ut.
- **Instruera patienten att rådgöra med en läkare** omedelbart om det finns några tecken på svullnad och/eller inflammation/infektion i vävnad.
- **Instruera patienten att kontakta läkare** om det uppstår läckage genom eller omkring röstventilen. Läckage kan leda till aspirationspneumoni.
- **Om laryngektomikanyler eller självhållande stomakanyler används**, välj sådana med lämplig form som inte trycker på röstventilen eller hakar i ventilens trakealfläns vid införing och borttagning av laryngektomikanylen eller den självhållande stomakanylen. Detta kan resultera i allvarlig vävnadsskada och/eller oavsiktlig nedsväljning av ventilen.
- **Instruera patienten om att endast Provox originaltillbehör** i motsvarande storlek (Provox Brush, Provox Flush, Provox Plug) ska användas för underhåll, samt att undvika alla andra former av manipulation av röstventilen.
- **Återanvändning och omarbeting** kan medföra korskontamination och skada på enheten, vilket kan resultera i patientskada.

1.5 FÖRSIKTIGHETSÅTGÄRDER

- Gör en noggrann bedömning av patienter med blödningsrubbingar eller patienter som behandlas med antikoagulantia med avseende på blödningsrisken, innan insättning eller byte av en röstventil.
- Kontrollera förpackningen före användning. Om förpackningen är skadad eller öppnad ska produkten inte användas.
- Använd alltid steril teknik vid hantering av röstventilen för att minska infektionsrisken.

2. Bruksanvisning

2.1 Välja storlek på röstventilen

Välja rätt skaftdiameter och -längd på ersättningsventilen

Använd alltid en Provox Vega röstventil med rätt skaftdiameter och -längd. Provox Vega finns tillgänglig i flera olika skaftdiametrar och -längder.

- **Välja skaftdiameter**

Läkaren ska avgöra vilken skaftdiameter för röstventilen som är lämpligast för patienten.

Om vald diameter är större än föregående röstventil måste fisteln utvidgas med hjälp av en Provox Dilator som passar för diametern på den röstventil som ska införas.

Om en röstventil med mindre diameter ska införas måste läkaren säkerställa att fisteln krymper till rätt diameter.

- **Välja skaftlängd**

För att välja rätt skaftlängd kan du använda den befintliga röstventilen som mått.

Om avståndet mellan den gamla röstventilens trakealfläns och slemhinneväggen är större än 3 mm ska en kortare ventil användas. Om röstventilen sitter för trångt ska en längre ventil användas.

2.2 Förberedelser

(Fig. 3-6)

Placera röstventilen i rätt läge

1. Se till att röstventilen sitter rätt på införingsstiftet, att den är ordentligt fastsatt och att stiftets ände befinner sig hela vägen in i röstventilens blå ring (fig. 3).

Vik esofagealflänsen

2. Kontrollera att införingsstiftet är i rätt läge med vikverktyget (stiftet ska snäppas in på plats i vikverktyget).
3. Kläm ihop vikverktyget med två fingrar (fig. 4).
4. Sätt fast laddningsröret medan du håller vikverktyget stängt och vrid laddningsröret tills det låser i läge (fig. 5).
(Ej tillämpligt för kapselinföring)

Laddning

5. Tryck fram införingsstiftet tills röstventilen är i linje med den synliga ringen på laddningsröret (fig. 6). (Ej tillämpligt för kapselinföring)

Ta bort den gamla röstventilen

6. Avlägsna den befintliga (gamla) röstventilen från TE-fisteln genom att dra ut den med en slät peang. Alternativt kan läkaren om han föredrar gripa tag i röstventilens trakealfläns med peanger och skäras av. Resten av röstventilen trycks därefter in i esofagus (matstrupen) för passage igenom mag-tarmkanalen. Patientens historik avseende eventuell tarmsjukdom ska beaktas innan den här metoden används.

Förbereda fisteln (valfritt)

7. Fisteln kan utvidgas som förberedelse för införing av röstventilen. Det här behöver ofta inte göras, men kan underlätta införing i patienter med vinklade eller tränga fistlar som lätt kan kollapsa.

2.3 Införing, anterograd bytesmetod

Fyra olika metoder kan användas för att föra in en Provox Vega röstventil med Provox Insertion System. Det är upp till läkaren vilken metod denne vill välja.

- 2.3.1 Införing av systemet: Hela införingssystemet används.
- 2.3.2 Införing med rör: Vikverktyget tas bort före införing.
- 2.3.3 Införing med överskjutning: Hela röstventilen placeras i esofagus (matstrupen) och dras därefter tillbaka i önskat läge.
- 2.3.4 Kapselinföring: Röstventilen placeras i en Provox Capsule innan införing.

2.3.1 Metod 1: Införing av systemet

1. Införing i TE-fisteln

Håll Provox Insertion System i laddningsröret. För in laddningsrörets ände i fisteln. Var försiktig om du möter motstånd. Om du möter motstånd kan utvidgning och/eller smörjning underlätta införingen.

2. För in röstventilen

Håll laddningsröret stadigt med ena handen och tryck in införingsstiftet med den andra handen tills pilarna på den distala greppytan är i linje med vikverktygets nedre kant (fig. 7). Röstventilens esofagealfläns är nu helt utvikt i esofagus (matstrupen).

3. Lösgör röstventilen

Dra laddningsröret och vikverktyget tillsammans rakt ut ur fisteln. Röstventilen sitter kvar i fisteln och sitter fast på införingsstiftet.

4. Avsluta ingreppet

Avsluta ingreppet efter införing så som beskrivs i avsnitt 2.5 nedan.

2.3.2 Metod 2: Införing med rör

För att kunna se bättre kan vikverktyget tas bort efter att röstventilen har tryckts in i laddningsröret.

Observera! Det är viktigt att alltid använda Provox Insertion System med vikverktyget fastsatt vid laddning av röstventilen för att säkerställa att esofagealflänsen viks ut ordentligt.

1. Ta bort vikverktyget

Ta bort vikverktyget genom att låsa upp och koppla loss det från laddningsröret (fig. 8).

2. Införing i TE-fisteln

Håll Provox Insertion System i laddningsröret. För in laddningsrörets ände i fisteln. Var försiktig om du möter motstånd. Om du möter motstånd kan utvidgning och/eller smörjning underlätta införingen.

3. För in röstventilen

Tryck in införingsstiftet med den andra handen tills pilarna vid den proximala greppytan är i linje med laddningsröret (fig. 9). Röstventilens esofagealfläns är nu helt utvikt i esofagus (matstrupen).

4. Lösgör röstventilen

Håll laddningsröret med ena handen och införingsstiftet med andra handen. Dra tillbaka både laddningsröret och införingsstiftet tills du känner att esofagealflänsen har nått den främre esofagusväggen. Släpp sedan införingsstiftet och dra laddningsröret rakt ut ur fisteln. Det här lösgör trakealflänsen.

Observera! Om trakealflänsen viks ut inne i esofagus (matstrupen) eller fisteln (oavsiktlig överskjutning) griper du tag i trakealflänsen med en slät peang och drar/vridet röstventilen på plats.

5. Avsluta ingreppet

Avsluta ingreppet efter införing så som beskrivs i avsnitt 2.5 nedan.

2.3.3 Metod 3: Införing med överskjutning

Överskjutning av Provox Vega röstventil görs ibland för att säkerställa att esofagealflänsen vecklas ut helt i svåra TE-fistlar.

1. Ta bort vikverktyget (valfritt)

När röstventilen har tryckts in i laddningsröret tar du bort vikverktyget genom att låsa upp och koppla loss det från laddningsröret (fig. 8).

2. Införing i TE-fisteln

Håll Provox Insertion System i laddningsröret. För in laddningsrörets ände i fisteln. Var försiktig om du möter motstånd. Om du möter motstånd kan utvidgning och/eller smörjning underlätta införingen.

3. För in röstventilen

Håll laddningsröret stabilt med ena handen och tryck in införingsstiftet med den andra handen tills det befinner sig bortom den proximala greppytan (fig. 10). Nu är röstventilen korrekt placerad i esofagus (matstrupen) (fig. 11).

Om införing med överskjutning görs med vikverktyget monterat trycker du in införingsstiftet förbi den distala greppytan. Nu är röstventilen korrekt placerad i esofagus (matstrupen) (fig. 12).

4. Lösgör röstventilen

Dra laddningsröret rakt ut ur fisteln. Röstventilen sitter kvar i esofagus (matstrupen) och sitter fast på införingsstiftet. Grip tag i trakealflänsen med en slät peang och dra/vrid röstventilen på plats.

5. Avsluta ingreppet

Avsluta ingreppet efter införing så som beskrivs i avsnitt 2.5 nedan.

2.3.4 Metod 4: Kapselinsättning

Avsedd användning

Provox Capsule är ett tillbehör för engångsbruk för läkare som ska utföra anterograd insättning av en röstventil av standardtyp i den trakeoesofageala fisteln på en patient med laryngektomi.

Beskrivning av produkten

Provox Capsule är tillverkad av ett vattenlösligt material av växtursprung och storlekarna finns tillgängliga för att passa tre olika diametrar av röstventiler, 17, 20 och 22,5 Fr.

VARNINGAR

- Kontrollera alltid att röstventilen är korrekt vikt och att den sitter korrekt i Provox Capsule innan den förs in. Om Provox Capsule lossnar för tidigt kan den hamna i inandningsluften. Observera att smörjmedel kan påverka kapselns fästförmåga.
- Använd inte Provox Capsule om du misstänker att den kan ha kontaminerats.
- Använd inte Provox Capsule om förpackningen eller kapslarna verkar vara skadade.
- Kontrollera att röstventilen fungerar när den har förts in i TE-fisteln. Följ alltid säkerhetsföreskrifterna i röstventilens bruksanvisning när den har förts in.

FÖRSIKTIGHETSÅTGÄRDER

- Använd inte vassa föremål när du för in den esofageala flänsen i Provox Capsule. Röstventilen kan skadas.
- Använd endast Provox Capsule av samma storlek som eller en storlek större än röstventilens diameter.

Vikverktyget i Provox Insertion System kan användas för att vika in esofagealflänsen på en Provox Vega röstventil av standardtyp i en Provox Capsule*. Vid det här förfarandet används inte laddningsröret.

1. Föra in ventilen i Provox Capsule

Kassera den långa delen av Provox Capsule och använd den korta delen för insättningen. Kläm ihop vikverktyget med två fingrar och placera kapseln i vikverktygets öppning (fig. 13). Håll ihop vikverktyget medan du håller ner kapseln med pekfingeret (fig. 14). Använd alternativt Provox TwistLock för att hålla ihop vikverktyget. Tryck införingsstiftet framåt; det här för in röstventilens esofagealfläns i kapseln.

2. Kontrollera att röstventilen är korrekt införd

Röstventilen sitter nu på plats i Provox Capsule och vikverktyget kan tas bort från införingsstiftet. Kontrollera att esofagealflänsen befinner sig inne i kapseln (fig. 15). Om röstventilen inte är tillräckligt vikt ska laddningsprocessen göras om med en ny Provox Capsule. Kontrollera att röstventilens sträng är fäst i införingsstiftet som ska användas för att föra in ventilen i fisteln.

3. Ta bort den gamla röstventilen och förbered TE-fisteln (se avsnitt 2.2 punkterna 6 och 7).

4. För in kapseln i fisteln

Håll röstventilen i helt införd position tills Provox Capsule löses upp och den esofageala flänsen har vikts ut helt. Dra lätt i röstventilens sträng för att kontrollera att den är i rätt position.

5. Frigör röstventilen

Ta bort införingsstiftet från röstventilen. Röstventilen sitter kvar i fisteln.

6. Avsluta ingreppet

Avsluta ingreppet efter införing så som beskrivs i avsnitt 2.5 nedan.

* Ej tillgänglig i alla länder.

2.4 Sammansättning och omladdning av Provox Insertion System

Om det första försöket att föra in Provox Vega i TE-fisteln inte lyckas går det att ladda om röstventilen i Provox Insertion System.

Placera röstventilen i rätt läge

1. Montera röstventilen med trakealsidan vänd nedåt längst upp på införingsstiftet.
2. Fäst säkerhetssträngen genom att föra den igenom fästhållet från vardera sidan.
3. Se till att röstventilen sitter rätt på införingsstiftet, att den är ordentligt fastsatt och att stiftets ände befinner sig hela vägen in i röstventilens blå ring (fig. 3).

Sätt fast vikverktyget

4. För införingsstiftet genom öppningen i vikverktyget tills det klickar på plats. Dra i stiftet tills det snäpper på plats i vikverktyget (fig. 16). Provox Insertion System är nu klart att förberedas. Fortsätt förberedningen av systemet så som beskrivs i avsnitt 2.2 ovan.

FÖRSIKTIGHET: Ladda inte om mer än två gånger. Om röstventilen Provox Vega uppvisar några tecken på skada ska den inte användas.

2.5 Avsluta ingreppet

Efter införing:

Säkerställ att röstventilen sitter rätt

1. Säkerställ att röstventilen sitter rätt genom att vrida och dra i införingsstiftet försiktigt (fig. 17). Röstventilen sitter i optimalt läge när säkerhetssträngen pekar nedåt.

Testa funktionen

2. Borsta Provox Vega med Provox Brush (rengöringsborste). Testa att röstventilen fungerar som den ska genom att be patienten tala, och kontrollera att den inte läcker när patienten dricker vatten (fig. 18).

Skär av säkerhetssträngen

3. Efter att du säkerställt att röstventilen sitter rätt skär du av säkerhetssträngen så att den är i nivå med trakealflänsen (fig. 19). Röstventilen Provox Vega är nu klar att användas.

2.6 Kassering

Följ alltid medicinsk praxis och nationella krav rörande biologiska risker vid kassering av en förbrukad medicinteknisk produkt.

3. Viktig patientinformation

3.1 Allmän information

Se till att patienten förstår att han/hon ska kontakta sin läkare om:

- Det uppstår läckage genom eller omkring röstventilen (hosta och/eller förändring av slemmets färg).
- Det blir svårare att tala (kräver större ansträngning och/eller rösten låter mer ansträngd).
- Det förekommer tecken på inflammation eller vävnadsförändringar i området runt fisteln eller stomat (smärta, rodnad, hetta, svullnad, blodspår på borsten efter borstning).

Informera också patienten om att:

- Efter byte av röstventil kan det förekomma lite blod i saliven. Det här kan komma från granuleringsvävnad runt TE-fistelns kanter.
- Provox Vega Plug kan användas för att temporärt stoppa läckage genom röstventilen.
- Röstträning med specialutbildad logoped rekommenderas för att uppnå optimal röst, flytande tal och tydlighet.

3.2 Underhåll av röstventilen

Förklara för patienten när och hur röstventilen Provox Vega ska rengöras. Rengöring av röstventilen minst två gånger per dag hjälper till att öka enhetens livslängd.

FÖRSIKTIGHET: Använd endast original Provox-tillbehör som är avsedda att användas med Provox Vega vid rengöring.

- Borsta röstventilen med Provox Brush (rengöringsborste) två gånger om dagen för att avlägsna slem och matrester från röstventilen.
- Spolning av röstventilen med Provox Flush hjälper också till att rengöra den från matrester och slem, vilket kan öka enhetens livslängd.

Observera! Provox Flush är endast avsett för användning av patienter som enligt bedömning av den läkare som ordinerat röstventilen, kan förstå och följa bruksanvisningen utan läkares hjälp.

- Vissa förändringar eller tillägg till dieten, som dagligt intag av yoghurt eller kärnmjolk med laktobaciller, anses motverka alltför kraftig tillväxt av jästsvamp.

Detaljerad information om rengöring av Provox Vega finns i bruksanvisningen för varje tillbehör.

4. Ytterligare information

4.1 Kompatibilitet med MR, röntgen och strålbehandling

Provox röstventiler har testats och befunnits vara kompatibla med MR (testade upp till 3 Tesla), röntgen och strålbehandling (testade upp till 70 Gy). Röstventilen kan sitta kvar i TE-fisteln vid undersökning/behandling. Observera att den röntgentäta ventilen syns vid röntgen.

4.2. Produktens varaktighet

Produktens livslängd varierar på grund av individuella biologiska omständigheter och det går inte att förutse hur länge enheten håller över en längre tidsperiod. Produktens material påverkas av exempelvis bakterier och jästsvampar och produktstrukturen kommer så småningom att försämrans.

Laboratorietester med simulerad användning visar att vid brist av bakterier och jästsvampar förblir enheten intakt under 12 månader. Enheten har inte testats för användning längre än 12 månader. Användning utöver denna tidsgräns vilar helt på förskrivarens bedömning.

4.3 Kompatibilitet med antimykotika

Laboratorietester visar endast mindre negativ påverkan på Provox Vega-röstventilens funktion och komponenter vid användning av följande antimykotika: Nystatin, Flukonazol, Mikonazol.

5. Rapportering

Observera att varje allvarlig incident som har inträffat i förhållande till produkten ska rapporteras till tillverkaren och den nationella myndigheten i det land där användaren och/eller patienten är bosatt.

DANSK

Provox Vega

1. Deskriptive oplysninger

1.1 Tilsigtet anvendelse

Provox Vega Voice Prosthesis er en steril stemmeprotese til engangsbrug beregnet til stemmerekonstruktions efter kirurgisk fjernelse af strubehovedet (laryngektomi). Rengøring af stemmeprotesen foretages af patienten in situ.

Provox Insertion System er en steril anordning til engangsbrug, som er beregnet til anterograd udskiftning af Provox Vega stemmeprotese. Denne udskiftningsprocedure foretages af en læge eller en medicinsk uddannet i henhold til lokale eller nationale retningslinjer.

Provox Insertion System er ikke beregnet til indføring af stemmeprotese i en frisk anlagt punktur.

1.2 Beskrivelse af anordningen

Generelt

Provox Vega er en envejsventil (protese), der holder en TE-punktur åben med henblik på tale, samtidig med at risikoen for, at væske og fødevarer trænger ind i luftrøret, reduceres. Provox Vega stemmeprotese er ikke et permanent implantat og skal udskiftes jævnlige. Protosen (Fig. 1) fås med forskellig diameter og længde. Enheden er fremstillet af medicinsk silikonegummi og fluorplast.

Provox Vega-pakke

Provox Vega-pakken indeholder følgende dele:

- 1 forudsamlert Provox Vega stemmeprotese med et indføringssystem til engangsbrug, steril (Fig. 2)
- 1 Provox Brush (børste), der passer i størrelsen til stemmeprotesen, ikke-steril
- 1 Provox Vega klinikermanual
- 1 Provox Vega patientmanual
- 1 brugervejledning til Provox Brush (børste)

1.3 KONTRAINDIKATIONER

Der er ingen kendte kontraindikationer for brug eller udskiftning af Provox Vega stemmeprotese blandt patienter, der allerede bruger protesestemmerekonstruktions.

1.4 ADVARSLER

- **Løsrivelse eller udstødelse af Provox Vega stemmeprotese** fra TE-punkturen med indtagelse, aspiration eller vævsbeskadigelse til følge kan forekomme. Et fremmedlegeme i luftvejene kan forårsage alvorlige komplikationer såsom akut åndedrætsbesvær og/eller respirationsophør.
- **Vælg den korrekte protesestørrelse.** En for stram tilpasning kan forårsage vævsnekrose og udstødning.
- **Bed patienten om straks at kontakte en læge,** hvis der er tegn på vævsødem og/eller inflammation/infektion.
- **Bed patienten om at kontakte en læge,** hvis der opstår lækage i eller omkring stemmeprotesen. Lækagen kan forårsage aspirationspneumoni.
- **Hvis der bruges laryngektomitubes eller stomaknapper,** så vælg en passende form, der ikke lægger pres på protesen eller kommer i karambolage med protesens

trachealflange under indføring og fjernelse af laryngektomitube eller stomaknap. Dette kan medføre alvorlig vævsskade og/eller utilsigtet indtagelse af protesen.

- **Instruer patienten i kun at bruge originalt Provox-tilbehør** (Brush (børste), Flush (skylleanordning), Plug (prop)), der passer i størrelsen, til vedligeholdelse og i at undgå alle andre former for manipulation.
- **Genbrug og genbearbejdning** kan forårsage krydskontaminering og skade på anordningen, som igen kan forårsage patientskade.

1.5 FORHOLDSREGLER.

- Undersøg omhyggeligt patienter, der lider af blødninger, eller som får antikoagulerende behandling, for blødningsrisiko, inden protesen anbringes eller udskiftes.
- Undersøg pakken før brug. Hvis pakken er beskadiget eller åbnet, må du ikke bruge produktet.
- Brug altid aseptisk teknik ved håndtering af protesen for at reducere infektionsrisikoen.

2. Brugsanvisning

2.1 vælg stemmeprotensens størrelse

Valg af udskiftningsprotensens korrekte skaftdiameter og -længde

Sørg for at bruge en Provox Vega stemmeprotese med korrekt skaftdiameter og -længde. Provox Vega fås med forskellige skaftdiameter og længde.

- **Valg af skaftdiameter**
Klinikeren skal bestemme den rette protsediameter til patienten.
Hvis den valgte diameter er større end den tidligere protese, skal hullet udvides ved hjælp af Provox Dilator, så det passer med diameteren af protesen, der skal indføres. Hvis der skal indføres en protese med en mindre skaftdiameter, så sørg for, at punkturen skrumper ind til den rette diameter.
- **Valg af skaftlængde**
For at vælge den korrekte længde kan du bruge den eksisterende protese som måleapparatet.
Hvis der er for meget (det vil sige 3 mm/~0,12 tomme eller mere) mellemrum mellem den gamle protses trachealflange og slimhindevæggen, skal der anvendes en kortere protese. Hvis protesen sidder for stramt, skal der anvendes en længere protese.

2.2 Klargøring

(Fig. 3-6)

Placering af stemmeprotesen

1. Sørg for, at stemmeprotesen er placeret korrekt på indføringsnålen, fastgjort, og med spidsen af nålen placeret helt inde i den blå ring på stemmeprotesen (Fig. 3).

Bøj esophagusflangen

2. Sørg for, at indføringsnålen er placeret korrekt i bøjeværktøjet (nålen skal klikke på plads i bøjeværktøjet).
3. Klem bøjeværktøjet sammen med to fingre (Fig. 4).
4. Fastgør indsætningsrøret, samtidig med at du sørger for, at bøjeværktøjet er lukket, og drej indsætningsrøret, indtil det låses på plads (fig. 5).
(Ikke relevant for kapselindføring)

Indfør

5. Skub indføringsnålen fremad, indtil stemmeprotesen er tilrettet den synlige ring på indsætningsrøret (Fig. 6). (Ikke relevant for kapselindføring)

Fjern den gamle stemmeprotese

6. Fjern den nuværende (gamle) protese fra TE-punktturen ved at trække den ud med en hæmostat uden tænder. Alternativt kan protsens trachealflange, ved klinikerens skøn, gribes med en pincet og skæres over. Resten af protesen skubbes derefter ind i esophagus, så der kommer gennemløb igennem tarmkanalen. Patientens historik over eventuelle tarmsygdomme skal tages i betragtning, inden du bruger denne metode.

Klargør punkturen (valgfrit)

7. Punkturstedet kan udvides ved klargørelse til indføring af stemmeprotesen. Dette er normalt ikke nødvendigt, men kan lette indførelsen hos patienter med vinklede eller stramme punkture, der let bryder sammen.

2.3 Indsættelse, anterograd udskiftningsprocedure

Der er fire metoder, der kan anvendes til indføring af en Provox Vega stemmeprotese med et Provox Insertion System. Valg af metode foretages efter klinikerens skøn.

- 2.3.1 Indføring ved system: Hele indføringssystemet anvendes.
- 2.3.2 Indføring ved rør: Bøjeværktøjet fjernes inden indførelsen.
- 2.3.3 Overindføring: Hele stemmeprotesen indføres i esophagus, hvorefter den trækkes tilbage til den tiltænkte position.
- 2.3.4 Kapselindføring: Stemmeprotesen placeres i en Provox Capsule inden indføring.

2.3.1 Metode 1: Indføring ved system

1. Gå ind igennem TE-punktturen

Håndter Provox Insertion System ved at holde på indsætningsrøret. Før indsætningsrørets spids ind igennem punkturen. Vær forsigtig, hvis du møder modstand. Hvis du møder modstand, kan det hjælpe at udvide og/eller smøre punkturen.

2. Isæt stemmeprotesen

Hold indsætningsrøret stabilt med den ene hånd, og skub indføringsnålen med den anden hånd, indtil pilene ved den distale gribeoverflade flugter med bøjeværktøjets nederste kant (fig. 7). Nu er stemmeprotesens esophagusflange helt udfoldet i esophagus.

3. Udløs stemmeprotesen

Træk indsætningsrøret og bøjeværktøjet direkte ud af punkturen samtidig. Stemmeprotesen forbliver i punkturen, stadig solidt fastgjort til indsætningsrøret.

4. Afslut proceduren

Afslut proceduren i henhold til proceduren beskrevet i afsnit 2.5 efter indføring.

2.3.2 Metode 2: Indføring ved rør

Fjern bøjeværktøjet, når protesen er skubbet ind i indsætningsrøret for bedre at kunne se.

Bemærk: Det er vigtigt altid at bruge Provox Insertion System med et vedhæftet bøjeværktøj, når du indfører protesen, for at sikre, at esophagusflangen bøjes korrekt.

1. Fjern bøjeværktøjet

Fjern bøjeværktøjet ved at frigøre og frakoble det fra indsætningsrøret (Fig. 8).

2. Gå ind igennem TE-punkturen

Håndter Provox Insertion System ved at holde på indsætningsrøret. Før indsætningsrørets spids ind igennem punkturen. Vær forsigtig, hvis du møder modstand. Hvis du møder modstand, kan det hjælpe at udvide og/eller smøre punkturen.

3. Isæt stemmeprotesen

Skub på indføringsnålen med den anden hånd, indtil pilene ved den proksimale gribeoverflade flugter med indsætningsrøret (Fig. 9). Nu er stemmeprotesens esophagusflange helt udfoldet i esophagus.

4. Udløs stemmeprotesen

Hold indsætningsrøret med den ene hånd og indføringsnålen med den anden. Træk både indsætningsrør og indføringsnål tilbage, indtil du føler, at esophagusflangen har nået den forreste væg af esophagus. Slip så indføringsnålen, og træk indsætningsrøret lige ud af punkturen. Dette udløser trachealflangen.

Bemærk: Hvis trachealflangen folder sig ud inde i esophagus eller punkturen (utilsigtet overindføring), så grib fat i trachealflangen med en hæmostat uden tænder, og træk/drej stemmeprotesen på plads.

5. Afslut proceduren

Afslut proceduren i henhold til proceduren beskrevet i afsnit 2.5 efter indføring.

2.3.3 Metode 3: Overindføring

Der foretages sommetider overindføring af Provox Vega stemmeprotesen for at sikre esophagusflangens fulde udvikling i svære TE-punkturer.

1. Fjern bøjeværktøjet (valgfrit)

Fjern bøjeværktøjet, når protesen er skubbet ind i indsætningsrøret, ved at frigøre og frakoble det fra indsætningsrøret (Fig. 8).

2. Gå ind igennem TE-punkturen

Håndter Provox Insertion System ved at holde på indsætningsrøret. Før indsætningsrørets spids ind igennem punkturen. Vær forsigtig, hvis du møder modstand. Hvis du møder modstand, kan det hjælpe at udvide og/eller smøre punkturen.

3. Isæt stemmeprotesen

Hold indsætningsrøret stabilt med den ene hånd, og skub på indføringsnålen med den anden, indtil den befinder sig bag den proksimale gribeoverflade (Fig. 10). Nu er stemmeprotesen helt udfoldet i esophagus (Fig. 11).

Hvis der foretages overindføring med bøjeværktøjet vedhæftet, så skub indføringsnålen ind bag den distale gribeoverflade. Nu er stemmeprotesen helt udfoldet i esophagus (Fig. 12).

4. Udløs stemmeprotesen

Træk indsætningsrøret direkte ud af punkturen. Protesen forbliver i esophagus, stadig solidt fastgjort til indføringsnålen. Tag fat i trachealflangen med en hæmostat uden tænder, og træk/drej stemmeprotesen på plads.

5. Afslut proceduren

Afslut proceduren i henhold til proceduren beskrevet i afsnit 2.5 efter indføring.

2.3.4 Metode 4: Indsættelse af kapsel

Tilsigtet anvendelse

Provox Capsule er tilbehør beregnet til engangsbrug til anterograd indføring af en standardstemmeprotese i den tracheoesophageale punktur, udført af en kliniker på en laryngektomeret patient.

Beskrivelse af anordningen

Provox Capsule er fremstillet i vandopløseligt plantemateriale, og de fås i tre forskellige stemmeprotesediameter, 17, 20 og 22,5 Fr.

ADVARSLER

- Sørg altid for, at stemmeprotesen er foldet korrekt, og at den indføres korrekt i Provox Capsule før indføring. Hvis Provox Capsule falder af, kan den blive indåndet. Bemærk, at smøremidler kan forringe fastgøringen af kapslen.
- Anvend ikke Provox Capsule, hvis der er mistanke om kontamination.
- Anvend ikke Provox Capsule, hvis pakke eller kapsel er beskadiget.
- Kontrollér, at stemmeprotesen fungerer efter indføring i TE-punktur. Følg altid sikkerhedsforanstaltningerne i brugsanvisningen til stemmeprotesen efter indføring.

FORHOLDSREGLER

- Anvend ikke skarpe genstande til indføring af esophagusflangen i Provox Capsule, da det kan beskadige stemmeprotesen.
- Brug kun en Provox Capsule, som er samme størrelse eller en størrelse større end stemmeprotesens diameter.

Bøjeværktøjet i Provox Insertion System kan bruges til at bøje esophagusflangen i en standardiseret Provox Vega stemmeprotese ind i en Provox Capsule*. I denne procedure bliver indsætningsrøret ikke anvendt.

1. Før protesen ind i en Provox Capsule

Kassér den lange del af Provox Capsule, og brug den korte del til indføring. Klem bøjeværktøjet sammen med to fingre, og placer kapslen i bøjeværktøjets åbning (Fig. 13). Bliv ved med at klemme bøjeværktøjet sammen, imens du holder kapslen nede med pegefingern (Fig. 14). Du kan også bruge Provox TwistLock til at holde sammen på foldeværktøjet. Skub indføringsnålen fremad, dette vil føre stemmeprotensens esophagusflange ind i kapslen.

2. Sørg for, at den er indført korrekt

Stemmeprotesen er nu indført i Provox Capsule, og bøjeværktøjet kan fjernes fra indføringsnålen. Kontroller, at esophagusflangen er inde i kapslen (Fig. 15). Hvis stemmeprotesen ikke er korrekt bøjet, skal indsættelsesprocessen gentages med en ny Provox Capsule. Sørg for, at stropen på stemmeprotesen er fastgjort til indføringsstiften under indføring af protesen i punkturen.

3. Fjern den gamle stemmeprotese, og forbered TE-punkturen (se afsnit 2.2 punkt 6 og 7).

4. Indfør kapslen i punkturen

Hold stemmeprotesen i en fuldt indført position, indtil Provox Capsule er opløst og esophagusflangen er helt udfoldet. Træk let i stropen på stemmeprotesen for at sikre, at den sidder korrekt.

5. Frigør stemmeprotesen

Fjern indsættelsesstiften fra stemmeprotesen. Stemmeprotesen forbliver i punkturen.

6. Afslut proceduren

Afslut proceduren i henhold til proceduren beskrevet i afsnit 2.5 efter indføring.

* Ikke tilgængelige i alle lande.

2.4 Montering og genindsætning af Provox Insertion System

Hvis det første forsøg på at indføre Provox Vega i TE-punktur ikke lykkedes, kan stemmeprotesen genindsættes i Provox Insertion System.

Placering af stemmeprotesen

1. Monter stemmeprotesen oven på indføringsnålen med trachealsiden nedad.
2. Fastgør sikkerhedsstropen ved at lede den igennem fastgørelsesåbningen fra begge sider.
3. Sørg for, at stemmeprotesen er placeret korrekt på indføringsnålen, fastgjort, og med spidsen af nålen placeret helt inde i den blå ring på stemmeprotesen (Fig. 3).

Monter bøjeværktøjet

4. Før indføringsnålen igennem åbningen i bøjeværktøjet, indtil den klikker på plads. Træk i nålen, indtil den klikker på plads i bøjeværktøjet (Fig. 16). Provox Insertion System er nu klar til forberedelse. Fortsæt forberedelsen som beskrevet ovenfor i afsnit 2.2.

FORSIGTIG: Indfør ikke mere end to gange. Hvis Provox Vega stemmeprotese viser tegn på skade, må du ikke anvende stemmeprotesen.

2.5 Afslut proceduren

Efter indføring:

Sørg for, at den sidder korrekt

1. Sørg for at stemmeprotesen sidder korrekt placeret ved at dreje og hive forsigtigt i indføringsnålen (Fig. 17). Protesen sidder korrekt, når sikkerhedsstropen peger nedad.

Test, at den fungerer korrekt

2. Børst Provox Vega med Provox Brush (børste). Kontroller, at protesen fungerer, som den skal, ved at bede patienten om at tale og ved at tjekke, om protesen lækker, når patienten drikker vand (Fig. 18).

Skær sikkerhedsstropen af

3. Skær sikkerhedsstropen af, så den flugter med trachealflangen, når du har sikret, at stemmeprotesen er placeret korrekt (Fig. 19). Provox Vega stemmeprotese er nu klar til brug.

2.6 Bortskaffelse

Følg altid medicinsk praksis og nationale krav vedrørende biologisk farligt affald ved bortskaffelse af en brugt medicinsk anordning.

3. Vigtige patientoplysninger

3.1 Generelle informationer

Sørg for, at patienten forstår, at han/hun skal kontakte sin kliniker, hvis:

- Der er en lækage igennem eller omkring protesen (hoste og/eller ændring af slimfarve).
- Det bliver sværere at tale (større anstrengelser og/eller stemmen lyder mere anspændt).
- Der er tegn på inflammation eller vævsændringer ved punkturstedet eller stomaområdet (smerte, rødme, varme, hævelse, spor af blod på børsten efter børstning).

Informér også patienten om, at:

- Efter en proteseudskiftning kan der forekomme spor af blod i spytet. Dette kan komme fra granulationsvæv på kanterne af TE-punkturen.
- Provox Vega Plug (prop) kan bruges til midlertidigt at stoppe lækage i stemmeprotesen.
- Taletræningssessioner med en uddannet kliniker anbefales for at opnå en optimal stemmelyd, flydende tale og optimal forståelighed.

3.2 Vedligeholdelse af protesen

Vejled patienten i, hvornår og hvordan han/hun skal rengøre sin Provox Vega stemmeprotese. Rengøring af protesen mindst hver anden dag kan forlænge anordningens levetid.

FORSIGTIG: Brug kun originalt Provox tilbehør, der er beregnet til brug sammen med Provox Vega, til rengøring af stemmeprotesen.

- Børst protesen med Provox Brush (børste) to gange om dagen for at fjerne slim og madrester fra protesen.
- Brug Provox Flush (skylleanordning) til at skylle protesen, dette hjælper med at rense protesen for snavs og slim, hvilket kan øge anordningens levetid.
Bemærk: Provox Flush (skylleanordning) er kun beregnet til brug af patienter, som, efter klinikerens skøn, har vist at forstå og konsekvent følge brugsanvisningen uden klinikerens opsyn.
- Kostforanstaltninger som daglig indtagelse af yoghurt eller kærnemælk med mælkesyrebakterier anses for at være effektiv mod overdreven candidavækst.

For detaljeret information om, hvordan du rengør Provox Vega se vejledningen til hvert enkelt tilbehør.

4. Yderligere oplysninger

4.1 Kompatibilitet med MR, røntgen og strålebehandling

Stemmeprotoser fra Provox er testede og fundet kompatible med MR (magnetisk resonans-scanning) (testet op til 3 Tesla), røntgen og strålebehandling (testet op til 70 Gy). Protesen kan blive i TE-punkturen under undersøgelses-/behandlingssessionen. Bemærk, at det stråleuigennemtrængelige ventil sæde er synligt på røntgen.

4.2 Anordningens levetid

Anordningens levetid varierer afhængig af individuelle, biologiske faktorer, og det er ikke muligt at forudsige anordningens integritet over længere tid. Anordningens materiale vil blive påvirket af eksempelvis bakterier og gærsvamp, og anordningens strukturelle integritet vil med tiden forringes.

Laboratorieundersøgelser ved simuleret brug over en testperiode på 12 måneder viser, at ved fravær af bakterier og gærsvampe vil anordningen opretholde sin strukturelle integritet i samme periode. Anordningen er ikke testet i brug ud over 12 måneder. Brug ud over denne grænse er efter den ordinerende læges eget skøn.

4.3 Kompatibilitet med lægemidler til behandling af svampeinfektioner

Laboratorieundersøgelser viser kun en lille negativ påvirkning af Provox Vega stemmeprotensens funktion ved anvendelse af følgende lægemidler til behandling af svampeinfektioner: Nystatin, Fluconazole, Miconazol.

5. Rapportering

Bemærk, at enhver alvorlig hændelse, der er opstået i relation til enheden, skal indberettes til fabrikanten og den nationale myndighed i det land, hvor brugeren og/eller patienten opholder sig.

NORSK

Provox Vega

1. Beskrivelse

1.1 Tiltent bruk

Provox Vega-taleprotesen er en steril, intravenøs taleprotese for engangsbruk som er beregnet på talerehabilitering etter kirurgisk fjerning av larynx (laryngektomi). Taleprotesen rengjøres av pasienten mens den sitter på plass.

Provox Insertion System er en steril anordning for engangsbruk som er beregnet på anterograd utskifting av Provox Vega-taleprotesen. Utskiftingsprosedyren utføres av lege eller opplært helsearbeider i tråd med lokale eller nasjonale retningslinjer.

Provox Insertion System skal ikke brukes til innsetting av en taleprotese i en ny punksjon.

1.2 Beskrivelse av anordningen

Generelt

Provox Vega-taleprotesen er en enveisventil (protese) som holder en TE-punksjon åpen for tale, samtidig som risikoen for å få væske og mat inn i trakea, reduseres. Provox Vega-taleprotesen er ikke et permanent implantat og må

skiftes ut regelmessig. Protesen (fig. 1) er tilgjengelig i forskjellige diametere og flere lengder. Anordningen er laget av medisinsk silikongummi og fluorplast.

Pakken med Provox Vega

Pakken med Provox Vega inneholder følgende artikler:

- 1 Provox Vega taleprotese, forhåndsmontert i et Insertion System for engangsbruk, steril (fig. 2)
- 1 Provox Brush (børste) i en størrelse som passer til taleprotesen, usteril
- 1 legehåndbok for Provox Vega
- 1 pasienthåndbok for Provox Vega
- 1 bruksanvisning for Provox-børste

1.3 KONTRAINDIKASJONER

Det er ingen kjente kontraindikasjoner for bruk eller utskifting av Provox Vega-taleprotesen hos pasienter som allerede bruker en talerehabiliteringsprotese.

1.4 ADVARSLER

- **Hvis Provox Vega-taleprotesen løsner eller utstøtes** fra TE-punksjonen og den svelges, kan det oppstå aspirasjon eller vevsskade. Et fremmedlegeme i luftveien kan forårsake alvorlige komplikasjoner, som akutte pustevasker og/eller pustestopp.
- **Velg riktig protese størrelse.** En stram tilpasning kan forårsake vevsnekrose og utstøtning.
- **Be pasienten kontakte lege** umiddelbart hvis det foreligger tegn til vevsødem og/eller betennelse/infeksjon.
- **Instruer pasienten om å rådføre seg med lege** hvis det oppstår lekkasje gjennom eller rundt taleprotesen. Lekkasje kan forårsake aspirasjonslungebetennelse.
- **Hvis det brukes laryngektomirør eller stomiknapper**, må du velge en egnet form som ikke legger trykk på protesen eller henger seg fast i protesens trakealfilens ved innsetting og fjerning av laryngektomirøret eller stomiknappen. Dette kan føre til alvorlig vevsskade og/eller utilsiktet svelging av protesen.
- **Instruer pasienten om at det bare må brukes originalt Provox-tilbehør** i tilhørende størrelse (børste, Flush, Plug) til vedlikehold samt å unngå alle typer endringer.
- **Gjenbruk og bearbeiding for gjenbruk** kan forårsake krysskontaminasjon og skade på anordningen, noe som kan skade pasienten.

1.5 FORHOLDSREGLER

- Vær ekstra bevisst på pasienter med blødningslidelser eller pasienter som får antikoagulasjonsbehandling, med hensyn til fare for blødning eller hemoragi, før plassering eller utskifting av protesen.
- Kontroller emballasjen før bruk. Hvis emballasjen er skadet eller åpnet, må du ikke bruke produktet.
- Bruk alltid aseptisk teknikk når du håndterer protesen slik at faren for infeksjon reduseres.

2. Bruksanvisning

2.1 Velge størrelse på taleprotesen

Velge riktig skaftdiameter og -lengde på utskiftingsprotesen

Pass på at du bruker en Provox Vega-taleprotese med skaft i riktig diameter og lengde. Provox Vega er tilgjengelig med forskjellige skaftdiametere og flere lengder.

- **Velge skaftdiameter**
Legen skal fastslå riktig diameter på protesen for den aktuelle pasienten.
Hvis den valgte diameteren er større enn diameteren for den tidligere protesen, må kanalen utvides ved hjelp av Provox Dilator iht. diameteren på protesen som skal settes inn.
Hvis du setter inn en protese med et skaft med mindre diameter, må du observere og sikre at punksjonen krymper til riktig diameter.
- **Velge skaftlengde**
Du kan bruke den eksisterende protesen som måleanordning når du skal velge riktig lengde.
Hvis det er for mye (dvs. 3 mm eller mer) mellomrom mellom den gamle protesens trakealfilens og slimhinneveggen, skal du bruke en kortere protese. Hvis protesen sitter for stramt, skal du bruke en lengre protese.

2.2 Klargjøring

(fig. 3–6)

Plassere taleprotesen

1. Forsikre deg om at taleprotesen er plassert riktig og sitter godt fast på innsetningsanordningen med spissen på anordningen helt inne i den blå ringen på taleprotesen (fig. 3).

Folde øsofagealfilensen

2. Kontroller at innsetningsanordningen er riktig plassert i forhold til foldeverktøyet (anordningen skal klikke inn i foldeverktøyet).
3. Klem foldeverktøyet sammen med to fingre (fig. 4).
4. Fest innsetningsrøret mens du holder foldeverktøyet lukket og vrir foldeverktøyet til det låser seg på plass (fig. 5).
(Ikke aktuelt for kapselinnsetting.)

Sette inn

5. Skyv innsetningsanordningen fremover til taleprotesen er innrettet med den synlige ringen på innsetningsrøret (fig. 6). (Ikke aktuelt for kapselinnsetting.)

Fjerne den gamle taleprotesen

6. Fjern den eksisterende (gamle) protesen fra TE-punksjonen ved å trekke den ut ved hjelp av en hemostat uten tenner. Legen kan eventuelt velge å ta tak i protesens trakealflens med en pinssett og klippe den av. Deretter skyves resten av protesen inn i øsofagus for passering gjennom tarmkanalen. Det skal tas hensyn til pasientens historikk knyttet til tarmsykdommer før denne metoden benyttes.

Klargjøre punksjonen (valgfritt)

7. Punksjonen kan utvides slik at den klargjøres for innsetting av taleprotesen. Dette er vanligvis ikke nødvendig, men gjør innsettingen enklere hos pasienter med vinklede eller trange punksjoner som enkelt skrumper.

2.3 Innsetting, anterograd utskiftingsprosedyre

Det finnes fire metoder å velge mellom når Provox Vega-taleprotesen skal settes inn ved hjelp av Provox Insertion System. Legen velger metode etter skjønn.

- 2.3.1 Systeminnsetting: Hele innsettningssystemet brukes.
- 2.3.2 Rørinnssetting: Foldeverktøyet fjernes før innsetting.
- 2.3.3 Overskyttingsinnsetting: Hele taleprotesen utplasseres i øsofagus og trekkes deretter tilbake til tiltenkt posisjon.
- 2.3.4 Kapselinnsetting: Taleprotesen plasseres inn i en Provox Capsule før innsetting.

2.3.1 Metode 1: Systeminnsetting

1. Gå inn i TE-punksjonen

Hold Provox Insertion System i innsetningsrøret. Gå inn i punksjonen med innsetningsrørspissen. Gå varsomt frem hvis du støter på motstand. Hvis du møter motstand, kan du gjøre innsettingen enklere ved å utvide og/eller smøre systemet.

2. Sette inn taleprotesen

Hold innsetningsrøret stabilt med én hånd, og skyv innsetningsanordningen med den andre hånden til pilene ved den distale gripeflaten er i flukt med foldeverktøytets nedre kant (fig. 7). Nå er taleprotesens øsofagealflens foldet helt ut i øsofagus.

3. Slippe taleprotesen

Trekk innsetningsrøret og foldeverktøyet sammen rett ut av punksjonen. Taleprotesen forblir i punksjonen – fortsatt godt festet til innsetningsanordningen.

4. Avslutte prosedyren

Etter innsetting fullfører du prosedyren som beskrevet nedenfor i avsnitt 2.5.

2.3.2 Metode 2: Rørinnssetting

Hvis du vil øke synsvidden, kan du fjerne foldeverktøyet når protesen er skjøvet inn i innsetningsrøret.

Merk: Det er viktig alltid å bruke Provox Insertion System med foldeverktøyet festet til det når du setter inn protesen, for å sikre at øsofagealflensen foldes på riktig måte.

1. Fjerne foldeverktøyet

Fjern foldeverktøyet ved å låse det opp og koble det fra innsetningsrøret (fig. 8).

2. Gå inn i TE-punksjonen

Hold Provox Insertion System i innsetningsrøret. Gå inn i punksjonen med innsetningsrørspissen. Gå varsomt frem hvis du støter på motstand. Hvis du møter motstand, kan du gjøre innsettingen enklere ved å utvide og/eller smøre systemet.

3. Sette inn taleprotesen

Skyv innsetningsanordningen med den andre hånden til pilene på den proksimale gripeflaten er i flukt med innsetningsrøret (fig. 9). Nå er taleprotesens øsofagealflens foldet helt ut i øsofagus.

4. Slippe taleprotesen

Hold innsetningsrøret med én hånd og innsetningsanordningen med den andre hånden. Trekk både innsetningsrøret og innsetningsanordningen tilbake til du kjenner at øsofagealflensen har nådd den fremre øsofagealveggen. Deretter slipper du innsetningsanordningen og trekker innsetningsrøret rett ut av punksjonen. Da slipper trakealflensen.

Merk: Hvis trakealflensen foldes ut inne i øsofagus eller punksjonen (utilsiktet overskyting), tar du tak i trakealflensen med en hemostat uten tenner og trekker/dreier taleprotesen på plass.

5. Avslutte prosedyren

Etter innsetting fullfører du prosedyren som beskrevet nedenfor i avsnitt 2.5.

2.3.3 Metode 3: Overskyttingsinnsetting

Overskyting av Provox Vega-taleprotesen utføres iblant for å sikre fullstendig utfoldelse av øsofagealflensen i vanskelige TE-punksjoner.

1. Fjerne foldeverktøyet (valgfritt)

Etter at protesen er skjøvet inn i innsetningsrøret, fjerner du foldeverktøyet ved å låse det opp og koble det fra innsetningsrøret (fig. 8).

2. Gå inn i TE-punksjonen

Hold Provox Insertion System i innsetningsrøret. Gå inn i punksjonen med innsetningsrørspissen. Gå varsomt frem hvis du støter på motstand. Hvis du møter motstand, kan du gjøre innsettingen enklere ved å utvide og/eller smøre systemet.

3. Sette inn taleprotesen

Hold innsetningsrøret med én hånd, og skyv innsetningsanordningen til den er forbi den proksimale gripeflaten med den andre hånden (fig. 10). Nå er taleprotesen fullstendig utplassert i øsofagus (fig. 11).

Hvis overskyttingsinnsetningen utføres mens foldeverktøyet er montert, skyver du innsetningsanordningen forbi den distale gripeflaten. Nå er taleprotesen fullstendig utplassert i øsofagus (fig. 12).

4. Slippe taleprotesen

Trekk innsetningsrøret rett ut av punksjonen. Protesen forblir i øsofagus – fortsatt godt festet til innsetningsanordningen. Ta tak i trakealflensen med en hemostat uten tenner, og trekk/drei taleprotesen på plass.

5. Avslutte prosedyren

Etter innsetting fullfører du prosedyren som beskrevet nedenfor i avsnitt 2.5.

2.3.4 Metode 4: Kapselinnsetting

Tiltent bruk

Provox Capsule er et tilbehør til engangsbruk for anterograd innsetting av en standard taleprotese i trakeoøsofageal punksjon hos en laryngektomipasient. Innsettingen skal utføres av lege.

Beskrivelse av enheten

Provox Capsule er laget av et vannløselig materiale av planteopprinnelse og er tilgjengelig i tre størrelser for å passe til taleproteser med tre forskjellige diametere – 17, 20 og 22,5 Fr.

ADVARSLER

- Forsikre deg alltid om at taleprotesen er brettet riktig, og at den er satt riktig inn i Provox Capsule før innsetting. Hvis Provox Capsule løsner for tidlig, kan den bli innåndet. Vær oppmerksom på at smøremidler kan gi dårlig feste for kapselen.
- Ikke bruk Provox Capsule hvis det er mistanke om kontaminering.
- Ikke bruk Provox Capsule hvis pakken eller kapslene virker skadet.
- Forsikre deg om at taleprotesen virker som den skal etter innsetting i trakeoøsofageal punksjon. Følg alltid forholdsregler for sikkerhet som er angitt i bruksanvisningen for taleprotesen, etter innsetting.

FORHOLDSREGLER

- Ikke bruk skarpe gjenstander for å sette øsofagealflensen inn i Provox Capsule, da dette kan skade taleprotesen.
- Det skal kun brukes en Provox Capsule i samme størrelse som eller en størrelse større enn diameteren på taleprotesen.

Provox Insertion System foldeverktøy kan brukes til å folde øsofagealflensen på en standard Provox Vega-taleprotese inn i en Provox Capsule*. Innsetningsrøret brukes ikke i denne prosedyren.

1. Sette protesen inn i Provox Capsule

Kast den lange delen av Provox Capsule, og bruk den korte delen for innsetting. Klem foldeverktøyet sammen med to fingre, og plasser kapselen i foldeverktøyets åpning (fig. 13). Hold foldeverktøyet sammen samtidig som du holder kapselen nede med pekefingeren (fig. 14). Alternativt kan du bruke Provox TwistLock for å holde foldeverktøyet sammen. Skyv innsetningsanordningen bestemt fremover. Taleprotesens øsofagealflens går da inn i kapselen.

2. Kontrollere riktig innsetting

Taleprotesen er nå satt inn i Provox Capsule, og foldeverktøyet kan fjernes fra innsetningsanordningen. Bekreft at øsofagealflensen er inne i kapselen (fig. 15). Hvis taleprotesen ikke er foldet på riktig måte, skal innsettingsprosessen gjentas med en ny Provox Capsule. Forsikre deg om at stroppen til taleprotesen er festet til innsetningsanordningen beregnet for innsetting av protesen i punksjonen.

3. Fjern den gamle taleprotesen, og klargjør trakeoøsofageal punksjon (se avsnitt 2.2, punkt 6 og 7).

4. Sette kapselen inn i punksjon

Hold taleprotesen i helt innsatt stilling inntil Provox Capsule er oppløst og øsofagealflensen har brettet seg helt ut. Trekk lett i stroppen til taleprotesen for å sikre at den er i riktig posisjon.

5. Slippe taleprotesen

Fjern innsetningsanordningen fra taleprotesen. Taleprotesen forblir i punksjonen.

6. Avslutte prosedyren

Etter innsetting fullfører du prosedyren som beskrevet nedenfor i avsnitt 2.5.

* Ikke tilgjengelig i alle land.

2.4 Montere og sette inn Provox Insertion System på nytt

Hvis det første forsøket på å sette inn Provox Vega i TE-punksjonen mislyktes, er det mulig å sette taleprotesen inn i Provox Insertion System på nytt.

Plassere taleprotesen

1. Monter taleprotesen oppå innsetningsanordningen med den trakeale siden vendt ned.
2. Fest sikkerhetsstroppen ved å føre den gjennom festehullet fra hvilken som helst side.
3. Forsikre deg om at taleprotesen er plassert riktig og sitter godt fast på innsetningsanordningen med spissen på anordningen helt inne i den blå ringen på taleprotesen (fig. 3).

Koble til foldeverktøyet

4. Før innsetningsanordningen gjennom åpningen i foldeverktøyet til den klikker på plass. Trekk i anordningen til den klikker inn i foldeverktøyet (fig. 16). Provox Insertion System er nå klart for klargjøring. Fortsett klargjøringen som beskrevet over i avsnitt 2.2.

FORSIKTIG: Må ikke settes inn på nytt mer enn to ganger. Hvis Provox Vega-taleprotesen viser tegn til skade, må du ikke bruke taleprotesen.

2.5 Avslutte prosedyren

Etter innsetting:

Kontrollere riktig tilpasning

1. Forsikre deg om at taleprotesen sitter riktig ved å dreie og trekke forsiktig i innsettingsanordningen (fig. 17). Protesen er ideelt plassert når sikkerhetsstroppen peker nedover.

Teste riktig funksjon

2. Børst Provox Vega med Provox-børsten. Test at protesen fungerer som den skal ved å be pasienten om å snakke, og ved å observere at protesen ikke lekker når pasienten drikker vann (fig. 18).

Klippe sikkerhetsstroppen

3. Når du har forsikret deg om at taleprotesen er plassert riktig, klipper du sikkerhetsstroppen slik at den er i flukt med trakealflensen (fig. 19). Provox Vega-taleprotesen er nå klar til bruk.

2.6 Avhending

Følg alltid medisinsk praksis og nasjonale krav angående biologiske farer når en brukt medisinsk anordning skal avhendes.

3. Viktig pasientinformasjon

3.1 Generell informasjon

Forsikre deg om at pasienten vet at de skal kontakte legen hvis:

- Det er lekkasje gjennom eller rundt protesen (hoste og/eller endring av farge på slimet).
- Det blir vanskelig å snakke (større anstrengelse og/eller talen høres mer anstrengt ut).
- Det er tegn til betennelse eller endringer i vevet ved punksjonsstedet eller stomiområdet (smerte, rødhet, varme, hevelse, spor av blod på børsten etter børsting).

Informér i tillegg pasienten om at:

- Det kan finnes spor av blod i spyttet etter en utskifting av protesen. Dette kan komme fra granuleringsvevet på kantene av TE-punksjonen.
- Provox Vega Plug kan brukes til å stanse lekkasje midlertidig gjennom taleprotesen.
- Taleopplæringsstimer med en opplært lege anbefales slik at optimal talelyd, flytende tale og optimal forståelighet oppnås.

3.2 Vedlikehold av protesen

Instruer pasienten om når og hvordan Provox Vega-taleprotesen skal rengjøres. Hvis protesen rengjøres to ganger om dagen, kan det bidra til å forlenge anordningens levetid.

FORSIKTIG: Bruk bare originalt Provox-tilbehør som er beregnet på bruk med Provox Vega når protesen skal rengjøres.

- Hvis protesen børstes med Provox-børsten to ganger om dagen, vil det bidra til å fjerne slim og matrester fra protesen.
- Hvis protesen i tillegg skylles med Provox Flush, bidrar det til å fjerne smuss og slim fra protesen, som er med på å forlenge anordningens levetid.

Merk: Provox Flush er kun beregnet på pasienter som etter vurdering av legen som foreskrev anordningen, har vist evne til å forstå og følge bruksanvisningen konsekvent uten klinisk tilsyn.

- Noen kostholdstiltak, som daglig inntak av yoghurt eller kjernemelk som inneholder melkesyre bakterier, anses å være nyttige mot omfattende vekst av candida.

Du finner detaljert informasjon om rengjøring av Provox Vega i bruksanvisningen for hvert tilbehør.

4. Tilleggsinformasjon

4.1. Kompatibilitet med MR-, røntgen- og strålebehandling

Taleproteser fra Provox er testet og funnet å være kompatible med magnetisk resonanstomografi (testet med opptil 3 tesla), røntgen og strålebehandling (testet med opptil 70 Gy). Protesen kan bli stående inne i TE-punksjonen under undersøkelses-/behandlingsøkten. Vær oppmerksom på at det strålingsugjennomtrengelige ventilsettet er synlig på røntgen.

4.2 Anordningens levetid

Avhengig av individuelle biologiske forhold kan anordningens levetid variere, og det er ikke mulig å forutsi anordningens integritet over en lengre periode. Materialet i anordningen kan påvirkes av for eksempel bakterier eller gjærsopp, og anordningens strukturelle integritet forringes over tid.

Laboratorietester av simulert bruk i en testperiode på 12 måneder viser at anordningen beholder sin strukturelle integritet i denne perioden, hvis det ikke har vært forekomster av bakterier og gjærsopp. Denne anordningen er ikke testet for bruk i mer enn 12 måneder. Bruk i lengre tid enn dette er opp til forskriverens skjønn.

4.3 Kompatibilitet med antimykotika

Laboratorietester viser bare mindre negativ påvirkning på funksjonen til Provox Vega-taleprotesen og komponentene når følgende antimykotika brukes: Nystatin, Fluconazol, Miconazol.

5. Rapportering

Vær oppmerksom på at enhver alvorlig hendelse som har oppstått i forbindelse med enheten, skal rapporteres til produsenten og nasjonale myndigheter i landet der brukeren og/eller pasienten bor.

SUOMI

Provox Vega

1. Tuotetiedot

1.1 Käyttötarkoitus

Provox Vega -ääniproteesi on steriili, kertakäyttöinen kehonsisäinen ääniproteesi, joka on tarkoitettu puhekuntoutukseen kurkunkupään kirurgisen poiston jälkeen. Potilas puhdistaa ääniproteesin poistamatta sitä paikaltaan.

Provox Insertion System -sisäänviejäjärjestelmä on steriili, kertakäyttöinen tuote, joka on tarkoitettu Provox Vega -ääniproteesin anterogradiseen vaihtoon. Vaihtotoimenpiteen suorittaa lääkäri tai koulutettu lääkintöalan ammattilainen paikallisten tai kansallisten ohjeiden mukaisesti.

Provox Insertion System -sisäänviejäjärjestelmää ei ole tarkoitettu käytettäväksi ääniproteesin asentamiseen vastikään tehtyyn punktiokohtaan.

1.2 Laitteen kuvaus

Yleistä

Provox Vega on takaiskuventtiili (proteesi), joka pitää TE-avanteen auki puhetta varten ja vähentää samalla ruoan ja nesteiden henkitorveen pääsemisen riskiä. Provox Vega -ääniproteesi ei ole pysyvä implantti, vaan se täytyy vaihtaa ajoittain. Proteesista (kuva 1) on saatavana eri läpimittoja ja useita pituuksia. Laitteen runko on valmistettu lääketieteellisen laadun silikonikumista ja fluoromuovista.

Provox Vega -pakkaus

Provox Vega -pakkaus sisältää seuraavat osat:

- 1 Provox Vega -ääniproteesi, jossa on valmiiksi koottu kertakäyttöinen Insertion System -sisäänviejäjärjestelmä, steriili (kuva 2)
- 1 Provox Brush -harja, ääniproteesin kokoa vastaava, sterilioimaton
- 1 lääkärin Provox Vega -opas
- 1 potilaan Provox Vega -opas
- 1 Provox Brush -harjan käyttöohjeet

1.3 VASTA-AIHEET

Provox Vega -ääniproteesin käytölle tai vaihdolle ei tunneta mitään vasta-aiheita potilaille, jotka jo käyttävät proteesia puhekuntoutukseen.

1.4 VAROITUKSET

- **Provox Vega -ääniproteesi voi irrota tai työntyä ulos** TE-avanteesta, jolloin se voi joutua vahingossa nielaistuksi tai hengitysteihin tai aiheuttaa kudonvaurioita. Vieras esine hengitysteissä voi aiheuttaa vakavia komplikaatioita, kuten akuutteja hengitysvaikeuksia ja/tai hengityksen pysähtymisen.
- **Valitse oikean kokoinen proteesi.** Liian suurikokoinen proteesi voi aiheuttaa kudonvaurioita ja proteesin poistytymisen.
- **Neuvo potilasta kysymään välittömästi neuvua lääkäriltä,** jos potilaalla ilmenee minkäänlaisia merkkejä kudonvauriosta ja/tai tulehduksesta/infektiosta.
- **Neuvo potilasta kääntymään lääkärin puoleen,** jos ääniproteesin yhteydessä esiintyy vuotoa. Vuoto voi aiheuttaa aspiraatiokeuhkokuumeen.
- **Jos käytetään laryngektomiaputkia tai stoomanappeja,** valitse sellaiset välineet, jotka eivät paina proteesia tai tartu proteesin ulkosivvekkeeseen laryngektomiaputken tai stoomanapin asettamisen ja poistamisen aikana. Se voi johtaa vakavaan kudonvaurioon ja/tai proteesin nielämiseen vahingossa.
- **Neuvo potilasta käyttämään proteesin huoltoon vain sopivankokoisia alkuperäisiä Provox-lisävarusteita** (harja, huuhtelulaite, tulppa) ja välttämään kaikkea muunlaista ääniproteesin käsittelyä.
- **Uudelleenkäyttö ja uudelleen käsittely** saattaa aiheuttaa ristikontaminaation ja vaurioittaa laitetta, mistä voi koitua vahinkoa potilaalle.

1.5 VAROTOIMET

- Arvioi verenvuototauteja sairastavien potilaiden tai antikoagulanttihoitoa saavien potilaiden verenvuoto- tai hemorragiavaara huolellisesti ennen proteesin sijoittamista tai vaihtoa.
- Tarkasta pakkaus ennen käyttöä. Jos pakkaus on vaurioitunut tai avattu, älä käytä tuotetta.
- Käytä aina aseptista menetelmää infektiovaaran vähentämiseksi, kun käsittelet proteesia.

2. Käyttöohjeet

2.1 Ääniproteesin koon valitseminen

Vaihtoproteesin oikean varren läpimitan ja pituuden valitseminen

Varmistu, että valitset Provox Vega -ääniproteesin, jonka varren läpimita ja pituus ovat oikean kokoisia. Provox Vega -proteesista on saatavana eri varren läpimittoja ja useita pituuksia.

• Varren läpimitan valinta

Lääkärin tulisi määrittää potilaskohtaisesti oikea proteesin läpimita.

Jos valittu läpimita on suurempi kuin aikaisempi proteesi, kanavaa on laajennettava Provox Dilator -laajentimella, joka soveltuu asennettavan proteesin läpimittaan.

Jos asennettavan proteesin varren läpimita on pienempi, tarkkaile ja varmista, että punktiokohta kuroutuu oikeaan läpimittaan.

• Varren pituuden valinta

Valittaessa oikeaa pituutta voit käyttää nykyistä proteesia mittauslaitteena.

Jos vanhan proteesin ulkosiivekkeen ja limakalvoseinämän väliin jää liikaa tilaa (3 mm / ~0,12 tuuma tai enemmän), tarvitaan lyhyempi proteesi. Jos proteesi istuu liian tiukasti, tarvitaan pitempi proteesi.

2.2 Valmistelu

(Kuva 3-6)

Sovita ääniproteesi paikalleen

1. Varmista, että ääniproteesi on asetettu oikein asettimeen, että se on kiinnitetty tukevasti ja että asettimen kärki on asetettu kokonaan ääniproteesin siniseen renkaaseen (kuva 3).

Taita ruokatorviulokkeen laippa

2. Tarkista, että asetin on asetettu oikein taittotyökalun kanssa (asetin on napsautettava taittotyökaluun).
3. Purista taittotyökalu yhteen kahdella sormella (kuva 4).
4. Liitä latausputki pitäen taittotyökalu suljettuna ja käännä latausputkea, kunnes se lukittuu paikalleen (kuva 5).
(Ei sovellu kapseliasennukseen)

Lataus

5. Työnnä asetinta eteenpäin, kunnes ääniproteesi on linjassa latausputken näkyvän renkaan kanssa (kuva 6). (Ei sovellu kapseliasennukseen)

Poista vanha ääniproteesi

6. Poista nykyinen (vanha) proteesi TE-punktiokohdasta vetämällä se ulos hampaattomalla suonapuristimella. Vaihtoehtoisesti lääkärin harkinnan mukaan voidaan ulkosiivekkeeseen voidaan tarttua pihdeillä ja katkaista se. Sitten jäljelle jäänyt proteesi työnnetään ruokatorveen, jossa se kulkeutuu suoliston läpi. Potilaan suolistosairaushistoria on otettava huomioon ennen tämän menetelmän käyttöä.

Valmistele punktiokohta (valinnainen)

7. Punktiokohtaa voidaan laajentaa ääniproteesin asennusta varten. Se ei ole yleensä tarpeen, mutta voi helpottaa asennusta, jos potilaalla on kulmikas tai tiukka punktio, joka voi helposti puristua kasaan.

2.3 Asettaminen, anterogradinen vaihtaminen

Provox Vega -ääniproteesin ja Provox Insertion System -sisäänviejäjärjestelmän asettamiseen voidaan käyttää neljää menetelmää. Menetelmä valitaan lääkärin harkinnan mukaan.

2.3.1 Järjestelmäasetus: Koko sisäänviejäjärjestelmää käytetään.

2.3.2 Putkiasetus: Taittotyökalu poistetaan ennen asetusta.

2.3.3 Yliasettaminen (overshoot): Koko ääniproteesi avataan ruokatorvessa ja vedetään sitten takaisin oikeaan asentoonsa.

2.3.4 Kapseliasetus: Ääniproteesi asetetaan Provox Capsule -kapseliin ennen asetusta.

2.3.1 Menetelmä 1: Järjestelmäasetus

1. Siirry sisään TE-punktiokohtaan

Pidä kiinni Provox Insertion System -sisäänviejäjärjestelmän latausputkesta. Siirry sisään punktiokohtaan latausputken kärjellä. Jatka varoen, jos kohtaat vastustusta. Jos vastustusta tuntuu, laajennus ja/tai voitelu voivat helpottaa asetusta.

2. Asenna ääniproteesi

Pidä latausputkea vakaana toisella kädellä ja työnnä asetinta toisella kädellä, kunnes distaalisen tarttumispinnan nuolet ovat tasassa taittotyökalun pohjan reunan kanssa (kuva 7). Tässä vaiheessa ääniproteesin ruokatorviuloke on täysin avautunut ruokatorvessa.

3. Irrota ääniproteesi

Vedä latausputki ja taittotyökalu yhdessä suoraan ulos punktiokohdasta. Ääniproteesi jää punktiokohtaan yhä lujasti kiinnitettynä asetteeseen.

4. Viimeistele toimenpide

Viimeistele toimenpide asetuksen jälkeen osiossa 2.5 kuvatulla tavalla.

2.3.2 Menetelmä 2: Putken asetus

Näkyvyyttä voidaan parantaa poistamalla taittotyökalu, kun proteesi on työnnetty latausputkeen.

Huom.: On tärkeää käyttää Provox Insertion System -sisäänviejäjärjestelmää aina siten, että taittotyökalu on liitetty proteesin lataamisen aikana. Näin voidaan varmistaa ruokatorviulokkeen asianmukainen taittuminen.

1. Poista taittotyökalu

Poista taittotyökalu avaamalla ja irrottamalla se latausputkesta (kuva 8).

2. Siirry sisään TE-punktiokohtaan

Pidä kiinni Provox Insertion System -sisäänviejäjärjestelmän latausputkesta. Siirry sisään punktiioon latausputken kärjellä. Jatka varoen, jos kohtaat vastustusta. Jos vastustusta tuntuu, laajennus ja/tai voitelu voi helpottaa asetusta.

3. Asenna ääniproteesi

Työnnä asetinta toisella kädellä, kunnes proksimaalisen tarttumapinnan nuolet ovat tasassa latausputken kanssa (kuva 9). Tässä vaiheessa ääniproteesin ruokatorviuloke on täysin avautunut ruokatorvessa.

4. Irrota ääniproteesi

Pitele latausputkea toisella kädellä ja asetinta toisella. Vedä sekä latausputkea että asetinta takaisin, kunnes tunnet, että ruokatorviuloke on yltänyt ruokatorven anterioriseen seinämään. Päästä sitten irti asettimesta ja vedä latausputki suoraan ulos punktiokohdasta. Ulkosiiveke vapautuu.

Huom.: Jos ulkosiiveke avautuu ruokatorvessa tai punktiossa (tahaton yliasetus), tartu ulkosiivekkeestä hampaattomalla suonenpuristimella ja vedä/pyöritä ääniproteesi paikalleen.

5. Viimeistele toimenpide

Viimeistele toimenpide asetuksen jälkeen osiossa 2.5 kuvatulla tavalla.

2.3.3 Menetelmä 3: Yliasettaminen (overshoot)

Toisinaan Provox Vega -ääniproteesi yliasetetaan, jotta voidaan varmistaa ruokatorviulokkeen täysi hyödyntäminen vaikeissa TE-punktioidissa.

1. Poista taittotyökalu (valinnainen)

Kun proteesi on työnnetty latausputkeen, poista taittotyökalu avaamalla se ja irrottamalla se latausputkesta (kuva 8).

2. Siirry sisään TE-punktiioon

Pidä kiinni Provox Insertion System -sisäänviejäjärjestelmän latausputkesta. Siirry sisään punktiioon latausputken kärjellä. Jatka varoen, jos kohtaat vastustusta. Jos vastustusta tuntuu, laajennus ja/tai voitelu voi helpottaa asetusta.

3. Asenna ääniproteesi

Pidä latausputkea vakaana toisella kädellä ja työnnä asetinta toisella kädellä, kunnes proksimaalisen tarttumispinnan yli (kuva 10). Tässä vaiheessa ääniproteesi on täysin avautunut ruokatorvessa (kuva 11).

Jos yliasetus tehdään taittotyökalu asennettuna, työnnä asetinta distaalisen tarttumispinnan yli. Tässä vaiheessa ääniproteesi on täysin avautunut ruokatorvessa (kuva 12).

4. Irrota ääniproteesi

Vedä latausputki suoraan ulos punktiosta. Proteesi jää ruokatorveen yhä lujasti kiinnitettynä asetteeseen. Tartu ulkosiivekkeeseen hampaattomalla suonenpuristimella ja vedä/pyöritä ääniproteesi paikalleen.

5. Viimeistele toimenpide

Viimeistele toimenpide asetuksen jälkeen osiossa 2.5 kuvatulla tavalla.

2.3.4 Menetelmä 4: Kapseliasetus

Käyttötarkoitus

Provox Capsule -kapseli on kertakäyttöinen apuväline, jolla lääkäri voi tehdä tavallisen ääniproteesin anterogradisen sisäänviennin laryngektomiapotilaan trakeoesophageaaliseen punktiokohtaan.

Tuotekuvaus

Provox Capsule -kapseli on valmistettu vesiliukoisesta kasviperäisestä materiaalista. Kapseleita on saatavana kolme eri kokoa, joista kukin sopii joko 17, 20 tai 22,5 F:n läpimitan ääniproteesiin.

VAROITUKSET

- Varmista aina, että ääniproteesi on taitettu oikein ja asetettu kunnolla Provox Capsule -kapselin sisään ennen sisäänvientiä. Jos Provox Capsule -kapseli irtoaa paikaltaan ennenaikaisesti, potilas voi vetää sen henkitorveen. Huomaa, että voiteluaineet voivat heikentää kapselin kiinnittymistä.
- Älä käytä Provox Capsule -kapselia, jos epäilet sen kontaminoituneen.
- Älä käytä Provox Capsule -kapselia, jos pakkaus tai kapselit näyttävät vaurioituneilta.
- Varmista, että ääniproteesi toimii sen jälkeen, kun se on asetettu paikalleen TE-punktiokohtaan. Noudata asetuksen jälkeen aina turvallisuuteen liittyviä varotoimia, jotka kerrotaan ääniproteesin käyttöohjeissa.

VAROTOIMET

- Älä käytä teräviä esineitä ruokatorviulokkeen asettamiseksi Provox Capsule -kapselin sisään, sillä tämä voi vaurioittaa ääniproteesia.
- Käytä vain sellaista Provox Capsule -kapselia, joka on saman kokoinen tai yhden koon verran suurempi kuin ääniproteesin läpimitta.

Provox Insertion System -sisäänviejäjärjestelmän taittotyökälyä voidaan käyttää tavallisen Provox Vega -ääniproteesin ruokatorviulokkeen taittamiseen Provox Capsule -kapseliin*. Tässä toimenpiteessä ei käytetä latausputkea.

1. Aseta proteesi Provox Capsule -kapseliin

Hävitä Provox Capsule -kapselin pitkä osa ja käytä lyhyttä osaa paikalleen asetusta varten. Purista taittotyökäly yhteen kahdella sormella ja aseta kapseli taittotyökälyn aukkoon (kuva 13). Pidä taittotyökälyä koossa pitelemällä kapselia alhaalla etusormella (kuva 14). Voit vaihtoehtoisesti käyttää Provox TwistLock -välinettä taittotyökälyn pitämiseen koossa. Työnnä asetustappia lujasti eteenpäin. Näin ääniproteesin ruokatorviuloke latautuu kapseliin.

2. Tarkista asianmukainen lataus

Ääniproteesi on nyt ladattu Provox Capsule -kapseliin ja taittotyökäly voidaan poistaa asetustapista. Vahvista, että ruokatorviuloke on kapselin sisällä (kuva 15). Ellei ääniproteesi taitu kunnolla, latausprosessi on toistettava uudella Provox Capsule -kapselilla. Varmista, että ääniproteesin silikoninauha on kiinnitetty asettimeen, joka on tarkoitettu proteesin sisäänviemiseksi punktiokohtaan.

3. Poista vanha ääniproteesi ja valmistele TE-punktiokohta (katso osion 2.2 kohdat 6 ja 7).

4. Vie kapseli TE-punktiokohdan sisään.

Pidä ääniproteesia kokonaan sisäänvietyssä asennossa, kunnes Provox Capsule -kapseli on luennut ja ruokatorviuloke on kokonaan avautunut taitteesta. Vedä ääniproteesin silikoninauhasta varovasti ääniproteesin oikean asettumisen varmistamiseksi.

5. Irrota ääniproteesi

Poista asetin ääniproteesista. Ääniproteesi pysyy TE-punktiokohdassa.

6. Viimeistele toimenpide

Viimeistele toimenpide asetuksen jälkeen osiossa 2.5 kuvatulla tavalla.

* Ei ole saatavissa kaikissa maissa.

2.4 Kokoaminen ja Provox Insertion System -sisäänviejäjärjestelmän lataaminen uudelleen

Ellei ensimmäinen Provox Vegan asetusyritys TE-punktiokohtaan onnistunut, ääniproteesi voidaan ladata uudelleen Provox Insertion System -sisäänviejäjärjestelmään.

Sovita ääniproteesi paikalleen

1. Asenna ääniproteesi asettimen päälle trakeaalipuoli alaspäin.
2. Liitä varmistusnauha viemällä se liitäntäuran läpi kummalta tahansa puolelta.
3. Varmista, että ääniproteesi on asetettu oikein asettimeen, että se on kiinnitetty tukevasti ja että sen kärki on asetettu kokonaan ääniproteesin siniseen renkaaseen (kuva 3).

Yhdistä taittotyökäly

4. Ohjaa asetin taittotyökälyn aukon läpi, kunnes se napsahtaa paikalleen. Vedä asetinta, kunnes se napsahtaa taittotyökälyyn (kuva 16). Provox Insertion System -sisäänviejäjärjestelmä on nyt valmis valmisteluun. Jatka valmistelua edellä osiossa 2.2 kuvatulla tavalla.

HUOMIO: Älä tee uudelleenlatausta useammin kuin kahdesti. Jos Provox Vega -ääniproteesissa näkyy vaurioitumisen merkkejä, älä käytä ääniproteesia.

2.5 Toimenpiteen viimeisteleminen

Asetuksen jälkeen:

Varmista oikea istuvuus

1. Varmista ääniproteesin oikea asettuminen kääntämällä asetinta ja vetämällä sitä kevyesti (kuva 17). Proteesi on oikeassa asennossa, kun varmistusnauha osoittaa alaspäin.

Testaa asianmukainen toiminta

2. Harjaa Provox Vega Provox Brush -harjalla. Testaa proteesin oikea toiminta pyytämällä potilasta puhumaan ja tarkkailemalla, ettei proteesista vuoda vettä potilaan juodessa vettä (kuva 18).

Leikkaa varmistusnauha

3. Kun olet varmistanut, että ääniproteesi on asetettu asianmukaisesti, leikkaa varmistusnauha samalle tasolle ulkosiivekkeen kanssa (kuva 19). Provox Vega -ääniproteesi on nyt käyttövalmis.

2.6 Hävittäminen

Noudata aina lääketieteellistä käytäntöä ja biovaarallisia aineita koskevia kansallisia vaatimuksia lääkinnällistä laitetta hävitettäessä.

3. Tärkeää potilastietoa

3.1 Yleistietoa

Varmista, että potilas osaa ottaa yhteyttä lääkäriin seuraavissa tilanteissa:

- proteesin ympäriltä tai sen läpi tulee vuotoa (yskimistä ja/tai muutoksia liman värissä)
- puhuminen käy vaikeaksi (vaatii enemmän ponnistelua ja/tai ääni kuulostaa kireämmältä)
- avanteen tai trakeastooman alueella näkyy merkkejä tulehduksesta tai kudosuutoksista (kipua, punoitusta, lämpöä, turpoamista, verijälkiä harjassa puhdistuksen jälkeen).

Kerro myös potilaille seuraavat tiedot:

- Proteesin vaihtamisen jälkeen ysköksissä voi olla verta. Se voi tulla TE-avanteen reunojen granulaatiokudoksesta.
- Provox Vega Plug -tulppa vuoto ääniproteesin läpi voidaan pysäyttää tilapäisesti.
- Puheterapeutin palveluja suositellaan parhaan mahdollisen puheäänien, sujuvan puheen ja parhaan ymmärrettävyyden varmistamiseksi.

3.2 Proteesin huolto

Kerro potilaille, milloin ja miten Provox Vega -ääniproteesi on puhdistettava. Proteesin puhdistaminen vähintään kahdesti päivässä voi auttaa pidentämään laitteen käyttöikä.

HUOM.: Käytä proteesin puhdistuksessa vain alkuperäisiä Provox-lisävarusteita, jotka on tarkoitettu käytettäväksi Provox Vega -proteesin kanssa.

- Harjaa proteesi kahdesti päivässä Provox Brush -harjalla liman ja ruokajäämien poistamiseksi.
- Proteesin huuhtelu Provox Flush -huuhtelulaitteella auttaa puhdistamaan ruokajäämät ja limat proteesista, mikä voi lisätä laitteen käyttöikä.
Huom.: Provox Flush -huuhtelulaite on tarkoitettu vain sellaisten potilaiden käyttöön, jotka laitteen määrännyt lääkäri on arvioinut ja todennut, että he pystyvät ymmärtämään ja seuraamaan johdonmukaisesti käyttöohjeita ilman lääkärin valvontaa.
- Joidenkin ruokavalioon liittyvien toimenpiteiden, kuten päivittäisen maitohappobakteereja sisältävän jogurtin tai piimän nauttimisen, on todettu auttavan runsasta hiivasienten kasvua vastaan.

Lisätietoa Provox Vegan puhdistamisesta on jokaisen lisätarvikkeen käyttöohjeissa.

4. Lisätietoja

4.1 Yhteensopivuus magneettikuvauksen, röntgenkuvauksen ja sädehoidon kanssa

Provox-ääniproteesit on testattu turvallisiksi käyttää magneettikuvauksessa (testattu 3 teslaan saakka), röntgenkuvauksessa ja sädehoidossa (testattu 70 Gy:n annokseen saakka). Proteesi voidaan jättää TE-punktiokohtaan tutkimuksen/hoidon ajaksi. Huomaa, että röntgenpositiivinen venttiilin istukka näkyy röntgenkuvantamisessa.

4.2 Laitteen käyttöikä

Laitteen käyttöikä vaihtelee yksilöllisistä biologisista olosuhteista riippuen eikä laitteen eheyttä voi ennakoita pidemmällä aikavälillä. Esimerkiksi bakteerit ja hiivat vaikuttavat laitteen materiaaliin ja ennen pitkää sen rakenteellinen eheys heikkenee.

Simuloidusta käytöstä 12 kuukauden ajan tehdyt laboratoriotestit osoittavat, että ilman hiivoja ja bakteereja laite säilyttää rakenteellisen eheydensä tämän ajan. Laitetta ei ole testattu yli 12 kuukauden käytössä. Tämän aikarajan ylittävä käyttö perustuu yksinomaan hoidon määrääjän harkintaan.

4.3 Yhteensopivuus sienilääkkeiden kanssa

Laboratoriotestien mukaan seuraavien sienilääkkeiden käytöllä on ainoastaan vähäinen kielteinen vaikutus Provox Vega -ääniproteesin ja sen osien toimintaan: nystatiini, flukonatsoli ja mikonatsoli.

5. Ilmoittaminen

Huomaa, että kaikki laitete koskevat, vakavat tapahtumat ilmoitetaan valmistajalle ja käyttäjän ja/tai potilaan asuinmaan kansalliselle viranomaiselle.

ČESKY

Provox Vega

1. Popis

1.1 Účel použití

Hlasová protéza Provox Vega je sterilní vnitřní hlasová protéza na jednorázové použití, určená pro rehabilitaci hlasu po chirurgickém odstranění hrtanu (laryngotomie). Čištění protézy provádí pacient, zatímco protéza zůstává uvnitř.

Zaváděcí systém Provox Insertion System je sterilní zařízení na jednorázové použití, určené pro anterográdní výměnu hlasové protézy Provox Vega. Zavedení provádí lékař nebo školený zdravotnický pracovník v souladu s místními nebo státními předpisy.

Zaváděcí systém Provox Insertion System není určen pro zavádění hlasové protézy do čerstvě vytvořené punkce.

1.2 Popis zařízení

Obecné

Provox Vega je sterilní jednocestný ventil (protéza), který udržuje TE punkci otevřenou pro řeč, a zároveň snižuje riziko vniknutí tekutin a potravy do trachey. Hlasová protéza Provox Vega není permanentní implantát a musí se pravidelně vyměňovat. Protéza (obr. 1) je dostupná v různých průměrech a několika délkách. Je vyrobena z lékařské silikonové pryže a fluoroplastu.

Balení Provox Vega

Balení Provox Vega obsahuje tyto položky:

- 1 předem smontovaná hlasová protéza Provox Vega v zaváděcím systému na jednorázové použití, sterilní (obr. 2)
- 1 kartáček Provox Brush velikostně odpovídající hlasové protéze, nesterilní
- 1 návod pro lékaře k zařízení Provox Vega
- 1 příručka pro pacienta k zařízení Provox Vega
- 1 návod k použití kartáčku Provox Brush

1.3 KONTRAINDIKACE

U pacientů, kteří již protetikou hlasovou rehabilitaci používají, nejsou známy žádné kontraindikace použití nebo výměny protézy Provox Vega.

1.4 VAROVÁNÍ

- Může dojít k **dislokaci nebo vytlačení hlasové protézy Provox Vega** z TE punkce a následnému spolknutí, vdechnutí nebo poškození tkáně. Cizí těleso v dýchacích cestách může vyvolat závažné komplikace, jako například akutní respirační tíseň a/nebo zástavu dechu.
- **Vyberte správnou velikost protézy.** Příliš těsná fixace může způsobit nekrózu tkáně a extruzi.
- **Poučte pacienta, aby se ihned poradil s lékařem** v případě jakýchkoli známek otoku a/nebo zánětu či infekce tkáně.
- **Poučte pacienta, aby se obrátil na lékaře,** dojde-li k úniku tekutiny z hlasové protézy nebo kolem ní. Únik může vést k aspirační pneumonii.
- **Pokud je používáte, vyberte laryngotomické trubičky nebo stomické knoflíky** vhodného tvaru, které během zavádění nebo odstraňování laryngotomické trubičky nebo stomického knoflíku nevyvíjejí tlak na protézu ani se nezachytávají o tracheální manžetu protézy. To může vést k závažnému poškození tkáně a/nebo náhodnému spolknutí protézy.
- **Informujte pacienta, aby k údržbě používal pouze originální příslušenství Provox** odpovídající velikosti (Brush, Flush, Plug) a aby s hlasovou protézou neprováděl žádnou jinou manipulaci.
- Při **opakovaném použití a opakovaném zpracování** může dojít ke zkřížené kontaminaci a k poškození zařízení, což může způsobit újmu pacientovi.

1.5 BEZPEČNOSTNÍ OPATŘENÍ

- Před zavedením nebo výměnou protézy pečlivě vyšetřete pacienty s krvácivými poruchami a pacienty, kteří užívají antikoagulanty, zda u nich nehrozí riziko krvácení nebo nadměrného krvácení.
- Před použitím balení zkontrolujte. Pokud je balení poškozené nebo otevřené, výrobek nepoužívejte.
- Při manipulaci s protézou vždy používejte aseptickou techniku, aby se snížilo riziko infekce.

2. Návod k použití

2.1 Volba velikosti hlasové protézy

Volba správného průměru a délky vnějšího pláště vyměňované protézy

Dbejte na to, abyste použili hlasovou protézu Provox Vega se správným průměrem a délkou vnějšího pláště. Hlasová protéza Provox Vega se dodává s různým průměrem a délkou vnějšího pláště.

• Výběr průměru vnějšího pláště

Lékař musí určit správný průměr protézy, který je pro daného pacienta vhodný.

Pokud je zvolený průměr větší než předchozí protéza, dýchací trubice se musí rozšířit pomocí zařízení na dilataci Provox Dilator podle průměru protézy, která má být zavedena.

Pokud je zaváděna protéza s menším průměrem, ujistěte se, že punkce se stáhla na příslušný průměr.

• Výběr délky vnějšího pláště

Vyberte správnou velikost, jako měřítko můžete použít stávající protézu.

Pokud je mezi tracheální manžetou staré protézy a stěnou sliznice větší prostor (tj. 3 mm/~0,12 palce), je nutné použít kratší protézu. Pokud je protéza příliš těsná, je nutné použít delší protézu.

2.2 Příprava

(Obr. 3–6)

Umístěte hlasovou protézu

1. Dbejte na to, aby hlasová protéza byla na hrotu zavaděče řádně umístěna, pevně připojena a aby celý hrot zavaděče byl zasunutý do modrého kroužku hlasové protézy (obr. 3).

Ohněte jícnovou manžetu

2. Ověřte si, že zavaděč je pomocí ohýbače správně umístěn (zavaděč uchopíme do ohýbače).
3. Ohýbač stiskněte dvěma prsty (obr. 4).
4. Zatímco ohýbač držíte zavřený, připojte zavaděcí tubu a otočte jí tak, až zacvakne na místo (obr. 5).
(Neplatí při zavádění kapsle.)

Naplňte

5. Tlačte na zavaděč směrem vpřed, až se hlasová protéza spojí s viditelnou částí zaváděcí tuby (obr. 6). (Neplatí při zavádění kapsle.)

Vyjměte starou hlasovou protézu

6. Z TE punkce vyjměte stávající (starou) protézu tak, že ji vytlačíte ven neozubeným peánem. Tracheální manžetu lze případně uchopit kleštěmi a odstříhnout ji; rozhodnutí je na lékaři. Zbytek protézy se pak vytlačí do jícnu, odkud projde trávicím traktem. Před použitím tohoto způsobu musí být zohledněno jakékoli onemocnění trávicího traktu v anamnéze.

Připravte punkci (volitelné)

7. Při přípravě na zavedení hlasové protézy může být provedena dilatace punkce. Obvykle to není nutné, ale může to usnadnit zavádění u pacientů se zakřivenými nebo úzkými punkcemi, které snadno kolabují.

2.3 Zavedení, postup anterográdní výměny

Při zavádění hlasové protézy Provox Vega zaváděcím systémem Provox Insertion System je možné použít čtyři způsoby. Výběr metody je na rozhodnutí lékaře.

- 2.3.1 Systémové zavedení: Používá se celý zaváděcí systém.
- 2.3.2 Zavedení tubou: Před zavedením se odstraní ohýbač.
- 2.3.3 Zavedení přetažením: Celá hlasová protéza se umístí do jícnu a pak se stáhne do požadované polohy.
- 2.3.4 Zavedení kapsle: Před zavedením se hlasová protéza umístí do kapsle Provox Capsule.

2.3.1 Metoda č. 1: Systémové zavedení

1. Vstupte do TE punkce

Zaváděcí systém Provox Insertion System držte za zaváděcí tubu. Hrot zaváděcí tuby zasuňte do punkce. Pokud narazíte na odpor, postupujte opatrně. Při odporu může zavádění usnadnit dilatace a/nebo lubrikace.

2. Zaveďte hlasovou protézu

Jednou rukou držte zaváděcí tubu a druhou rukou tlačte na zavaděč, až jsou šipky na povrchu distální části zavaděče v jedné rovině s ohýbačem (obr. 7). V tomto bodě je jícnová manžeta hlasové protézy v jícnu zcela neohnutá.

3. Uvolněte hlasovou protézu

Zaváděcí tubu a ohýbač současně vytáhněte ven z punkce. Hlasová protéza zůstává v punkci, a to stále pevně připojená k zavaděči.

4. Dokončete proceduru

Po zavedení proceduru dokončete podle popisu v oddílu 2.5.

2.3.2 Metoda č. 2: Zavádění tubou

Po vtlačení protézy do zaváděcí tuby může být pro zvýšení viditelnosti vyjmut ohýbač.

Poznámka: Při zasouvání protézy do zavaděče je důležité vždy používat zaváděcí systém Provox Insertion System s připojeným ohýbačem, aby se zajistilo řádné založení jícnové manžety.

1. Vyjměte ohýbač

Ohýbač odstraníte tak, že jej cvaknutím odpojíte od zaváděcí tuby (obr. 8).

2. Vstupte do TE punkce

Zaváděcí systém Provox Insertion System držte za zaváděcí tubu. Hrot zaváděcí tuby zasuňte do punkce. Pokud narazíte na odpor, postupujte opatrně. Při odporu může zavádění usnadnit dilatace a/nebo lubrikace.

3. Zaveďte hlasovou protézu

Druhou rukou zatlačte na zavaděč tak, že šipky na povrchu proximální části jsou v jedné rovině se zaváděcí tubou (obr. 9). V tomto bodě je jícnová manžeta hlasové protézy v jícnu zcela neohnutá.

4. Uvolněte hlasovou protézu

Jednou rukou držte zaváděcí tubu a druhou rukou držte zavaděč. Zaváděcí tubu i zavaděč táhněte zpět, až ucítíte, že jícnová manžeta dosáhla přední stěny jícnu. Pak zavaděč pusťte a zaváděcí tubu z punkce rovně vytáhněte. Tím se uvolní tracheální manžeta.

Poznámka: Pokud se tracheální manžeta v jícnu nebo punkci rozbálí (nechtěně uvolnění), uchopte ji neozubeným peánem a hlasovou protézu zaveďte tahem/ krouživým pohybem na místo.

5. Dokončete proceduru

Po zavedení proceduru dokončete podle popisu v oddílu 2.5.

2.3.3 Metoda č. 3: Zavedení přetažením

Zavedení hlasové protézy Provox Vega přetažením se příležitostně provádí, aby se zajistil úplný rozvoj jícnové manžety u obtížných TE punkci.

1. Vyjměte ohýbač (volitelné)

Po zatlačení protézy do zaváděcí tuby vyjměte ohýbač tak, že jej cvaknutím odpojíte od zaváděcí tuby (obr. 8).

2. Vstupte do TE punkce

Zaváděcí systém Provox Insertion System držte za zaváděcí tubu. Hrot zaváděcí tuby zasuňte do punkce. Pokud narazíte na odpor, postupujte opatrně. Při odporu může zavádění usnadnit dilatace a/nebo lubrikace.

3. Zaveďte hlasovou protézu

Jednou rukou držte pevně zaváděcí tubu a druhou rukou tlačte zavaděč za povrch proximální části (obr. 10). V tomto bodě je protéza plně zasazena do jícnu (obr. 11). Pokud je ohýbačem, který je stále smontovaný, prováděno zavedení přetažením, zavaděč tlačte za povrch distální části. V tomto bodě je hlasová protéza plně zasazena do jícnu (obr. 12).

4. Uvolněte hlasovou protézu

Zaváděcí tubu vytáhněte rovně z punkce. Protéza zůstává v jícnu a je stále pevně napojena na zavaděč. Tracheální manžetu uchopte neozubeným peánem a tahem/krouživým pohybem dejte hlasovou protézu na místo.

5. Dokončete proceduru

Po zavedení proceduru dokončete podle popisu v oddílu 2.5.

2.3.4 Metoda č. 4: Zavedení v kapsli

Zamýšlené použití

Provox Capsule je příslušenství k jednorázovému použití pro anterográdní erográdní zavedení standardní hlasové protézy lékařem do tracheozofageální punkce pacienta po laryngektomii.

Popis zařízení

Kapsle Provox Capsule jsou vyrobeny z materiálu rostlinného původu rozpustného ve vodě. K dispozici jsou s rozměry odpovídajícími čtyřem různým průměrům hlasové protézy: 17, 20 a 22,5 Fr.

VAROVÁNÍ

- Před zavedením vždy ověřte správné ohnutí hlasové protézy a její řádné zasunutí do kapsle Provox Capsule. Pokud by se kapsle Provox Capsule oddělila předčasně, mohlo by dojít k jejímu vdechnutí. Mějte na paměti, že lubrikanty mohou mít nepříznivý vliv na připojení kapsle Capsule.
- V případě podezření na kontaminaci kapsle Provox Capsule nepoužívejte.
- Kapsle Provox Capsule nepoužívejte, pokud se obal nebo kapsle zdají být poškozené.
- Po zavedení hlasové protézy do TE-punkce ověřte její funkčnost. Zavaděč se vždy řiďte bezpečnostními opatřeními uvedenými v návodu k použití hlasové protézy.

BEZPEČNOSTNÍ OPATŘENÍ

- K zavádění kapsle Provox Capsule do jícnové manžety nepoužívejte ostré předměty, protože by mohlo dojít k poškození hlasové protézy.
- Používejte pouze kapsli Provox Capsule stejné velikosti nebo o jednu velikost větší, než je průměr hlasové protézy.

Ohýbač zaváděcího systému Provox Insertion System může být použit pro založení jícnové manžety standardní hlasové protézy Provox Vega do kapsle Provox Capsule*. Při této proceduře se zaváděcí tuba nepoužívá.

1. Zasuňte protézu do kapsle Provox Capsule

Delší část kapsle Provox Capsule zlikvidujte a k zavedení použijte kratší část. Ohýbač stiskněte dvěma prsty a do jeho ústí umístěte kapsli (obr. 13). Držte ohýbač pohromadě a ukazovákem držte kapsli směrem dolů (obr. 14). Případně použijte Provox TwistLock, abyste udrželi ohýbač pohromadě. Zavaděč tlačte pevně směrem dopředu; tím se zasune jícnová manžeta hlasové protézy do kapsle.

2. Zkontrolujte řádné zasunutí

Hlasová protéza je nyní zasunutá do kapsle Provox Capsule a ze zavaděče se může sundat ohýbač. Ověřte si, že jícnová manžeta je uvnitř kapsle (obr. 15). Pokud hlasová protéza není řádně ohnutá, proces zasouvání se musí zopakovat s novou kapslí Provox Capsule. Ověřte, že je páska hlasové protézy pevně připojena k zaváděcímu kolíku určenému k zavedení protézy do punkce.

3. Vyjměte starou hlasovou protézu a připravte TE punkci (viz oddíl 2.2, body 6 a 7).

4. Zaveďte kapsli Provox Capsule do punkce

Držte hlasovou protézu v pozici úplného zavedení, dokud se kapsle Provox Capsule nerozpustí a jícnová manžeta se zcela nerozbalí. Lehkým zatažením za pásku hlasové protézy ověřte, že je ve správné pozici.

5. Uvolněte hlasovou protézu

Vyjměte z hlasové protézy zaváděcí kolík. Hlasová protéza zůstává v punkci.

6. Dokončete proceduru

Po zavedení proceduru dokončete podle popisu v oddílu 2.5.

*Není k dispozici ve všech zemích.

2.4 Montáž a opětovné naplnění zaváděcího systému Provox Insertion System

Pokud byl první pokus zavést hlasovou protézu Provox Vega do TE punkce neúspěšný, je možné ji znovu zasunout do zaváděcího systému Provox Insertion System.

Umístěte hlasovou protézu

1. Hlasovou protézu namontujte na konec zavaděče, a to tracheální stranou dolů.
2. Připevňte bezpečnostní pásku tak, že ji z každé strany provlečete připevňovacím otvorem.
3. Dbejte na to, aby hlasová protéza byla na hrotu zavaděče řádně umístěna, pevně připojena a aby celý hrot zavaděče byl zasunutý do modrého kroužku hlasové protézy (obr. 3).

Připojte ohýbač

4. Zavaděč veďte ústím ohýbače, až zacvakne na místo. Zavaděč tahejte tak dlouho, až zapadne do ohýbače (obr. 16). Zaváděcí systém Provox Insertion System je nyní připravený. Pokračujte v přípravě tak, jak je popsáno v oddílu 2.2.

UPOZORNĚNÍ: Zařízení neplňte více než dvakrát. Pokud jsou na hlasové protéze Provox Vega známky jakéhokoli poškození, nepoužívejte ji.

2.5 Dokončení procedury

Po zavedení:

Zajistěte řádné usazení

1. Zajistěte řádné umístění hlasové protézy rotací a jemným tahem zavaděče (obr. 17). Protéza má ideální pozici, když bezpečnostní páska směřuje dolů.

Otestujte správnou funkci

2. Hlasovou protézu Provox Vega očistíte kartáčkem Provox Brush. Otestujte správnou funkci protézy tím, že pacienta požádáte, aby mluvil, a také pozorujte, jestli za protézy neuniká voda, když pacient pije (obr. 18).

Odstříhnete bezpečnostní pásku

3. Poté, co si ověříte, že hlasová protéza je umístěna správně, odstříhnete bezpečnostní pásku tak, aby byla v jedné rovině s tracheální manžetou (obr. 19). Hlasová protéza Provox Vega je nyní připravena k použití.

2.6 Likvidace

Při likvidaci použitého zdravotnického prostředku vždy postupujte podle lékařské praxe a vnitrostátních požadavků týkajících se nakládání s biologickým odpadem.

3. Důležité informace pro pacienta

3.1 Obecné informace

Dbejte na to, aby pacient rozuměl tomu, že se má obrátit na lékaře, když:

- Dochází k prosakování přes protézu nebo kolem ní (kašel nebo změna barvy hlenu).
- Mluvení se stává obtížným (je nutno vyvíjet zvýšenou snahu nebo zvuk hlasu zní napjatěji).
- V místě punkce nebo oblasti stomatu jsou známky zánětu (bolest, zarudnutí, pocit tepla, otok, stopy krve na kartáčku po čištění).

Pacienta také informujte, že:

- Po výměně protézy se ve sputu mohou objevit stopy krve. Tato krev pravděpodobně pochází z granulační tkáně na okrajích TE punkce.
- K dočasnému zastavení úniku tekutin z hlasové protézy může být použita zátká Provox Vega Plug.
- Pro dosažení optimálního zvuku hlasu, plynulé řeči a optimální srozumitelnosti se doporučuje trénování řeči se školeným lékařem.

3.2 Údržba protézy

Pacienta poučte, jak a kdy si má čistit hlasovou protézu Provox Vega. Čištění protézy alespoň dvakrát denně může pomoci prodloužit její životnost.

UPOZORNĚNÍ: Při čištění protézy používejte pouze originální příslušenství Provox, které je určeno pro použití s výrobkem Provox Vega.

- Čištění protézy kartáčkem Provox Brush dvakrát denně pomáhá odstranit z protézy hlen a zbytky jídla.
- Pevné částečky a hlen pomáhá z protézy odstranit také propláchnutí přípravkem Provox Flush, což může pomoci prodloužit životnost zařízení.
Poznámka: Přípravek Provox Flush je určen pouze pro použití pacienty, kteří jsou podle lékaře, který zařízení předepsal, schopni pochopit a důsledně dodržovat návod k použití bez dohledu lékaře.
- Proti nadměrnému růstu kvasinek Candida je užitečné přijmout určitá dietní opatření, například denní příjem jogurtu nebo podmáslí, které obsahují laktobacily.

Podrobné informace o tom, jak čistit hlasovou protézu Provox Vega, najdete v návodu k použití pro každé příslušenství.

4. Další informace

4.1 Kompatibilita s MRI, rentgenem a radioterapií

Hlasové protézy Provox Vega byly testovány na kompatibilitu s magnetickou rezonancí (testováno až do 3 Tesla), rentgenem a radioterapií (testováno až do 70 Gy) a bylo zjištěno, že jsou kompatibilní. Během vyšetření/terapie může být protéza ponechána na svém místě v TE punkci. Radioopákní podložka chlopně je na rentgenu viditelná.

4.2 Životnost zařízení

Životnost zařízení je různá v závislosti na individuálních biologických podmínkách a jeho integritu nelze z dlouhodobého hlediska předpovědět. Materiál zařízení budou ovlivňovat například bakterie a kvasinky, takže se jeho nenarušený stav může nakonec zhoršit.

Laboratorní testy simulovaného použití po dobu 12 měsíců ukazují, že při absenci bakterií a kvasinek si po tuto dobu zařízení uchovává strukturální integritu. Zařízení nebylo testováno po dobu delší než 12 měsíců. Používání po uplynutí tohoto limitu je na uvážení předepisující osoby.

4.3 Kompatibilita s antifungálními léčivy

Laboratorní testy prokázaly při používání následujících antifungálních léčiv jen nepatrný negativní vliv na funkci hlasové protézy Provox Vega a jejich komponent: Nystatin, Flukonazol, Mikonazol.

5. Hlášení

Berte prosím na vědomí, že každá závažná příhoda, jež nastala v souvislosti s používáním prostředku, musí být nahlášena výrobci a vnitrostátnímu orgánu země, ve které má uživatel a/nebo pacient bydliště.

Provox Vega

1. Általános információ

1.1. Rendeltetés

A Provox Vega hangprotézis steril, egyszer használatos, állandó hangprotézis, amely a hang helyreállítására szolgál a gége (larynx) műtéti eltávolítását (laryngectomia) követően. A hangprotézis tisztítását a beteg végzi el, miközben az eszköz a helyén marad.

A Provox Insertion System steril, egyszer használatos eszköz, amely a Provox Vega hangprotézis anterográd behelyezésére szolgál. Ezt a behelyezési eljárást orvos vagy szakképzett egészségügyi szakember végzi el a helyi vagy országos irányelveknek megfelelően.

A Provox Insertion System nem szolgál hangprotézis frissen készített punkcióba történő behelyezésére.

1.2. Az eszköz leírása

Általános

A Provox Vega egyirányú szelep (protézis), amely a TE-punkciót nyitva tartja beszéd céljából, miközben csökkenti annak kockázatát, hogy folyadék és étel jusson a tracheába. A Provox Vega hangprotézis nem állandó implantátum, időközönként cserélni kell. A protézis (1. ábra) különböző átméretekben és több hosszúságban kapható. Az eszköz orvosi minősítésű szilikongumból és fluoroplasztikából készült.

A Provox Vega csomag

A Provox Vega csomag a következő tételeket tartalmazza:

- 1 darab Provox Vega hangprotézis, egyszer használatos Insertion System behelyezőrendszerbe előre összeszerelve, steril (2. ábra)
- 1 darab Provox Brush kefe, a hangprotézisnek megfelelő méretben, nem steril
- 1 darab Provox Vega Kézikönyv orvosok részére
- 1 darab Provox Vega Kézikönyv betegek részére
- 1 darab Provox Brush Használati útmutató

1.3. ELLENJAVALLATOK

Nincsenek ismert ellenjavallatai a Provox Vega hangprotézis alkalmazásának vagy cseréjének olyan betegeknek, akiknél már használnak protézissel történő hangrehabilitációt.

1.4. BIZTONSÁGI FIGYELMEZTETÉSEK

- **A Provox Vega hangprotézis elmozdulhat vagy kilökődhet** a TE-punkcióból, amit lenyelés, aspiráció vagy szövetkárosodás követhet. A légutakban lévő idegen test súlyos szövődeményeket, például akut légzési elégtelenséget és/vagy légzésleállást okozhat.
- **Válassza a megfelelő méretű protézist.** A szoros illeszkedés szövetelhalást és kilökődést okozhat.
- **Utasítsa a beteget, hogy haladéktalanul forduljon orvoshoz,** ha szöveti ödéma és/vagy gyulladás/fertőzés bármely jelét tapasztalja.
- **Utasítsa a beteget, hogy haladéktalanul forduljon orvoshoz,** ha szivárgás tapasztalható a hangprotézisen keresztül vagy a körül. A szivárgás aspirációs tüdőgyulladást okozhat.
- **Ha használnál, válasszon megfelelő alakú laryngectomiás kanült vagy sztómagombot,** amely nem gyakorol nyomást a protézisre, és nem akad a laryngectomiás kanül vagy sztómagomb behelyezése vagy eltávolítása során a protézis tracheaperemébe. Ez súlyos szövetkárosodáshoz és/vagy a protézis véletlen lenyeléséhez vezethet.
- **Utasítsa a beteget, hogy karbantartáshoz csak eredeti, megfelelő méretű Provox tartozékokat használjon** (Brush kefe, Flush öblítő, Plug dugó), és kerüljön minden másfajta manipulációra.
- **Újrafelhasználása és újrafelhasználásra való előkészítése** keresztfertőzést okozhat és károsíthatja az eszközt, ami ártalmas lehet a beteg számára.

1.5. ÖVINTÉZKEDÉSEK

- A protézis behelyezése vagy cseréje előtti vérzés kockázata miatt gondosan értékeljen minden olyan beteget, aki vérzési rendellenességet mutat, vagy antikoaguláns kezelés alatt áll
- Használat előtt vizsgálja meg a csomagot. Ha a csomag sérült vagy felnyitották, ne használja a terméket.
- A protézis kezelésekor mindig alkalmazzon aszeptikus technikát a fertőzés kockázatának csökkentése érdekében.

2. Használati útmutató

2.1. A hangprotézis méretének kiválasztása

A csepreprotézis helyes szárátmérőjének és hosszának kiválasztása

Ügyeljen arra, hogy a megfelelő szárátmérőjű és hosszúságú Provox Vega hangprotézis használja. A Provox Vega különböző szárátmérővel és többféle hosszúságban kapható.

- **A szárátmérő kiválasztása**

Az orvosnak meg kell határoznia a beteg számára megfelelő protézis helyes átmérőjét.

Ha a kiválasztott átmérő nagyobb a korábbi protézisnél, a nyomvonalat ki kell tágitani a behelyezendő protézis átmérőjének megfelelő Provox Dilator tágitó segítségével.

Ha kisebb szárátmérőjű protézist helyez be, figyelje meg és győződjön meg arról, hogy a punkció a megfelelő átmérőre szűkül.

- **A szárhossz kiválasztása**

A helyes hossz kiválasztásához használhatja a jelenlegi protézist mint saját mérőeszközét.

Ha túl nagy (vagyis 3 mm/~0,12 hüvelyk vagy nagyobb) rés van a régi protézis tracheapereme és a nyálkahártya fala között, rövidebb protézist kell használni. Ha a protézis túl szorosan ül, hosszabb protézist kell használni.

2.2. Előkészítés

(3-6. ábra)

A hangprotézis elhelyezése

1. Győződjön meg arról, hogy a hangprotézis megfelelően helyezkedik el a behelyezőtüskén, stabilan rögzül, és a túske vége teljesen be van vezetve a hangprotézis kék gyűrűjébe (3. ábra).

Az oesophagusperem hajlítása

2. Győződjön meg arról, hogy a behelyezőtüske megfelelően van elhelyezve az összehajtó eszközben (a túske be van pattintva az összehajtó eszközbe).
3. Két ujjával nyomja össze az összehajtó eszközt (4. ábra).
4. Csatlakoztassa a betöltőcsövet, miközben az összehajtó eszközt összenyomva tartja, és forgassa a betöltőcsövet, amíg a helyére nem rögzül (5. ábra). (Kapszulás behelyezés esetén ezt a lépést nem kell elvégezni)

Betöltés

5. Tolja előre a bevezetőtüskét, amíg a hangprotézis a betöltőcsövön látható gyűrűvel egy vonalba nem kerül (6. ábra). (Kapszulás behelyezés esetén ezt a lépést nem kell elvégezni)

A régi hangprotézis eltávolítása

6. Távolítsa el a jelenlegi (régi) protézist a TE-punkcióból nem fogazott vérzésgátló csipesszel kihúzva. Másik lehetőségként az orvos belátása szerint a protézis tracheapereme fogóval megfogható és levágható. Ezután a protézis többi részét le kell tolni a nyelőcsőbe, hogy a bélrendszeren keresztül távozzon. A beteg kórtörténetében szereplő bélbetegségeket figyelembe kell venni a módszer használata előtt.

A punkció előkészítése (opcionális)

7. A hangprotézis behelyezésének előkészítése érdekében a punkció kitágítható. Erre általában nincs szükség, de segítheti a behelyezést olyan betegeknél, akiknél a nyílás szögben elfordul vagy szűk, és könnyen beesik.

2.3. Behelyezés, anterográd csereljárás

A Provox Vega hangprotézis négyféle módszerrel helyezhető be a Provox Insertion System segítségével. A módszerről az orvos dönt a belátása szerint.

- 2.3.1 Az egész rendszer behelyezése: A teljes behelyezőrendszert használják.
- 2.3.2 A cső behelyezése: Az összehajtó eszközt eltávolítják a behelyezés előtt.
- 2.3.3 Túllövéses behelyezés: A teljes hangprotézist az oesophagusban helyezik el, majd visszahúzzák a kívánt pozícióba.
- 2.3.4 Kapszulás behelyezés: A hangprotézist a behelyezés előtt egy Provox Capsule eszközbe helyezik.

2.3.1. 1. módszer: Az egész rendszer behelyezése

1. Bejuttatás a TE-nyílásba

Tartsa a Provox Insertion System rendszert a betöltőcsőnél fogva. Vezesse be a betöltőcső végét a nyílásba. Ha ellenállást érez, óvatosan folytassa. Ellenállás esetén a nyílás tágitása és/vagy sikosítása megkönnyítheti a behelyezést.

2. A hangprotézis behelyezése

A betöltőcsövet egyik kezével stabilan tartva a másik kezével tolja be a behelyezőtüskét, amíg a disztális megfogási felületen található nyílak egy vonalba nem kerülnek az összehajtó eszköz alsó szélével (7. ábra). Ekkor a hangprotézis oesophaguspereme teljesen ki van nyílva a nyelőcsőben.

3. A hangprotézis elengedése

Húzza ki a nyílásból egyenesen, együtt a betöltőcsövet és az összehajtó eszközt. A hangprotézis a nyílásban marad; még erősen rögzül a behelyezőtüskéhez.

4. A művelet véglegesítése

A behelyezés után véglegesítse az eljárást az alábbi 2.5. részben ismertetett módon.

2.3.2. 2. módszer: A cső behelyezése

A láthatóság javítása céljából az összehajtó eszköz eltávolítható, miután megtörtént a protézis benyomása a betöltőcsőbe.

Megjegyzés: A protézis betöltésekor a protézis oesophaguspereme megfelelő összehajtsának biztosításához fontos a Provox Insertion System rendszert a hozzá csatlakoztatott összehajtó eszközzel használni.

1. Az összehajtó eszköz eltávolítása

Az összehajtó eszköz eltávolításához szüntesse meg a rögzítést a betöltőcsőhöz, és válassza le (8. ábra).

2. Bejuttatás a TE-nyílásba

Tartsa a Provox Insertion System rendszert a betöltőcsőnél fogva. Vezesse be a betöltőcső végét a nyílásba. Ha ellenállást érez, óvatosan folytassa. Ellenállás esetén a tágitás és/vagy síkítás megkönnyítheti a behelyezést.

3. A hangprotézis behelyezése

Tolja be a behelyezőtűskét, amíg a proximális megfogási felületen található nyílak egy vonalba nem kerülnek a betöltőcsővel (9. ábra). Ekkor a hangprotézis oesophaguspereme teljesen ki van nyílvá a nyelőcsőben.

4. A hangprotézis elengedése

Egyik kezével fogja a betöltőcsövet, a másik kezével pedig a behelyezőtűskét. Húzza vissza a betöltőcsövet és a behelyezőtűskét, amíg azt nem érzi, hogy az oesophagusperem elérte a nyelőcső elülső falát. Ezután engedje el a behelyezőtűskét, és egyenesen húzza ki a betöltőcsövet a nyílásból. Ezzel kinyílik a tracheaperem. **Megjegyzés:** Ha a tracheaperem kinyílik a nyelőcsőben vagy a nyílásban (nem szándékos „tüllövés”), fogja meg a tracheaperemet egy nem fogazott vérzésgátló csipesszel, és húzza, illetve forgassa a hangprotézist a helyére.

5. A művelet véglegesítése

A behelyezés után véglegesítse az eljárást az alábbi 2.5. részben ismertetett módon.

2.3.3. 3. módszer: Tüllövéses behelyezés

A Provox Vega „tüllövéses” behelyezését esetenként használják az oesophagusperem teljes kialakulásának biztosítása érdekében, ha nehézséget okoz a TE-nyílás.

1. Az összehajtó eszköz eltávolítása (opcionális)

Miután megtörtént a protézis benyomása a betöltőcsőbe, az összehajtó eszköz eltávolításához szüntesse meg a rögzítést a betöltőcsőhöz, és válassza le (8. ábra).

2. Bejuttatás a TE-nyílásba

Tartsa a Provox Insertion System rendszert a betöltőcsőnél fogva. Vezesse be a betöltőcső végét a nyílásba. Ha ellenállást érez, óvatosan folytassa. Ellenállás esetén a tágitás és/vagy síkítás megkönnyítheti a behelyezést.

3. A hangprotézis behelyezése

A betöltőcsövet egyik kezével stabilan tartva a másik kezével tolja be a behelyezőtűskét a proximális megfogási felületen túl (10. ábra). Ekkor a hangprotézis teljes mértékben el van helyezve a nyelőcsőben (11. ábra).

Ha tüllövéses behelyezést végeznek felszerelve hagyott összehajtó eszközzel, tolja a behelyezőtűskét a disztális megfogási felületen túl. Ekkor a hangprotézis teljes mértékben el van helyezve a nyelőcsőben (12. ábra).

4. A hangprotézis elengedése

Húzza ki egyenesen a betöltőcsövet a punkcióból. A protézis a nyelőcsőben marad, továbbra is erősen rögzítve a behelyezőtűskéhez. Fogja meg a tracheaperemet egy nem fogazott vérzésgátló csipesszel, és húzza, illetve forgassa a hangprotézist a helyére.

5. A művelet véglegesítése

A behelyezés után véglegesítse az eljárást az alábbi 2.5. részben ismertetett módon.

2.3.4. 4. módszer: Kapszulabevezetés

Rendeltetészerű használat

A Provox Capsule egy egyszerű használatos kiegészítő standard hangprotézisek orvos általi anterográdf behelyezéséhez a gégeeltávolított beteg tracheoesophagealis punkciójába.

Az eszköz leírása

A Provox Capsule eszközök növényi alapú, vízben oldható anyagból készültek, és a különböző méretek három különböző átmérőjű – 17, 20 és 22,5 Fr – hangprotézis behelyezését teszik lehetővé.

FIGYELMEZTETÉSEK

- Mindig ügyeljen arra, hogy a hangprotézis megfelelően legyen összehajtvá, és a behelyezés előtt megfelelően lett behelyezve a Provox Capsule eszközbe. Ha a Provox Capsule eszköz idő előtt lejön, a beteg beszívhatja azt. Felhívjuk a figyelmét, hogy a kenőanyagok megnehezíthetik a Capsule eszköz rögzítését.
- Ne használja a Provox Capsule eszközt, ha szennyeződés gyanúja merül fel.
- Ne használja a Provox Capsule eszközt, ha a csomagolás vagy a kapszulák sérültek tűnnek.
- Ellenőrizze, hogy a hangprotézis működik a TE-punkcióba való behelyezés után. Mindig tartsa be a használati utasításban a behelyezett hangprotézisre megadott óvintézkedéseket.

ÓVINTÉZKEDÉSEK

- Ne használjon éles eszközt az oesophagusperem Provox Capsule eszközbe való behelyezéséhez, mert ez károsíthatja a hangprotézist.
- Csak a hangprotézis átmérőjével azonos vagy egy mérettel nagyobb Provox Capsule eszközt használjon.

A Provox Insertion System összehajtó eszköze segítségével egy Provox Vega hangprotézis oesophaguspereme összehajtható egy Provox Capsule kapszulába*. Ebben az eljárásban a betöltőcső nem használatos.

1. A protézis behelyezése a Provox Capsule kapszulába

Dobja ki a Provox Capsule eszköz hosszú részét, és csak a rövid részt használja a behelyezéshez. Két ujjával nyomja össze az összehajtó eszközt, és helyezze a kapszulát az összehajtó eszköz nyílásába (13. ábra). Tartsa összeszorítva az összehajtó eszközt, miközben a kapszulát benyomva tartja a mutatóujjával (14. ábra). Használhatja a Provox TwistLock eszközt is az összehajtó eszköz egyben tartásához. Erősen tolja előre a behelyezőtűskét, ezzel betöltve a hangprotézis oesophagusperemét a kapszulába.

2. A megfelelő betöltés ellenőrzése

A hangprotézis ezzel be van töltve a Provox Capsule kapszulába, és az összehajtó eszköz eltávolítható a behelyezőtüskéről. Ellenőrizze, hogy az oesophagusperem a kapszulában van-e (15. ábra). Ha a hangprotézis nincs megfelelően összehajtván, a betöltési eljárást meg kell ismételni egy új Provox Capsule kapszulával. Ellenőrizze, hogy a hangprotézis szíja rögzítve van a protézisnek a punkcióba való behelyezésére szolgáló behelyezőtüskére.

3. Távolítsa el a régi hangprotézist, és készítse elő a TE-punkciót (lásd: 2.2. rész, 6. és 7. pont).

4. Helyezze be a Provox Capsule eszközt a punkcióba

Tartsa a hangprotézis teljesen behelyezett állapotban, amíg a Provox Capsule fel nem oldódik és az oesophagusperem teljesen szét nem nyílik. Húzza meg kicsit a hangprotézis szíját annak ellenőrzéséhez, hogy a megfelelő helyen van.

5. Oldja ki a hangprotézist

Távolítsa el a bevezetőtüskét a hangprotézisből. A hangprotézis a punkcióban marad.

6. A művelet véglegesítése

A behelyezés után véglegesítse az eljárást az alábbi 2.5. részben ismertetett módon

* Nem minden országban kapható.

2.4. A Provox Insertion System összeszerelése és újratöltése

Ha a Provox Vega hangprotézis TE-nyílásba való behelyezésének első kísérlete sikertelen volt, újra betöltheti a hangprotézist a Provox Insertion System rendszerbe.

A hangprotézis elhelyezése

1. Rögzítse a hangprotézist a trachea felső oldalával lefelé a behelyezőtüske tetejére.
2. A biztonsági szíj csatlakoztatásához vezesse azt át bármelyik oldali szíjvezető nyíláson.
3. Győződjön meg arról, hogy a hangprotézis megfelelően helyezkedik el a behelyezőtüskén, stabilan rögzül, és a tüske vége teljesen be van vezetve a hangprotézis kék gyűrűjébe (3. ábra).

Az összehajtó eszköz csatlakoztatása

4. Vezesse a behelyezőtüskét az összehajtó eszköz nyílásán keresztül, amíg a helyére nem kattan. Húzza át a behelyezőtüskét, amíg az be nem pattan az összehajtó eszközbe (16. ábra). A Provox Insertion System rendszer így készen áll az előkészítésre. Folytassa az előkészítést a fenti 2.2. részben ismertetett módon.

FIGYELEM: Ne végezzen több mint kettő újratöltést. Ha a Provox Vega hangprotézis a sérülés bármilyen jelét mutatja, ne használja a hangprotézist.

2.5. A művelet véglegesítése

Behelyezés utáni teendők:

A megfelelő illeszkedés ellenőrzése

1. Győződjön meg a hangprotézis megfelelő elhelyezkedéséről úgy, hogy forgatja és óvatosan meghúzza a behelyezőtüskét (17. ábra). A protézis ideális helyzetben van, ha a biztonsági szíj lefelé mutat.

A megfelelő működés tesztelése

2. Kefélje a Provox Vega protézist a Provox Brush kefével. Tesztelje a protézis megfelelő működését; ehhez kérje meg a beteget, hogy beszéljen, és figyelje meg, hogy a protézis nem szivárog-e, miközben a beteg vizet iszik (18. ábra).

A biztonsági szíj levágása

3. Miután meggyőződött arról, hogy a protézis megfelelően van behelyezve, vágja le a biztonsági szíjat a tracheaperem szintjében (19. ábra). A Provox Vega hangprotézis így készen áll a használatra.

2.6. Hulladékba helyezés

Használt orvosi eszközök hulladékba helyezésénél mindig kövesse a biológiailag veszélyes hulladékok kezelésére vonatkozó orvosi gyakorlatot és nemzeti követelményeket.

3. A betegekre vonatkozó fontos információk

3.1. Általános információk

Ügyeljen arra, hogy a beteg megértse: a következő esetekben orvoshoz kell fordulnia:

- Szivárgás észlelhető a protézisen keresztül vagy körülötte (köhögés; és/vagy a nyálka színének megváltozása).
- Nehézzé válik a beszéd (nagyobb erőfeszítés és/vagy a hang erőltettebbnek tűnik).
- A punkció vagy a sztóma területén gyulladás vagy a szövet elváltozásának bármely jele tapasztalható (fájdalom, hő, duzzanat, vérnyomok a kefen annak használatát után).

Tájékoztassa a beteget a következőkről is:

- Protéziscsere után vérnyomok lehetnek a köpetben. Ez a TE-punkció szélén lévő granulációs szövetből eredhet.
- A Provox Vega Plug dugó segítségével a hangprotézisen keresztüli szivárgás átmenetileg leállítható.
- Beszédtanulási ülések javasoltak szakképzett orvossal az optimális beszédhang, a folyékony beszéd és az optimális érthetőség létrehozása érdekében.

3.2. A protézis karbantartása

Lássa el instrukcióival a beteget arra vonatkozóan, hogy mikor és hogyan tisztítsa a Provox Vega hangprotézist. A protézis napi legalább kétszeri tisztítása elősegítheti az eszköz élettartamának meghosszabbítását.

FIGYELEM: A protézis tisztításakor csak eredeti Provox tartozékokat használjon, amelyeket a Provox Vega protézissel való használatra terveztek.

- A protézis napi kétszeri kikéféltése a Provox Brush kefével elősegíti a nyálka és az ételmaradékok eltávolítását a protézisből.
- A protézis átöblítése a Provox Flush öblítővel szintén elősegítheti a törmelék és nyálka kitisztítását a protézisből, ami növeli az eszköz élettartamát.
Megjegyzés: A Provox Flush öblítő kizárólag olyan betegek által történő alkalmazásra szolgál, akik az eszközt felíró orvos megítélése szerint képesek arra, hogy megértsék és következetesen kövessék a használati útmutatót az orvos felügyelete nélkül.
- Egyes étkezési intézkedések, például joghurt vagy lactobacillusokat tartalmazó tejtermék napi fogyasztása segítséget jelent a túlzott Candida-növekedéssel szemben.

A Provox Vega tisztítására vonatkozó részletes információkat lásd az egyes tartozékok útmutatójában.

4. További információ

4.1. Kompatibilitás MR-képpalkotással, röntgennel és sugárterápiával

A Provox hangprotéziseket (a Provox ActiValve kivételével) megvizsgálták, és kompatibilisnek találták a mágneses rezonanciás képalkotással (1,5 tesla térerősséggel), valamint röntgennel és sugárkezeléssel (70 Gy-ig). A protézis a TE-punkcióban hagyható a vizsgálat/terápiás munkamenet során. Felhívjuk figyelmét arra, hogy a sugárfogó szelepfészkek röntgenfelvételen látható.

4.2. Az eszköz élettartama

Az egyéni biológiai körülményektől függően az eszköz élettartama változó, és nem jósolható meg annak épsége hosszabb időn keresztül. Az eszköz anyagát károsítják például a baktériumok és az élesztőgombák, ami miatt az eszköz szerkezeti épsége romlani fog.

Szimulált használat laboratóriumi vizsgálata 12 hónapos tesztidőszakig azt mutatta, hogy baktériumok és élesztőgombák jelenléte nélkül az eszköz megőrzi szerkezeti épségét ennyi ideig. Az eszközt nem tesztelték 12 hónapnál hosszabb használatra. Az ezen időtartamon túli használat az eszköz felírójának kizárólagos belátásán múlik.

4.3. Kompatibilitás gombaellenes gyógyszerekkel

Laboratóriumi vizsgálatok a következő gombaellenes gyógyszerek alkalmazásakor a Provox Vega hangprotézis és alkatrészei működését érintő csupán kismértékű negatív hatást mutattak: nisztatin, flukonazol, mikonazol.

5. Jelentési kötelezettség

Felhívjuk figyelmét, hogy az eszközt érintő bármilyen súlyos balesetet jelenteni kell a gyártónak és a felhasználó/beteg lakóhelye szerint illetékes ország hatóságának.

POLSKI

Provox Vega

1. Informacje opisowe

1.1 Przeznaczenie

Proteza głosowa Provox Vega jest jałową, wszczepialną protezą głosową jednorazowego użytku, przeznaczoną do rehabilitacji głosu po chirurgicznym usunięciu krtani (całkowitej laryngektomii). Czyszczenie protezy głosowej znajdującej się w przetoce tchawiczo-przełykowej przeprowadza pacjent.

Podajnik Provox Insertion System jest jałowym wyrobem jednorazowego użytku, przeznaczonym do wymiany protezy głosowej Provox Vega z dostępu przez tracheostomę. Zabieg wymiany przeprowadza lekarz lub przeszkolony pracownik służby zdrowia według obowiązujących wytycznych lokalnych lub krajowych.

Podajnik Provox Insertion System nie jest przeznaczony do zakładania protezy głosowej w świeżo wytworzonej przetoce.

1.2 Opis urządzenia

Informacje ogólne

Provox Vega jest jednokierunkową zastawką (protezą głosową) umieszczaną w przetoce tchawiczo-przełykowej, umożliwiającą wytwarzanie głosu przez kierowanie powietrza do przełyku i jednocześnie zmniejszającą ryzyko dostania się jedzenia i napojów do tchawicy. Proteza głosowa Provox Vega nie jest stałym implantem i wymaga okresowej wymiany. Proteza (rys. 1) jest dostępna w różnych średnicach i kilku długościach. Wyrób jest wykonany z silikonu i polimeru fluorowego klasy medycznej.

Opakowanie Provox Vega

Opakowanie Provox Vega zawiera następujące elementy:

- 1 protezę głosową Provox Vega, fabrycznie umieszczoną w podajniku Insertion System, jednorazowego użytku, jałową (rys. 2)
- 1 szczoteczkę Provox Brush w rozmiarze odpowiednim dla danej protezy głosowej, niejadalą
- 1 instrukcję dla lekarzy Provox Vega
- 1 podręcznik dla pacjenta Provox Vega
- 1 instrukcję użytkownika szczoteczki Provox Brush

1.3 PRZECIWWSKAZANIA

Nieznane są przeciwwskazania do użycia lub wymiany protezy głosowej Provox Vega u pacjentów już używających protezy do rehabilitacji głosu.

1.4 OSTRZEŻENIA

- **Może dojść do przemieszczenia lub wypchnięcia protezy głosowej Provox Vega** z przetoki tchawiczo-przelykowej, prowadzącego do połknięcia, aspiracji lub uszkodzenia tkanek. Ciało obce w drogach oddechowych może spowodować poważne powikłania, takie jak ostra niewydolność oddechowa i/lub zatrzymanie oddychania.
- **Należy dobrać odpowiedni rozmiar protezy.** Ciasne dopasowanie może spowodować martwicę tkanek i wypchnięcie protezy.
- **Należy poinstruować pacjenta, żeby się natychmiast udał się do lekarza,** jeśli pojawiają się jakiegokolwiek oznaki obrzęku tkanek i/lub stanu zapalnego/zakażenia.
- **Należy poinstruować pacjenta, żeby natychmiast udał się do lekarza,** jeśli wystąpi przeciek przez protezę głosową lub wokół niej. Przeciek może doprowadzić do zachyłstowego zapalenia płuc.
- **W przypadku stosowania rurek tracheostomijnych lub krótkich rurek tracheostomijnych** należy wybrać ich odpowiedni kształt, który nie będzie powodować ucisku na protezę ani zaczepiać o kołnierz tchawiczy protezy podczas wkładania i wyjmowania rurki tracheostomijnej lub krótkiej rurki tracheostomijnej. Może to doprowadzić do ciężkiego uszkodzenia tkanek i/lub przypadkowego połknięcia protezy.
- **Należy poinstruować pacjenta, aby używał tylko oryginalnych akcesoriów Provox** (szczoteczki, gruszki, zatyczki) w odpowiednim rozmiarze oraz unikał wszelkich innych rodzajów manipulacji.
- **Ponowne użycie i przygotowanie do ponownego użycia** może spowodować przeniesienie zanieczyszczeń i uszkodzenie urządzenia, co może doprowadzić do urazu u pacjenta.

1.5 ŚRODKI OSTROŻNOŚCI

- Przed włożeniem lub wymianą protezy należy dokonać starannej oceny pacjentów ze skazą krwotoczną lub leczonych antykoagulantami pod kątem ryzyka krwawienia bądź krwotoku.
- Obejrzeć opakowanie przed użyciem. Nie używać produktu, jeśli opakowanie jest uszkodzone lub otwarte.
- Aby ograniczyć ryzyko zakażenia, należy zawsze przestrzegać zasad jałowości przy kontakcie z protezą.

2. Instrukcja użycia

2.1 Dobór rozmiaru protezy głosowej

Dobór odpowiedniej średnicy korpusu i długości protezy przeznaczonej do wymiany Należy użyć protezy głosowej Provox Vega o właściwej średnicy i długości korpusu. Proteza Provox Vega jest dostępna w różnych średnicach korpusu i w kilku długościach.

- **Dobór średnicy korpusu**
Lekarz powinien ustalić właściwą średnicę protezy odpowiednią dla danego pacjenta. Jeśli wybrana średnica jest większa niż średnica poprzedniej protezy, należy rozszerzyć przetokę za pomocą rozszerzacza Provox Dilator o średnicy odpowiedniej do wkładanej protezy.
Jeśli zakładana jest proteza o mniejszej średnicy korpusu, należy dopilnować, aby przetoka uległa obkurczeniu do właściwej średnicy.
- **Dobór długości korpusu**
W celu dobrania odpowiedniej długości można użyć obecnie założonej protezy jako narzędzia pomiaru.
Jeśli odstęp pomiędzy kołnierzem tchawiczym obecnej protezy a ścianą śluzówki jest zbyt duży (np. 3 mm/~0,12 cala lub więcej), należy użyć krótszej protezy. Jeśli proteza jest osadzona zbyt ciasno, należy użyć dłuższej protezy.

2.2 Przygotowanie

(Rys. 3–6)

Umieszczenie protezy głosowej

1. Upewnić się, że proteza głosowa jest właściwie umieszczona i dobrze zamocowana na popychaczu, a końcówka popychacza znajduje się na wysokości niebieskiego pierścienia protezy głosowej (rys. 3).

Zwinięcie kołnierza przelykowego

2. Sprawdzić, czy popychacz jest właściwie umieszczony w uchwycie zwijającym kołnierz protezy w koszulce (popychacz powinien być zatrzaśnięty w uchwycie).
3. Ścisnąć dwoma palcami uchwyt zwijający kołnierz protezy w koszulce (rys. 4).
4. Przymocować koszulkę, trzymając zamknięty uchwyt zwijający kołnierz protezy i obracając koszulkę, aż zostanie zablokowana w odpowiednim położeniu (rys. 5). (Nie dotyczy wkładania z zastosowaniem kapsułki).

Zaladowanie protezy

5. Przesuwać popychacz, aż proteza głosowa znajdzie się na wysokości wyraźnego znacznika na koszulce (rys. 6). (Nie dotyczy wkładania z zastosowaniem kapsułki).

Wyjęcie poprzedniej protezy głosowej

6. Wyjąć obecną (poprzednią) protezę z przetoki tchawiczoprzełykowej, wyciągając ją gładkimi (nieząbkowanymi) kleszczykami hemostatycznymi. Lekarz może również podjąć decyzję o chwyceniu kołnierza tchawiczego protezy kleszczykami i odcięciu go. Reszta protezy zostanie wtedy wepchnięta do przełyku, po czym przejdzie przez układ pokarmowy. Przed zastosowaniem tej metody należy wziąć pod uwagę wszystkie schorzenia układu pokarmowego, na które pacjent cierpił w przeszłości.

Przygotowanie przetoki (opcjonalne)

7. Można rozszerzyć przetokę, aby ją przygotować do założenia protezy głosowej. Zwykle nie jest to konieczne, lecz może ułatwić założenie protezy u pacjentów z ciasnymi przetokami lub umieszczonymi pod kątem, przez co przetoka może się zapaść.

2.3 Procedura włożenia i wymiany protezy przez tracheostomę

Dostępne są cztery metody wkładania protezy głosowej Provox Vega przy użyciu podajnika Provox Insertion System. O wyborze metody decyduje lekarz.

- 2.3.1 Włożenie z zastosowaniem podajnika: używany jest cały zestaw podajnika.
- 2.3.2 Włożenie z zastosowaniem koszulki: przed włożeniem usuwany jest uchwyt zwijający kołnierze protezy w koszulce.
- 2.3.3 Włożenie z przepchnięciem przez przetokę: cała proteza głosowa jest rozkładana w przełyku, a następnie wycofywana do żądanej pozycji.
- 2.3.4 Włożenie z zastosowaniem kapsułki: przed włożeniem proteza głosowa jest umieszczana w kapsułce Provox Capsule.

2.3.1 Metoda 1: Włożenie z zastosowaniem podajnika

1. **Wprowadzenie do przetoki tchawiczoprzełykowej**
Uchwycić podajnik Provox Insertion System za koszulkę. Wprowadzić końcówkę koszulki do przetoki. Zachować ostrożność w przypadku napotkania oporu. Jeżeli jest wyczuwany opór, wprowadzenie koszulki może ułatwić rozszerzenie przetoki i/lub użycie środka poślizgowego.
2. **Włożenie protezy głosowej**
Trzymając nieruchomo koszulkę jedną ręką, drugą ręką przesunąć popychacz, aż strzałki w dystalnym obszarze chwytym zostaną wyrównane z dolną krawędzią uchwytu zwijającego kołnierze protezy w koszulce (rys. 7). W tym momencie kołnierz przełykowy protezy głosowej jest całkowicie rozłożony w przełyku.
3. **Odłączenie protezy głosowej**
Wyciągnąć razem koszulkę i uchwyt zwijający kołnierze protezy z przetoki pod kątem prostym. Proteza głosowa pozostaje w przetoce, nadal mocno przytwierdzona do popychacza.
4. **Zakończenie procedury**
Po włożeniu protezy zakończyć procedurę zgodnie z poniższym opisem w punkcie 2.5.

2.3.2 Metoda 2: Włożenie z zastosowaniem koszulki

Aby poprawić widoczność, po wepchnięciu protezy do koszulki można usunąć uchwyt zwijający kołnierze protezy.

Uwaga: Aby zapewnić prawidłowe zwinięcie kołnierza przełykowego, podczas ładowania protezy należy zawsze używać podajnika Provox Insertion System z przymocowanym uchwytem zwijającym kołnierze protezy.

1. **Usunięcie uchwytu zwijającego kołnierze protezy**
Usunąć uchwyt zwijający kołnierze protezy, odblokowując go i odłączając od koszulki (rys. 8).
2. **Wprowadzenie do przetoki tchawiczoprzełykowej**
Uchwycić podajnik Provox Insertion System za koszulkę. Wprowadzić końcówkę koszulki do przetoki. Zachować ostrożność w przypadku napotkania oporu. Jeżeli jest wyczuwany opór, wprowadzenie koszulki może ułatwić rozszerzenie przetoki i/lub użycie środka poślizgowego.
3. **Włożenie protezy głosowej**
Przesunąć popychacz drugą ręką, aż strzałki w proksymalnym obszarze chwytym zostaną wyrównane z koszulką (rys. 9). W tym momencie kołnierz przełykowy protezy głosowej jest całkowicie rozłożony w przełyku.
4. **Odłączenie protezy głosowej**
Uchwycić jedną ręką koszulkę, a drugą — popychacz. Wyciągać razem koszulkę i popychacz do momentu wycucia, że kołnierz przełykowy dotknie przedniej ściany przełyku. Następnie pozostawić popychacz i wyciągnąć koszulkę z przetoki pod kątem prostym. Spowoduje to rozłożenie kołnierza tchawiczego.
Uwaga: Jeśli kołnierz tchawiczny zostanie rozłożony wewnątrz przełyku lub przetoki (niezamierzone przepchnięcie przez przetokę), należy chwycić kołnierz tchawiczny gładkimi (nieząbkowanymi) kleszczykami hemostatycznymi i pociągnąć/obrócić protezę głosową w celu umieszczenia jej we właściwym położeniu.
5. **Zakończenie procedury**
Po włożeniu protezy zakończyć procedurę zgodnie z poniższym opisem w punkcie 2.5.

2.3.3 Metoda 3: Włożenie z przepchnięciem przez przetokę

W celu zapewnienia pełnego rozłożenia kołnierza przełykowego w przypadku skomplikowanych przetok tchawiczoprzełykowych niekiedy wykonywane jest przepchnięcie protezy głosowej Provox Vega przez przetokę.

- 1. Usunięcie uchwytu zwijającego kołnierze protezy w koszulce (opcjonalne)**
Po umieszczeniu protezy w koszulce usunąć uchwyt zwijający kołnierze protezy w koszulce, odblokowując go i odłączając od koszulki (rys. 8).
- 2. Wprowadzenie do przetoki tchawiczoprzełykowej**
Uchwycić podajnik Provox Insertion System za koszulkę. Wprowadzić końcówkę koszulki do przetoki. Zachować ostrożność w przypadku napotkania oporu. Jeżeli jest wyczuwany opór, wprowadzenie koszulki może ułatwić rozszerzenie przetoki i/lub użycie środka poślizgowego.
- 3. Włożenie protezy głosowej**
Trzymając nieruchomo koszulkę jedną ręką, drugą ręką przesunąć popychacz poza proksymalny obszar chwytny (rys. 10). W tym momencie proteza głosowa jest całkowicie rozłożona w przełyku (rys. 11).
Jeżeli proteza jest wkładana z przepchnięciem przez przetokę z przymocowanym uchwytem zwijającym kołnierze protezy w koszulce, należy przesunąć popychacz poza dystalny obszar chwytny. W tym momencie proteza głosowa jest całkowicie rozłożona w przełyku (rys. 12).
- 4. Odłączenie protezy głosowej**
Wyciągnąć koszulkę z przetoki pod kątem prostym. Proteza pozostaje w przełyku, nadal mocno przytwierdzona do popychacza. Chwycić kołnierze tchawiczy gładkimi (nieząbkowanymi) kleszczykami i pociągnąć/obrócić protezę głosową, umieszczając ją we właściwym położeniu.
- 5. Zakończenie procedury**
Po włożeniu protezy zakończyć procedurę zgodnie z poniższym opisem w punkcie 2.5.

2.3.4 Metoda 4: Wprowadzanie kapsułki

Przeznaczenie

Kapsułka Provox Capsule stanowi akcesorium do jednorazowego użytku przez lekarza przeznaczone do wprowadzenia standardowej protezy głosowej przez stomę do przetoki tchawiczoprzełykowej u pacjenta po laryngektomii.

Opis produktu

Kapsułki Provox Capsule są wykonane z rozpuszczalnego w wodzie materiału pochodzenia roślinnego i dostępne w różnych rozmiarach, które można dopasować do trzech różnych średnic protez głosowych — 17 F, 20 F oraz 22,5 F.

OSTRZEŻENIA

- Przed rozpoczęciem zabiegu wprowadzania zawsze należy upewnić się, że proteza głosowa jest poprawnie zwinięta i prawidłowo wprowadzona do kapsułki Provox Capsule. Jeśli kapsułka Provox Capsule rozwinie się przedwcześnie, może zostać zassana do dolnych dróg oddechowych. Należy zwrócić uwagę na to, że środki poślizgowe mogą utrudnić zamocowanie kapsułki Capsule.
- Nie używać kapsułki Provox Capsule, jeśli istnieje podejrzenie, że doszło do jej zanieczyszczenia.
- Nie używać kapsułek Provox Capsule, jeśli opakowanie lub kapsułki wyglądają na uszkodzone.
- Po wprowadzeniu do przetoki tchawiczoprzełykowej należy się upewnić, że proteza głosowa prawidłowo spełnia swoją funkcję. Po wprowadzeniu zawsze należy przestrzegać środków ostrożności podanych w instrukcja użycia, które dotyczą korzystania z protezy głosowej.

ŚRODKI OSTROŻNOŚCI

- W celu wprowadzenia kołnierza przełykowego do kapsułki Provox Capsule nie należy używać żadnych ostrych narzędzi, ponieważ może to spowodować uszkodzenie protezy głosowej.
- Należy używać tylko kapsułki Provox Capsule w takim samym rozmiarze, jak średnica protezy głosowej, albo o jeden rozmiar większej.

Uchwyt zwijający kołnierze protezy podajnika Provox Insertion System może zostać wykorzystany do zwinięcia kołnierza przełykowego standardowej protezy głosowej Provox Vega do kapsułki Provox Capsule*. W tej procedurze koszulka nie jest używana.

1. Umieszczenie protezy w kapsułce Provox Capsule

Wyrzucić długą część kapsułki Provox Capsule i podczas zabiegu wprowadzenia użyć tylko krótkiej części. Ścisnąć dwoma palcami uchwyt zwijający kołnierze protezy i umieścić kapsułkę w otworze uchwytu (rys. 13). Utrzymując zamknięty uchwyt zwijający kołnierze protezy, palcem wskazującym trzymać kapsułkę skierowaną w dół (rys. 14). Do utrzymania zamkniętego uchwytu zwijającego kołnierze protezy można również użyć blokady Provox TwistLock. Nacisnąć mocno popychacz. Spowoduje to załadowanie kołnierza przełykowego protezy głosowej do kapsułki.

2. Sprawdzenie właściwego załadowania

Proteza głosowa jest teraz załadowana do kapsułki Provox Capsule, a uchwyt zwijający kołnierze protezy można usunąć z popychacza. Sprawdzić, czy kołnierze przełykowe znajduje się wewnątrz kapsułki (rys. 15). Jeżeli proteza głosowa nie jest właściwie zwinięta, należy powtórzyć proces załadowania, używając nowej kapsułki Provox Capsule. Upewnić się, że pasek protezy głosowej jest zamocowany do bolca podajnika przeznaczonego do wprowadzenia protezy do punkcji.

- 3. Wyjąć starą protezę głosową i przygotować przetokę tchawiczoprzełykową (patrz część 2.2, punkty 6 i 7).**

4. Wprowadzanie kapsułki Provox Capsule do przetoki

Trzymać protezę głosową w pozycji w pełni wprowadzonej do momentu rozpuszczenia kapsułki Provox Capsule i pełnego rozłożenia kołnierza przelykowego. Lekko pociągnąć pasek protezy głosowej, aby upewnić się, że jej położenie jest prawidłowe.

5. Zwolnienie protezy głosowej

Wyjąć bolec podajnika z protezy głosowej. Proteza głosowa pozostaje w przetoce.

6. Zakończenie procedury

Po włożeniu protezy zakończyć procedurę zgodnie z poniższym opisem w punkcie 2.5.

* Nie są dostępne we wszystkich krajach.

2.4 Montaż i ponowne załadowanie podajnika Provox Insertion System

Jeśli nie powiodła się pierwsza próba wprowadzenia protezy Provox Vega do przetoki tchawiczo-przelykowej, można ponownie załadować protezę głosową do podajnika Provox Insertion System.

Umieszczenie protezy głosowej

1. Umieścić protezę głosową na górze popychacza kołnierzem tchawiczym do dołu.
2. Przymocować pasek zabezpieczający, przeprowadzając go przez otwór mocujący z dowolnej strony.
3. Upewnić się, że proteza głosowa jest właściwie umieszczona i dobrze zamocowana na popychaczu, a końcówka popychacza znajduje się na wysokości niebieskiego pierścienia protezy głosowej (rys. 3).

Zamocowanie uchwyty zwijającego kołnierze protezy w koszulce

4. Wprowadzić popychacz przez otwór uchwyty zwijającego kołnierze protezy, aż zaskoczy z kliknięciem w odpowiednim położeniu. Pociągać popychacz, dopóki nie zatrzaśnie się w uchwycie zwijającym kołnierze protezy (rys. 16). Podajnik Provox Insertion System jest teraz gotowy do etapu przygotowania. Kontynuować etap przygotowania zgodnie z powyższym opisem w punkcie 2.2.

UWAGA: Nie wolno ponownie załadowywać protezy do podajnika więcej niż dwa razy. Jeśli proteza głosowa Provox Vega wykazuje jakiegokolwiek oznaki uszkodzenia, nie wolno jej używać.

2.5 Zakończenie procedury

Po włożeniu protezy:

Sprawdzenie właściwego dopasowania

1. Sprawdzić, czy proteza znajduje się we właściwym położeniu, obracając i delikatnie pociągając popychacz (rys. 17). Proteza znajduje się w idealnym położeniu, gdy pasek zabezpieczający jest skierowany w dół.

Sprawdzenie właściwego działania

2. Wyczyścić protezę Provox Vega szczoteczką Provox Brush. Sprawdzić właściwe działanie protezy, prosząc pacjenta o wydanie głosu i obserwując protezę, gdy pacjent pije wodę (rys. 18).

Odcięcie paska zabezpieczającego

3. Po upewnieniu się, że proteza została prawidłowo umieszczona, odciąć pasek zabezpieczający równo z kołnierzem tchawiczym (rys. 19). Proteza głosowa Provox Vega jest teraz gotowa do użytku.

2.6 Usuwanie

Przy usuwaniu używanego wyrobu medycznego należy zawsze postępować zgodnie z praktyką medyczną oraz krajowymi wymogami dotyczącymi zagrożeń biologicznych.

3. Ważne informacje dla pacjenta

3.1 Informacje ogólne

Należy upewnić się, że pacjent rozumie konieczność skontaktowania się z lekarzem w przypadku gdy:

- występuje przebieg przez protezę lub wokół protezy (kaszel i/lub zmiana koloru śluzu);
- mówienie staje się trudniejsze (konieczny większy wysiłek i/lub głos bardziej wyężony);
- występują jakiegokolwiek objawy stanu zapalnego lub zmiany tkanki w miejscu przetoki lub stomy (ból, zaczerwienienie, uczucie gorąca, obrzęk, ślady krwi na szczoteczce po czyszczeniu protezy).

Należy także poinformować pacjenta, że:

- Po wymianie protezy mogą pojawić się ślady krwi w płwocinie. Mogą one pochodzić z tkanki ziarninowej na obrzeżu przetoki tchawiczo-przelykowej.
- Do tymczasowego zatkania przebiegu przez protezę można użyć zatyczki Provox Vega Plug.
- W celu uzyskania optymalnego brzmienia głosu, płynnej mowy i optymalnej zrozumiałości niezbędna jest rehabilitacja logopedyczna.

3.2 Konserwacja protezy

Należy poinstruować pacjenta, jak i kiedy należy czyścić protezę głosową Provox Vega. Czyszczenie protezy co najmniej dwa razy dziennie może przedłużyć jej żywotność.

UWAGA: Do czyszczenia protezy należy stosować wyłącznie oryginalne akcesoria Provox, przeznaczone do stosowania z protezą głosową Provox Vega.

- Czyszczenie protezy dwa razy dziennie za pomocą szczoteczki Provox Brush pomoże usunąć z protezy śluz i resztki jedzenia.
- Przepłukiwanie protezy za pomocą gruszki Provox Flush także pomaga usunąć resztki i śluz z protezy, co przyczynia się do przedłużenia żywotności protezy.
Uwaga: Gruszka Provox Flush jest przeznaczona do użytku wyłącznie przez pacjentów, którzy według oceny lekarza są w stanie stosować się samodzielnie do instrukcji.
- Uważa się, że pewne zasady żywienia, takie jak codzienna porcja jogurtu lub maślanki zawierających bakterie mlekowe, zapobiegają nadmiernemu namnażaniu się grzybów z rodzaju Candida.

Szczegółowe informacje dotyczące sposobu czyszczenia produktu Provox Vega można znaleźć w instrukcjach poszczególnych akcesoriów.

4. Informacje dodatkowe

4.1 Zgodność z badaniami obrazowymi metodą RM i RTG oraz radioterapią

Protezy głosowe Provox Vega zostały przetestowane pod kątem możliwości wykonywania u pacjentów z protezami badań rezonansem magnetycznym (o indukcji do 3 T), promieniowaniem rentgenowskim oraz radioterapii (zbadano dawki do 70 Gy). Protezę można pozostawić w przetoce tchawiczo-przełykowej podczas badania lub naświetlania. Należy zauważyć, że nieprzepuszczający promieniowania rtg pierścien utrzymujący zastawkę jest widoczny w obrazie rentgenowskim.

4.2 Okres eksploatacji

Żywotność urządzenia różni się w zależności od indywidualnych warunków biologicznych i nie da się przewidzieć, jak długo urządzenie będzie prawidłowo działało. Na materiał, z którego wykonano urządzenie, będą oddziaływać przykładowo bakterie i grzyby, co ostatecznie spowoduje pogorszenie jego właściwości.

Badania laboratoryjne symulujące użycie urządzenia przez okres 12 miesięcy wykazują, że przy braku obecności bakterii i drożdżaków urządzenie zachowa w tym czasie swoją funkcjonalność. Żywotność urządzenia ponad 12 miesięcy nie była testowana laboratoryjnie. Decyzja o korzystaniu z protezy przez czas dłuższy niż ten limit zależy wyłącznie od lekarza.

4.3 Zgodność z lekami przeciwgrzybiczymi

W badaniach laboratoryjnych wykazano jedynie niewielki negatywny wpływ na działanie protez głosowych Provox Vega i jej elementów w przypadku następujących leków przeciwgrzybiczych: nystatyna, flukonazol, mikonazol.

5. Zgłaszanie

Należy pamiętać, że każde poważne zdarzenie, do którego doszło w związku z urządzeniem, należy zgłosić producentowi i władzom w kraju zamieszkania użytkownika i/lub pacjenta.

HRVATSKI

Provox Vega

1. Opisne informacije

1.1 Namjena

Provox Vega sterilna je jednokratna ugrađena govorna proteza namijenjena za glasovnu rehabilitaciju nakon kirurškog odstranjenja grkljana (laringektomije). Čišćenje govorne proteze obavlja pacijent dok ona ostaje na mjestu.

Provox Insertion System sterilni je jednokratni proizvod namijenjen za anterogradnu zamjenu govorne proteze Provox Vega. Postupak zamjene treba provesti liječnik ili obučeni zdravstveni djelatnik uz pridržavanje lokalnih i nacionalnih smjernica.

Provox Insertion System nije namijenjen za umetanje govorne proteze u novo napravljenu punkciju.

1.2 Opis proizvoda

Općenito

Govorna proteza Provox Vega jednosmjerni je ventil (proteza) koji drži TE-punkciju otvorenu za govor, dok istovremeno smanjuje opasnost od ulaska tekućina i hrane u traheju. Govorna proteza Provox Vega nije trajni implantat i potrebno ju je periodički mijenjati. Proteza (sl. 1) je dostupna u različitim promjerima i nekoliko dužina. Proizvod je napravljen od silikonske gume medicinskog standarda i fluoroplastike.

Pakiranje proteze Provox Vega

Pakiranje proteze Provox Vega sadrži sljedeće:

- 1 prethodno sastavljenu govornu protezu Provox Vega unutar jednokratnog uređaja Insertion System, sterilnu (sl. 2)
- 1 četkicu Provox Brush veličine koja odgovara govornoj protezi, nesterilnu
- 1 Priručnik za kliničkog djelatnika za protezu Provox Vega
- 1 Priručnik za pacijenta za protezu Provox Vega
- 1 Upute za upotrebu četkice Provox Brush

1.3 KONTRAINDIKACIJE

Ne postoje poznate kontraindikacije za upotrebu ili zamjenu govorne proteze Provox Vega u pacijenata koji se već koriste protetičkom rehabilitacijom govora.

1.4 UPOZORENJA

- **Može doći do pomicanja ili ekstruzije govorne proteze Provox Vega** iz TE-punkcije te narednog gutanja, aspiracije ili oštećenja tkiva. Strano tijelo u dišnim putevima može uzrokovati ozbiljne komplikacije kao što je akutni respiratorni distress i/ili respiratorni arrest.
- **Odaberite ispravnu veličinu proteze.** Tijesno postavljanje može uzrokovati nekrozu i ekstruziju tkiva.
- **Posavjetujte pacijenta da u slučaju tkivnog edema i/ili upale/infekcije odmah zatraži liječničku pomoć.**
- **Savjetujte pacijenta da se obrati liječniku** ako dođe do propuštanja kroz govornu protezu ili oko nje. Propuštanje može uzrokovati aspiracijsku upalu pluća.
- **Ako upotrebljavate laringealnu kanilu ili stomalnu tipku,** odaberite one odgovarajućeg oblika koji ne pritišću protezu niti se zahvaćaju za trahealnu prirubnicu tijekom umetanja i uklanjanja laringealne kanile ili stomalne tipke. To može prouzročiti ozbiljno oštećenje tkiva i/ili slučajno gutanje proteze.
- **Uputite pacijenta da se koristi isključivo originalnim dodacima Provox** odgovarajuće veličine (Brush (četkica), Flush (ispiranje), Plug (čep)) za održavanje i da izbjegava sve ostale vrste rukovanja.
- **Ponovna uporaba i ponovna obrada** mogu uzrokovati unakrsnu kontaminaciju i oštetiti proizvod te ugroziti zdravlje pacijenta.

1.5 MJERE OPREZA

- Prije postavljanja ili zamjene proteze pažljivo procijenite sve pacijente koji imaju poremećaj krvarenja ili primaju antikoagulantnu terapiju zbog rizika od krvarenja ili hemoragije.
- Provjerite pakiranje prije uporabe. Ako je pakiranje oštećeno ili otvoreno, nemojte upotrebljavati proizvod.
- Uvijek primjenjujte sterilnu tehniku prilikom rukovanja protezom kako biste smanjili rizik od nastanka infekcije.

2. Upute za upotrebu

2.1 Odabir veličine govorne proteze

Odabir odgovarajućeg promjera osovine i dužine zamjenske proteze

Rabite govornu protezu Provox Vega s odgovarajućim promjerom i duljinom osovine. Provox Vega dostupna je u različitim promjerima osovine i nekoliko dužina.

- **Odabir promjera osovine**
Klinički djelatnik mora odrediti odgovarajući promjer proteze koji je prikladan za pacijenta.
Ako je odabrani promjer veći od promjera prethodne proteze, trakt se mora proširiti dilatorom Provox Dilator sukladno promjeru proteze koja se umeće.
Ako umećete protezu s manjim promjerom osovine, pratite je i provjerite je li se veličina punkcije smanjila na odgovarajući promjer.
- **Odabir dužine osovine**
Za odabir ispravne dužine možete upotrijebiti trenutnu protezu kao mjerni uređaj.
Ako ima previše (tj. 3 mm / ~0,12 inča ili više) prostora između trahealne prirubnice stare proteze i stijenke sluznice, treba se upotrijebiti kraća proteza. Ako proteza sjeda pretijesno, treba se upotrijebiti duža proteza.

2.2 Priprema

(Sl. 3 – 6)

Namještanje govorne proteze

1. Provjerite je li govorna proteza ispravno postavljena na iglu uvodača i čvrsto pričvršćena, a vrh igle uveden sve do plavog prstena govorne proteze (sl. 3).

Savijanje ezofagealne prirubnice

2. Provjerite je li igla uvodača ispravno namještena uz pomoć pomagala za savijanje (igla će se uvući u pomagalo za savijanje).
3. Pritisnite pomagalo za savijanje s pomoću dva prsta (sl. 4).
4. Pričvrstite cijev za postavljanje dok je pomagalo za savijanje zatvoreno i zakrećite cijev za postavljanje sve dok ne sjedne na svoje mjesto (sl. 5).
(N/D za umetanje s pomoću kapsule)

Postavljanje

5. Gurajte iglu uvodača prema naprijed sve dok govorna proteza ne bude poravnata s vidljivim prstenom na cijevi za postavljanje (sl. 6). (N/D za umetanje s pomoću kapsule)

Uklanjanje stare govorne proteze

6. Izvadite trenutačnu (staru) protezu iz TE-punkcije tako da ju izvučete hemostatom bez zubaca. Osim toga, prema nahodjenju kliničkog djelatnika, trahealna prirubnica proteze može se zahvatiti forcepsom i odsjeći. Ostatak proteze zatim se gura u ezofagus kako bi prošao kroz probavni trakt. Prije primjene ove metode treba uzeti u obzir povijest crijevnih bolesti pacijenta.

Priprema punkcije (neobavezno)

7. Punkcija se može raširiti da se pripremi za umetanje govorne proteze. To obično nije potrebno, ali može olakšati umetanje u pacijenata s nagnutom ili uskom punkcijom koja se lako priljubljuje.

2.3 Umetanje, postupak anterogradne zamjene

Za umetanje govorne proteze Provox Vega s pomoću uređaja Provox Insertion System mogu se primijeniti četiri metode. Metoda se odabire prema nahodjenju kliničkog djelatnika.

- 2.3.1 Umetanje s pomoću uređaja za umetanje: upotrebljava se cijeli uređaj za umetanje.
- 2.3.2 Umetanje s pomoću cijevi: pomagalo za savijanje uklanja se prije umetanja.
- 2.3.3 Umetanje prebačajem: cijela govorna proteza umeće se u ezofagus, a zatim se povlači u željeni položaj.
- 2.3.4 Umetanje s pomoću kapsule: govorna proteza stavlja se u kapsulu Provox Capsule prije umetanja.

2.3.1 1. metoda: Umetanje s pomoću uređaja za umetanje

1. Ulaženje u TE-punkciju

Primite cijev za postavljanje uređaja Provox Insertion System. Vrhom cijevi za postavljanje krenite ulaziti u punkciju. Oprezno nastavite ako naidete na otpor. Ako naidete na otpor, raširivanjem i/ili podmazivanjem možete olakšati umetanje.

2. Umetanje govorne proteze

Jednom rukom stabilizirajte cijev za postavljanje, a drugom umećite iglu uvođača sve dok se strelice na distalnoj hvatnoj površini ne poravnaju s donjim rubom pomagala za savijanje (sl. 7). U ovom je trenutku ezofagealna prirubnica govorne proteze u potpunosti otvorena u ezofagusu.

3. Otpuštanje govorne proteze

Cijev za postavljanje i pomagalo za savijanje zajedno izvučite iz punkcije. Govorna proteza ostat će u punkciji, još uvijek čvrsto pričvršćena na iglu uvođača.

4. Dovođenje postupka

Nakon umetanja, postupak dovršite na način opisan u nastavku u odjeljku 2.5.

2.3.2 2. metoda: Umetanje s pomoću cijevi

Kako bi se poboljšala vidljivost, pomagalo za savijanje može se ukloniti nakon što se proteza umetne u cijev za postavljanje.

Napomena: važno je da uvijek rabite Provox Insertion System s pričvršćenim pomagalom za savijanje prilikom umetanja proteze kako biste omogućili pravilno savijanje ezofagealne prirubnice.

1. Uklanjanje pomagala za savijanje

Uklonite pomagalo za savijanje otkvačivanjem i odspajanjem s cijevi za postavljanje (sl. 8).

2. Ulaženje u TE-punkciju

Primite cijev za postavljanje uređaja Provox Insertion System. Vrhom cijevi za postavljanje krenite ulaziti u punkciju. Oprezno nastavite ako naidete na otpor. Ako naidete na otpor, raširivanjem i/ili podmazivanjem možete olakšati umetanje.

3. Umetanje govorne proteze

Umećite iglu uvođača drugom rukom sve dok se strelice na proksimalnoj hvatnoj površini ne poravnaju s cijevi za postavljanje (sl. 9). U ovom je trenutku ezofagealna prirubnica govorne proteze u potpunosti otvorena u ezofagusu.

4. Otpuštanje govorne proteze

Jednom rukom pridržavajte cijev za postavljanje, a drugom iglu uvođača. Povlačite i cijev za postavljanje i iglu uvođača prema natrag sve dok ne osjetite da je ezofagealna prirubnica dosegla stražnju ezofagealnu stijenku. Tada pustite iglu uvođača i izvučite cijev za postavljanje iz punkcije. Na taj će se način otpustiti trahealna prirubnica.

Napomena: ako se trahealna prirubnica otvori u ezofagusu ili punkciji (nenamjerni prebačaj), zahvatite trahealnu prirubnicu hemostatom bez zubaca i povucite/zakrenite govornu protezu tako da sjedne na mjesto.

5. Dovođenje postupka

Nakon umetanja, postupak dovršite na način opisan u nastavku u odjeljku 2.5.

2.3.3 3. metoda: Umetanje prebačajem

Povremeno se obavlja umetanje govorne proteze Provox Vega prebačajem kako bi se omogućilo potpuno umetanje ezofagealne prirubnice u komplicirane TE-punkcije.

1. Uklanjanje pomagala za savijanje (neobavezno)

Nakon što se proteza umetne u cijev za postavljanje, uklonite pomagalo za savijanje otkvačivanjem i odspajanjem s cijevi za postavljanje (sl. 8).

2. Ulaženje u TE-punkciju

Primite cijev za postavljanje uređaja Provox Insertion System. Vrhom cijevi za postavljanje krenite ulaziti u punkciju. Oprezno nastavite ako naidete na otpor. Ako naidete na otpor, raširivanjem i/ili podmazivanjem možete olakšati umetanje.

3. Umetanje govorne proteze

Jednom rukom stabilizirajte cijev za postavljanje, a drugom umećite iglu uvođača dok ne prijedete proksimalnu hvatnu površinu (sl. 10). U ovom je trenutku govorna proteza u potpunosti umetnuta u ezofagus (sl. 11).

Ako se umetanje prebačajem izvodi dok je pomagalo za savijanje sastavljeno, umećite iglu uvođača dok ne prijedete distalnu hvatnu površinu. U ovom je trenutku govorna proteza u potpunosti umetnuta u ezofagus (sl. 12).

4. **Otpuštanje govorne proteze**

Izvućite cijev za postavljanje iz punkcije. Proteza će ostati u ezofagusu, još uvijek čvrsto pričvršćena na iglu uvođača. Zahvatite trahealnu prirubnicu hemostatom bez zubaca i povucite/zakrenite govornu protezu tako da sjedne na mjesto.

5. **Dovršavanje postupka**

Nakon umetanja, postupak dovršite na način opisan u nastavku u odjeljku 2.5.

2.3.4 metoda: Umetanje s pomoću kapsule

Namjena

Provox Capsule jednokratna je dodatak koji kliničkim djelatnicima služi za anterogradno uvođenje standardne govorne proteze u traheozofagealnu fistulu pacijenata podvrgnutih laringektomiji.

Opis proizvoda

Kapsule Provox Capsule proizvedene su od materijala biljnog podrijetla topivog u vodi, veličina koje odgovaraju trima različitim promjerima govornih proteza: 17, 20 i 22,5 Fr.

UPOZORENJA

- Prije uvođenja svakako provjerite je li govorna proteza pravilno savijena i je li pravilno umetnuta u kapsulu Provox Capsule. Ako se kapsula Provox Capsule prerano odvoji, može se aspirirati. Imajte na umu da lubrikanti mogu oslabiti pričvršćivanje kapsule.
- Provox Capsule ne upotrebljavajte ako sumnjate na kontaminaciju.
- Provox Capsule ne upotrebljavajte ako pakiranje ili kapsule djeluju oštećeno.
- Pobrinite se da govorna proteza radi nakon uvođenja u TE-fistulu. Nakon uvođenja uvijek slijedite mjere opreza navedene u uputama za upotrebu govorne proteze.

MJERE PREDOSTROŽNOSTI

- Za umetanje ezofagealne prirubnice u Provox Capsule ne upotrebljavajte oštre predmete jer možete oštetiti govornu protezu.
- Upotrijebite isključivo kapsulu Provox Capsule veličine jednake promjeru govorne proteze ili za jednu veličinu veću.

Pomagalo za savijanje uređaja Provox Insertion System može se rabiti za savijanje ezofagealne prirubnice standardne govorne proteze Provox Vega u kapsulu Provox Capsule*. U ovom se postupku ne upotrebljava cijev za postavljanje.

1. **Umetanje proteze u kapsulu Provox Capsule**

Odložite duži dio kapsule Provox Capsule i upotrijebite kraći dio za uvođenje. Pritisnite pomagalo za savijanje s pomoću dva prsta i stavite kapsulu u otvor pomagala za savijanje (sl. 13). Pridržavajte spojeno pomagalo za savijanje dok zadržavate kapsulu kažiprstom (sl. 14). Da biste pridržali spojeno pomagalo za savijanje, možete koristiti i Provox TwistLock. Gurnite iglu uvođača čvrsto prema naprijed; tako ćete umetnuti ezofagealnu prirubnicu govorne proteze u kapsulu.

2. **Provjera pravilnosti umetanja**

Govorna proteza sada je umetnuta u kapsulu Provox Capsule, tako da se pomagalo za savijanje može ukloniti iz igle uvođača. Potvrdite da je ezofagealna prirubnica unutar kapsule (sl. 15). Ako govorna proteza nije ispravno savijena, postupak umetanja treba ponoviti s novom kapsulom Provox Capsule. Pobrinite se da je vrpca govorne proteze učvršćena na iglu uvođača koja je namijenjena za uvođenje proteze u punkciju.

3. **Uklonite staru govornu protezu i pripremite TE punkciju (pogledajte odjeljak 2.2, točke 6 i 7).**

4. **Uvedite Provox Capsule u punkciju**

Zadržite govornu protezu u uvedenom položaju dok se Provox Capsule ne otopi, a ezofagealna prirubnica ne otvori do kraja. Lagano povucite vrpcu govorne proteze da biste osigurali da je u pravilnom položaju.

5. **Otpuštanje govorne proteze**

Iz govorne proteze uklonite iglu uvođača. Govorna proteza ostat će u punkciji.

6. **Dovršavanje postupka**

Nakon umetanja, postupak dovršite na način opisan u nastavku u odjeljku 2.5.

* Nije dostupno u svim državama.

2.4 Sastavljanje i ponovno postavljanje uređaja Provox Insertion System

Ako prvi pokušaj umetanja proteze Provox Vega u TE-punkciju ne uspije, govorna proteza može se ponovno postaviti u uređaj Provox Insertion System.

Namještanje govorne proteze

1. Namjestite govornu protezu tako da trahealna strana bude okrenuta prema dolje na vrhu igle uvođača.
2. Pričvrstite sigurnosnu vrpcu tako da je provedete kroz pričvrсни utor s obje strane.
3. Provjerite je li govorna proteza ispravno postavljena na iglu uvođača i čvrsto pričvršćena, a vrh igle uveden sve do plavog prstena govorne proteze (sl. 3).

Spajanje pomagala za savijanje

4. Provodite iglu uvođača kroz otvor na pomagalu za savijanje dok ne klikne na mjesto. Povlačite iglu uvođača dok se ne uvuče u pomagalo za savijanje (sl. 16). Provox Insertion System sada je spreman za pripremanje. Nastavite s pripremom na način opisan u prethodnom odjeljku 2.2.

OPREZ: ponovno postavljanje nemojte izvoditi više od dva puta. Ako su na govornoj protezi Provox Vega vidljivi znakovi oštećenja, nemojte je rabiti.

2.5 Dovršavanje postupka

Nakon umetanja:

Provjerite pravilnost pristajanja

1. Provjerite nalazi li se govorna proteza u pravilnom položaju tako da zakrenete i lagano povučete iglu uvođača (sl. 17). Proteza je u idealnom položaju kada je sigurnosna vrpca okrenuta prema dolje.

Ispitajte funkcionalnost

2. Očerkajte protezu Provox Vega četkicom Provox Brush. Ispitajte funkcionalnost proteze tako da zamolite pacijenta da nešto kaže i potvrdite da proteza ne propušta dok pacijent pije vodu (sl. 18).

Odrežite sigurnosnu vrpцу

3. Nakon što ste potvrdili da je govorna proteza pravilno postavljena, odrežite sigurnosnu vrpцу tako da bude u ravnini s trahealnom privrubicom (sl. 19). Govorna proteza Provox Vega sada je spremna za upotrebu.

2.6 Odlaganje

Uvijek slijedite medicinsku praksu i nacionalne propise o odlaganju opasnog otpada kada odlažete iskorišteni medicinski proizvod.

3. Važne informacije za pacijente

3.1 Općenite informacije

Provjerite razumije li pacijent da se mora javiti kliničkom djelatniku ako:

- Postoji propuštanje kroz ili oko proteze (kašalj i/ili mijenjanje boje sluzi).
- Govor postane otežan (veći napor i/ili govor zvuči više napregnuto).
- Dolazi do bilo kakvih znakova upale ili promjene tkiva na mjestu punkcije ili području stome (bol, crvenilo, toplina, otekline, tragovi krvi na četkici nakon četkanja).

Također, obavijestite pacijenta o sljedećem:

- Nakon zamjene proteze u sputumu može biti tragova krvi. Oni mogu biti rezultat granulacije na rubovima TE-punkcije.
- Čep Provox Vega Plug može se rabiti za privremeno zaustavljanje propuštanja kroz govornu protezu.
- Preporučuju se govorne vježbe s obučanim kliničkim djelatnikom kako bi se postigao optimalan zvuk glasa, tečan govor i optimalna razumljivost.

3.2 Održavanje proteze

Podučite pacijenta tome kada i kako treba čistiti svoju govornu protezu Provox Vega. Čišćenjem proteze barem dva puta dnevno može se produljiti vijek trajanja uređaja.

OPREZ: za čišćenje proteze upotrebljavajte isključivo originalne dodatke Provox koji su namijenjeni za upotrebu s protezom Provox Vega.

- Četkanjem proteze četkicom Provox Brush dvaput dnevno uklonit ćete sluz i ostatke hrane iz proteze.
- Ispiranjem proteze s pomoću dodatka Provox Flush za ispiranje čiste se nečistoće i sluz iz proteze, čime se može produljiti vijek trajanja uređaja.
Napomena: dodatak Provox Flush za ispiranje namijenjen je samo pacijentima koji su, po procjeni kliničkog djelatnika koji propisuje uređaj, pokazali sposobnost da razumiju i dosljedno se pridržavaju uputa za uporabu bez nadzora kliničkog djelatnika.
- Za neke se prehrambene mjere, kao što je svakodnevni unos jogurta ili mlaćenice koji sadrže laktobacile, smatra da pomažu spriječiti prekomjeran razvoj kandidate.

Detaljne informacije o čišćenju proteze Provox Vega potražite u Uputama odgovarajućeg dodatka.

4. Dodatne informacije

4.1 Kompatibilnost s MR-om, rendgenom i liječenjem zračenjem

Govorne proteze Provox Vega ispitane su i utvrđeno je da su kompatibilne sa snimanjem magnetskom rezonancijom (testirano do 3 tesle) i rendgenom te liječenjem zračenjem (testirano do 70 Gy). Proteza se može ostaviti unutar TE-punkcije tijekom pregleda / terapijskog tretmana. Imajte na umu da je radiokontrastni dosjed ventila vidljiv na rendgenu.

4.2 Životni vijek proizvoda

Ovisno o pojedinačnim biološkim okolnostima razlikuje se životni vijek proizvoda i nije moguće predvidjeti integritet proizvoda tijekom dužeg vremenskog razdoblja. Na materijal proizvoda utjecat će primjerice bakterije i gljivice, a strukturni integritet proizvoda s vremenom će se pogoršati.

Laboratorijsko testiranje simulirane uporabe tijekom razdoblja testiranja od 12 mjeseci dokazalo je da u odsustvu bakterija i gljivica proizvod održava svoj strukturni integritet u tom vremenskom razdoblju. Uređaj nije ispitan za uporabu nakon 12 mjeseci. Upotreba dulja od ove granice ovisi isključivo o osobi koja preporučuje upotrebu proteze.

4.3 Kompatibilnost s antimikoticima

Laboratorijsko testiranje pokazalo je samo manji negativan utjecaj na funkciju govorne proteze Provox Vega i njezinih dijelova kada su se upotrebljavali sljedeći antimikotici: nistatin, flukonazol, mikonazol.

5. Prijava nezgoda

Sve ozbiljne incidente povezane s uređajem potrebno je prijaviti proizvođaču i nacionalnom tijelu u državi u kojoj se korisnik i/ili bolesnik nalazi.

Provox Vega

1. Tanımlayıcı bilgi

1.1 Kullanım amacı

Provox Vega Ses Protezi larinksin cerrahi olarak çıkarılmasından (larenjektomi) sonra ses rehabilitasyonuna yönelik tek kullanımlık steril kalıcı bir ses protezidir. Ses protezinin temizliği yerinde kaldığı sırada hasta tarafından yapılır.

Provox Insertion System, Provox Vega Ses Protezinin anterograd değişimine yönelik tek kullanımlık steril bir cihazdır. Bu değiştirme prosedürü yerel veya ulusal kılavuz ilkelere göre bir tıp doktoru veya eğitilmiş bir tıp uzmanı tarafından gerçekleştirilir.

Provox Insertion System bir ses protezinin yeni yapılmış bir ponksiyona yerleştirilmesinde kullanıma yönelik değildir.

1.2 Cihazın tanımı

Genel

Provox Vega, bir TE-ponksiyonunu konuşma amacıyla açık tutarken, trakeye sıvı ve gıda girişi riskini azaltan tek yönlü bir valftir (protez). Provox Vega ses protezi, kalıcı bir implant değildir ve periyodik olarak değiştirilmesi gerekir. Protez (Şekil 1) farklı çaplarda ve birçok uzunlukta temin edilebilmektedir. Cihaz, tıbbi sınıf silikon kauçuk ve floroplastikten yapılmıştır.

Provox Vega ambalajı

Provox Vega ambalajı aşağıdakileri içerir:

- 1 adet Provox Vega ses protezi, tek kullanımlık Insertion System ile birlikte önceden hazırlanmış olarak, steril (Şekil 2)
- 1 adet ses protezinin boyutuna karşılık gelen Provox Brush, steril olmayan
- 1 adet Provox Vega Klinisyen el kitabı
- 1 adet Provox Vega Hasta el kitabı
- 1 adet Provox Brush Kullanım Talimatları

1.3 KONTRENDİKASYONLAR

Prostetik ses rehabilitasyonu kullanan hastalar arasında Provox Vega ses protezi kullanımı veya değiştirilmesi ile ilgili bilinen herhangi bir kontrendikasyon yoktur.

1.4 UYARILAR

- **Provox Vega ses protezinin TE ponksiyonundaki yerinden oynaması veya çıkması** ve ardından yutulması, aspirasyonu veya doku hasarı gerçekleşebilir. Solunum yolundaki bir yabancı cisim akut solunum distresi ve/veya solunum durması gibi ciddi komplikasyonlara yol açabilir.
- **Uygun protez boyutunu seçin.** Fazla sıkı olması doku nekrozuna ve ekstrüzyona neden olabilir.
- Herhangi bir ödem ve/veya enflamasyon/enfeksiyon bulgusu varsa **hastaya hemen doktora başvurmasını** söyleyin.
- Hastaya, ses protezinde veya protezin etrafında sızıntı olması halinde **doktora başvurmasını söyleyin.** Sızıntı, aspirasyon pnömonisine neden olabilir.
- Kullanılıyorsa, proteze basınç uygulamayan ya da larenjektomi tüpü veya stoma düğmesinin yerleştirilmesi ya da çıkarılması sırasında trakeal flaşa takılmayan **uygun boyutlu larenjektomi tüpleri ya da stoma düğmeleri** seçin. Bu ağır doku hasarına ve/veya protezin kazara yutulmasına neden olabilir.
- Hastayı, bakım için ve diğer tüm manipülasyon türlerinden kaçınmak amacıyla, **yalnızca uygun boyutta orijinal Provox aksesuarlar** (Brush, Flush, Plug) kullanması konusunda bilgilendirin.
- **Tekrar kullanma veya tekrar işleme koyma** hastaya zarar verebilecek şekilde cihazda hasara ve çapraz kontaminasyona neden olabilir.

1.5 ÖNLEMLER

- Protez yerleştirme ya da değiştirme öncesinde kanama bozuklukları olan hastaları veya antikoagülan tedavi alan hastaları kanama veya hemoraji riski açısından dikkatle değerlendirin.
- Kullanmadan önce ambalajı inceleyin. Ambalaj hasarlı veya açılmışsa, ürünü kullanmayın.
- Enfeksiyon riskini azaltmak için protez ile çalışırken her zaman aseptik tekniği kullanın.

2. Kullanım talimatı

2.1 Ses protezinin boyutunu seçin

Değiştirme protezi için doğru boyun ve şaft çapının seçilmesi

Uygun şaft çapına ve boya sahip bir Provox Vega ses protezi kullandığınızdan emin olun. Provox Vega çeşitli şaft çapları ve farklı boylarda temin edilebilir.

- **Şaft çapının seçilmesi**

Klinisyenin hastaya uygun protez için doğru protez çapını belirlemesi gerekir. Seçilen çap bir önceki protezden büyükse, traktın yerleştirilen protez çapına uygun olarak Provox Dilator kullanılarak genişletilmesi gerekir.

Eğer daha küçük şaft çaplı bir protez takılacaksa, ponksiyonun uygun çapta küçülmüş olduğu gözlenmeli ve iyice kontrol edilmelidir.

- **Şaft uzunluğunun seçilmesi**

Doğru uzunluğu seçmek için, mevcut protezi ölçüm cihazı olarak kullanabilirsiniz. Eski protezin Trakeal Flanşı ve mukoza duvarı arasında çok fazla (örneğin 3 mm/~0,12 inç ya da fazla) boşluk varsa, daha kısa bir protez kullanılmalıdır. Protez aşırı sıkı duruyorsa, daha uzun bir protez kullanılmalıdır.

2.2 Hazırlık

(Şekil 3-6)

Ses protezini konumlandırma

1. Ses Protezinin Yerleştirme Pimi üzerinde doğru konumlanıp sıkıca bağlandığından ve pim ucunun ses protezinin mavi halkasının içine doğru iyice yerleştirilmiş olduğundan emin olun (Şekil 3).

Özofagus flanşını katlama

2. Yerleştirme Piminin Katlama Aracına göre doğru konumda olduğunu (Pim, Katlama Aracının içine oturacaktır) doğrulayın.
3. Katlama Aracını iki parmak ile sıkın (Şekil 4).
4. Katlama Aracını kapalı olarak tutarken Yükleme Tüpünü takın ve Yükleme Tüpünü yerine oturuncaya kadar çevirin (Şekil 5). (Kapsül Yerleştirme için uygulanamaz)

Yükleme

5. Yerleştirme Pimini ses protezi Yükleme Tüpü üzerindeki görünen halka ile hizalanana kadar ileri doğru itin (Şekil 6) (Kapsül Yerleştirme için uygulanamaz)

Eski ses protezini çıkarma

6. Mevcut (eski) protezi dışsüz bir hemostat ile çekerek TE ponksiyonundan çıkarın. Klinisyenin tercihine bağlı alternatif olarak, protezin trakeal flanşı forseps ile kavranıp kesilebilir. Daha sonra protezin kalan kısmı bağırsak yolundan geçiş için özofagusun içine itilir. Bu yöntemi kullanmadan önce hastanın tüm bağırsak hastalıkları geçmişi göz önünde bulundurulmalıdır.

Ponksiyonu hazırlama (opsiyonel)

7. Ponksiyon ses protezinin yerleştirilmesi için genişletilebilir. Bu, genelde gerekli değildir ancak kolayca çökebilene kıvrımlı ya da dar ponksiyona sahip hastalarda yerleştirmeyi kolaylaştırabilir.

2.3 Yerleştirme, Anterograd değiştirme prosedürü

Bir Provox Vega ses protezini Provox Insertion System ile yerleştirmek için dört yöntem kullanılabilir. Yöntem seçimi klinisyenin tercihine bağlıdır.

- 2.3.1 Sistem Yerleştirme: Yerleştirme sisteminin tamamı kullanılır.
- 2.3.2 Tüp Yerleştirme: Yerleştirmeden önce katlama Aracı çıkarılır.
- 2.3.3 Aşırı İtmeli Yerleştirme: Ses protezinin tamamı özofagus içine konumlandırılır ve ardından istenen konuma geri çekilir.
- 2.3.4 Kapsül Yerleştirme: Ses protezi, yerleştirmeden önce bir Provox Capsule içine konur.

2.3.1 Yöntem 1: Sistem Yerleştirme

1. **TE ponksiyonuna girme**
Provox Insertion System'i Yükleme Tüpünden tutun. Yükleme Tüpünün Ucuyla ponksiyona girin. Dirençle karşılaşırsanız dikkatli ilerleyin. Direnç varsa, dilatasyon ve/veya kayganlaştırma yerleştirmeyi kolaylaştırabilir.
2. **Ses protezini yerleştirme**
Yükleme Tüpünü tek elle sabit tutun ve diğer elinizle Yerleştirme Pimini Distal kavrama yüzeyindeki oklar Katlama Aracının alt kenarına gelinceye dek itin (Şekil 7). Bu noktada, ses protezinin özofagus flanşı özofagusta tamamen açılır.
3. **Ses protezini bırakma**
Yükleme Tüpünü ve Katlama Aracını birlikte ponksiyondan doğrudan çıkarın. Ses protezi ponksiyonda, Yerleştirme Pimine hala sıkı şekilde bağlı olarak kalır.
4. **Prosedürü sonlandırma**
Yerleştirmenin ardından, prosedürü aşağıdaki bölüm 2.5'te gösterildiği gibi sonlandırın.

2.3.2 Yöntem 2: Tüp Yerleştirme

Görünürlüğü arttırmak için, protez Yükleme Tüpüne itildiğinde Katlama Aracı çıkarılabilir.

Not: Protezi yüklerken Provox Insertion System'i daima Katlama Aracı takılı şekilde kullanmak özofagus flanşının düzgün katlanması açısından önemlidir.

1. **Katlama Aracını Çıkarma**
Katlama Aracını, Yükleme Tüpünden çözüp ayırarak çıkarın (Şekil 8).
2. **TE ponksiyonuna girme**
Provox Insertion System'i Yükleme Tüpünden tutun. Yükleme Tüpünün Ucuyla ponksiyona girin. Dirençle karşılaşırsanız dikkatli ilerleyin. Direnç varsa, dilatasyon ve/veya kayganlaştırma yerleştirmeyi kolaylaştırabilir.

3. Ses protezini yerleştirme

Yerleştirme Pimini diğer elinizle Proksimal kavrama yüzeyindeki oklar Yükleme Tüpüne gelinceye dek itin (Şekil 9). Bu noktada, ses protezinin özofagus flanşı özofagusta tamamen açılır.

4. Ses protezini bırakma

Yükleme Tüpünü bir elle ve Yerleştirme Pimini diğeriyle tutun. Hem Yükleme Tüpünü hem de Yerleştirme Pimini, özofagus flanşının anterior özofagus duvarına ulaştığını hissedene dek çekin. Ardından, Yerleştirme Pimini bırakın ve Yükleme Tüpünü ponksiyondan doğrudan çıkarın. Bu trakeal flanşı serbest bırakacaktır.

Not: Trakeal flanş özofagus ya da ponksiyon (kazara aşırı itme) içinde açılırsa, trakeal flanşı dışsuz bir hemostat ile kavrayıp ses protezini yerinde çekin/çevirin.

5. Prosedürü sonlandırma

Yerleştirmenin ardından, prosedürü aşağıdaki bölüm 2.5'te gösterildiği gibi sonlandırın.

2.3.3 Yöntem 3: Aşırı İtmeli Yerleştirme

Provox Vega ses protezinin aşırı itilmesi bazen zorlu TE ponksiyonlarından özofagus flanşının tamamen gelişimini güvenceye almak için yapılır.

1. Katlama Aracını Çıkarma (Opsiyonel)

Protezin Yükleme Tüpüne itilmesinin ardından, Katlama Aracını Yükleme Tüpünden çözüp sökerek çıkarın (Şekil 8).

2. TE ponksiyonuna girme

Provox Insertion System'i Yükleme Tüpünden tutun. Yükleme Tüpünün Ucuyla ponksiyona girin. Dirençle karşılaşsanız dikkatli ilerleyin. Direnç varsa, dilatasyon ve/veya kayganlaştırma yerleştirmeyi kolaylaştırabilir.

3. Ses protezini yerleştirme

Yükleme Tüpünü tek elle sabit tutun ve Yerleştirme Pimini Proksimal kavrama yüzeyinin ardına geçinceye kadar diğer elinizle itin (Şekil 10). Bu noktada ses protezi özofagusa tamamen yerleşir (Şekil 11).

Aşırı itmeli yerleştirme Katlama Aracı birleştirilmişken yapılırsa, Yerleştirme Pimini Distal kavrama yüzeyinin ardına kadar itin. Bu noktada ses protezi özofagusa tamamen yerleşir (Şekil 12).

4. Ses protezini bırakma

Yükleme Tüpünü ponksiyondan doğrudan çıkarın. Protez özofagusta, Yerleştirme Pimine hala sıkı şekilde bağlı olarak kalır. Trakeal flanşı dışsuz bir hemostat ile kavrayıp ses protezinin yerinde çekin/çevirin.

5. Prosedürü sonlandırma

Yerleştirmenin ardından, prosedürü aşağıdaki bölüm 2.5'te gösterildiği gibi sonlandırın.

2.3.4 Yöntem 4: Kapsül Yerleştirme

Kullanım amacı

Provox Capsule, standart ses protezlerinin bir klinisyen tarafından larenjektomili hastalara anterograd biçimde yerleştirilmesi için tek kullanımlık bir aksesuardır.

Cihaz tanımı

Provox Capsule, bitkisel kökenli ve suda çözünür bir maddeden üretilmiş olup 17, 20 ve 22,5 Fr olmak üzere üç farklı çaptaki ses protezleriyle kullanılabilir.

UYARILAR

- Ses protezinin doğru biçimde katlandığından ve takılmadan önce Provox Capsule'e doğru biçimde yerleştirildiğinden emin olun. Provox Capsule erken düşerse aspire edilebilir. Kayganlaştırıcıların Capsule için bağlantı yeri oluşturabileceğini göz önünde bulundurun.
- Kontaminasyon şüphesi olduğunda Provox Capsule'ü kullanmayın.
- Paket veya kapsüller hasar görmüş gibi görünüyorsa Provox Capsule'leri kullanmayın.
- TE ponksiyonuna yerleştirilmeden önce ses protezinin çalışır durumda olduğundan emin olun. Ses protezinin yerleştirilmesinin ardından kullanımı için belirtilen güvenlik talimatlarına mutlaka uyun.

ÖNLEMLER

- Ses protezine zarar verebileceğinden özofagus flanşını Provox Capsule içine yerleştirmek için keskin aletler kullanmayın.
- Yalnızca ses protezi ile aynı çapta veya ses protezinden bir boy büyük Provox Capsule kullanın.

Provox Insertion System'in Katlama Aracı, standart bir Provox Vega ses protezinin özofagus flanşını Provox Capsule* içine katlamak için kullanılabilir. Bu prosedürde Yükleme Tüpü kullanılmaz.

1. Protezi Provox Capsule'ün içine yerleştirin

Provox Capsule'ün uzun kısmını atın ve yerleştirme işlemi için kısa kısmını kullanın. Katlama Aracını iki parmağınızla uçları birbirine temas edecek şekilde sıkın ve kapsülü Katlama Aracının ağzına yerleştirin (Şekil 13). Kapsülü işaret parmağınızla tutarken Katlama Aracını uçları birbirine temas edecek şekilde tutun (Şekil 14). Katlama Aracını uçları birbirine temas edecek şekilde tutmak için Provox TwistLock ürününü de kullanabilirsiniz. Yerleştirme Pimini sıkıca ileri doğru itin. Bu, ses protezinin özofagus flanşını kapsülün içine yükleyecektir.

2. Yüklemenin doğru olup olmadığını kontrol edin

Ses protezi artık Provox Capsule içine yüklenmiş durumdadır ve Katlama Aracı, Yerleştirme Piminden çıkarılabilir. Özofagus flanşının kapsülün içinde olduğunu onaylayın (Şekil 15). Ses protezi düzgün şekilde katlanmamışsa yükleme işlemi yeni bir Provox Capsule ile tekrarlanmalıdır. Ses protezinin kayışının, protezin ponksiyona yerleştirilmesi için kullanılan yerleştirme pimine sabitlendiğinden emin olun.

3. Eski ses protezini çıkarın ve TE ponksiyonunu hazırlayın (bkz. Bölüm 2.2, madde 6 ve 7).
 4. **Provox Capsule'ü ponksiyona yerleştirin**
Provox Capsule çözülene ve özofagus flanşı tamamen açılana kadar ses protezini tam yerleştirilmiş konumda tutun. Ses protezinin doğru konumda olmasını sağlamak için protezin kayışını hafifçe çekin.
 5. **Ses protezinin serbest bırakılması**
Yerleştirme pimini ses protezinden çıkarın. Ses protezi ponksiyonun içinde kalır.
 6. **Prosedürün sonlandırılması**
Yerleştirme işleminin ardından, aşağıdaki bölüm 2.5'te açıklandığı şekilde prosedürü sonlandırın.
- * Tüm ülkelerde mevcut değildir.

2.4 Provox Insertion System'in montajı ve yeniden yüklemesi

Provox Vega'nın TE ponksiyonuna yerleştirilmesi ilk denemede başarısız olursa, ses protezini Provox Insertion System içine tekrar yüklemek mümkündür.

Ses protezini konumlandırma

1. Ses protezini trakeal tarafı Yerleştirme Piminin üstüne bakacak şekilde takın.
2. Güvenlik Kayışını iki taraftaki Bağlantı Yuvalarından geçirerek bağlayın.
3. Ses Protezinin Yerleştirme Pimi üzerinde doğru konumlanıp sıkıca bağlandığından ve pim ucunun ses protezinin mavi halkasının içine doğru iyice yerleştirilmiş olduğundan emin olun (Şekil 3).

Katlama Aracını Takma

4. Yerleştirme Pimini yerine oturana kadar Katlama Aracının ağızından geçirin. Pimi, Katlama Aracına oturana kadar çekin (Şekil 16). Provox Insertion System artık hazırlama için hazırdır. Hazırlamaya yukarıdaki bölüm 2.2'de açıklandığı gibi devam edin.

DİKKAT: İki kereden fazla tekrar yükleme yapmayın. Provox Vega ses protezinde hasar belirtileri görürseniz, ses protezini kullanmayın.

2.5 Prosedürü sonlandırma

Yerleştirmeden sonra:

Tam oturduğundan emin olma

1. Yerleştirme Pimini çevirip hafifçe çekerek ses protezinin konumunun düzgün olduğundan emin olun (Şekil 17). Protez, Güvenlik Kayışı aşağı doğru iken ideal konumdadır.

Düzgün çalışmayı test etme

2. Provox Vega'yı Provox Brush ile fırçalayın. Hastadan konuşmasını isteyip, hasta su içerken protezin sızdırıp sızdırmadığını gözlemleyerek protezin düzgün çalıştığını test edin (Şekil 18).

Güvenlik Kayışını kesme

3. Ses protezinin düzgün yerleştirildiğinden emin olduktan sonra, Güvenlik Kayışını Trakeal Flaşa denk gelecek şekilde kesin (Şekil 19). Provox Vega ses protezi artık kullanıma hazırdır.

2.6 Atma

Kullanılmış bir tıbbi cihazı atarken biyolojik tehlikeyle ilgili tıbbi uygulamalara ve ulusal gerekliliklere daima uyun.

3. Önemli hasta bilgileri

3.1 Genel bilgiler

Hastanın şu durumlarda klinisyeniyle irtibata geçmesi gerektiğini anladığından emin olun:

- Protezden veya protez etrafında sızıntı varsa (öksürme, ve/veya mukus rengi değişikliği).
- Konuşmada zorlanma varsa (daha fazla çaba ve/veya ses daha zorlanmış gelirse).
- Ponksiyon bölgesinde ya da stoma bölgesinde enflamasyon veya doku değişikliklerine dair belirtiler varsa (ağrı, kızarıklık, sıcaklık, şişlik, fırçalama sonrasında fırçada kan izleri).

Ayrıca hastanıza şunları bildirin:

- Bir protez değiştirme işleminden sonra tükürükte kan izlerine rastlanabilir. Bu TE ponksiyonunun kenarındaki granülasyon dokusundan gelebilir.
- Provox Vega Plug geçici olarak ses protezindeki sızıntıyı durdurmak için kullanılabilir.
- Eğitilmiş bir klinisyen ile Konuşma Alıştırması Seansları optimal ses gücüne, akıcı konuşmaya ve optimal anlaşılabilirliğe ulaşmak için önerilir.

3.2 Protez bakımı

Hastaya Provox Vega ses protezinin ne zaman ve nasıl temizlenmesi gerektiğini anlatın. Protezi günde en az iki defa temizlemek cihazın ömrünü uzatmaya yardımcı olur.

DİKKAT: Protezi temizlerken sadece Provox Vega ile kullanıma yönelik orijinal Provox aksesuarları kullanın.

- Protezi Provox Brush ile günde iki kez fırçalamak mukusu ve gıda kalıntılarını protezden temizlemeye yardımcı olacaktır.
 - Protezi Provox Flush ile fırçalamak ayrıca protezdeki kalıntı ve mukusu temizlemeye yardımcı olarak, cihazın ömrünü uzatmaya yardımcı olacaktır.
- Not:** Provox Flush yalnızca cihazı reçeteye veren klinisyen tarafından klinisyen gözetimi olmaksızın tutarlı bir şekilde kullanım talimatlarını anlayıp uygulayabilecek durumda olduğuna karar verilmiş hastalar tarafından kullanıma yöneliktir.

- Гүндүк лактик асид бактериялары ичкерен жоғурт яа да тереяғи түкетмек gibi bazı beslenme өнлемеринин ашры Candida гелишимине каршы яардымчы олдуғу дүшүнүлмектедир.

Provox Vega'nın temizlenmesi ile ilgili ayrıntılı bilgi için, lütfen her aksesuar için Kullanma Talimatına bakın.

4. Ek bilgi

4.1 MR, X-ışını ve ışın tedavisiyle uyumluluk

Provox Vega ses protezleri test edilmiş ve Manyetik Rezonans Görüntüleme (3 Tesla'ya kadar test edilmiştir), röntgen ve radyasyon terapisi (70 Gy değerine kadar test edilmiştir) ile uyumlu olduğu belirlenmiştir. Muayene/tehdavi seansı sırasında, protez TE deliği içinde bırakılabilir. Radyopak valf yatağının röntgende görünür olduğunu unutmayın.

4.2 Cihazın kullanım ömrü

Bireysel biyolojik koşullara göre cihaz ömrü farklılık gösterir ve daha uzun bir dönemden sonra cihazın bütünlüğü öngörülemez. Cihazın malzemesi, örn. bakteri ve mayadan etkilenir ve cihazın yapısal bütünlüğü nihayetinde bozulacaktır.

12 aylık simüle edilmiş bir kullanım periyodundaki laboratuvar testleri, bakteri ve mayanın yokluğunda cihazın bu süre içinde yapısal bütünlüğünü koruyacağını göstermiştir. Cihaz 12 aydan uzun süre kullanım için test edilmemiştir. Bu limitin ötesinde kullanım, yalnızca reçetelendirenin sorumluluğundadır.

4.3 Antifungal ilaçlarla uyumluluk

Laboratuvar testleri, aşağıdaki antifungal ilaçların kullanımının, Provox Vega ses protezi ve bileşenlerinin işlevi üzerinde yalnızca küçük bir olumsuz etkisi olduğunu göstermektedir: Nistatin, Flukonazol ve Mikonazol.

5. İhbar

Cihazla ilgili meydana gelen herhangi bir ciddi olay üreticiye ve kullanıcının ve/veya hastanın ikamet ettiği ülkedeki ulusal yetkiliye bildirilmelidir.

РУССКИЙ

Provox Vega

1. Описание

1.1 Назначение

Голосовой протез Provox Vega представляет собой стерильный постоянный голосовой протез для одноразового использования, который предназначен для восстановления голоса после хирургического удаления гортани (ларингэктомии). Очистка голосового протеза выполняется пациентом, когда он установлен на месте.

Система Provox Insertion System представляет собой стерильное устройство для одноразового использования, которое предназначено для антероградной замены голосового протеза Provox Vega. Такая процедура замены выполняется врачом или квалифицированным медицинским работником в соответствии с местными и национальными рекомендациями.

Система Provox Insertion System не предназначена для установки голосового протеза в новой фистуле.

1.2 Описание устройства

Общие положения

Протез Provox Vega представляет собой одноходовой клапан, который держит трахеопищеводную фистулу в открытом положении для обеспечения речевой функции и снижает риск попадания жидкости и пищи в трахею. Голосовой протез Provox Vega не является долговечным имплантатом, его необходимо периодически менять. Протез (рис. 1) поставляется в нескольких вариантах разных диаметров и различной длины. Устройство изготовлено из медицинской силиконовой резины и фторопласта.

Комплект Provox Vega

Комплект Provox Vega содержит следующие компоненты:

- 1 голосовой протез Provox Vega, предварительно установленный в системе Insertion System для одноразового использования, стерильный (рис. 2)
- 1 щетка Provox Brush, соответствующая по размеру голосовому протезу, нестерильная
- 1 руководство для клинических врачей Provox Vega
- 1 руководство пациента Provox Vega
- 1 инструкция по применению щетки Provox Brush

1.3 ПРОТИВОПОКАЗАНИЯ

Отсутствуют известные противопоказания при использовании или замене голосового протеза Provox Vega у пациентов, уже использующих протезы для восстановления голоса.

1.4 ПРЕДУПРЕЖДЕНИЯ

- **Возможно смещение или выталкивание голосового протеза Provox Vega** из трахеопищеводной фистулы и последующее попадание в пищеварительный тракт, вдыхание или повреждение ткани. Инородное тело в дыхательных путях может привести к таким серьезным осложнениям, как синдром острой дыхательной недостаточности и (или) остановка дыхания.
- **Выбирайте протез надлежащего размера.** Плотная установка может привести к некрозу тканей и выталкиванию.
- **Пронструктурируйте пациента о необходимости немедленного обращения к врачу** в случае наличия каких-либо признаков отека ткани и (или) воспаления или инфекции.
- **Пронструктурируйте пациента о необходимости немедленного обращения к врачу**, если через голосовой протез или по краям протеза есть утечка. Утечка может привести к аспирационной пневмонии.
- **Если используются ларингэктомические трубки или кнопки стомы**, выберите устройства подходящей формы, которые не будут оказывать давление на протез или цепляться за трахеальный фланец протеза во время установки или извлечения ларингэктомической трубки или кнопки стомы. Это может привести к серьезному повреждению тканей и (или) случайному проглатыванию протеза.
- **Объясните пациенту, что необходимо использовать только оригинальные принадлежности Provox** надлежащего размера (Brush, Flush, Plug) для обслуживания и избегать любых других манипуляций.
- **Повторное использование и повторная обработка** могут вызвать перекрестное заражение и повреждение устройства, что может нанести вред пациенту.

1.5 МЕРЫ ПРЕДОСТОРОЖНОСТИ

- Тщательно оценивайте риск развития кровотечения или кровопотери до установки или замены протеза у пациентов с нарушениями свертываемости крови или пациентов, принимающих антикоагулянты.
- Перед использованием осмотрите упаковку комплекта. Если упаковка повреждена или открыта, не используйте изделие.
- Чтобы снизить риск инфицирования, при обращении с протезом всегда используйте асептическую технику.

2. Инструкции по применению

2.1 Выбор размера голосового протеза

Выбор правильного диаметра стержня и длины протеза на замену

Обязательно используйте голосовые протезы Provox Vega с правильным диаметром стержня и нужной длины. Протез Provox Vega поставляется в нескольких вариантах различной длины и со стержнями разного диаметра.

- **Выбор диаметра стержня**
Врач должен определить правильный диаметр протеза, который подходит для пациента.
Если выбранный диаметр больше, чем у предыдущего протеза, то необходимо расширить тракт с помощью расширителя Provox Dilator, соответствующего диаметру устанавливаемого протеза.
Если устанавливается протез с меньшим диаметром стержня, осмотрите и удостоверьтесь, что фистула сжимается до соответствующего диаметра.
- **Выбор длины стержня**
Выбор правильной длины можно с помощью используемого протеза в качестве измерительного устройства.
Если между трахеальным фланцем старого протеза и стенкой слизистой слишком большое пространство (то есть 3 мм/~0,12 дюйма или более), необходимо использовать более короткий протез. Если протез сидит слишком туго, необходимо использовать более длинный протез.

2.2 Подготовка

(рис. 3-6)

Расположение голосового протеза

1. Убедитесь, что голосовой протез правильно расположен на стержне для введения, надежно зафиксирован, а кончик стержня полностью вставлен в синее кольцо голосового протеза (рис. 3).

Свертывание пищеводного фланца

2. Убедитесь, что стержень для введения и свертывающий инструмент расположены правильно (стержень должен быть зафиксирован в свертывающем инструменте).
3. Двумя пальцами сожмите свертывающий инструмент (рис. 4).
4. Установите загрузочную трубку, удерживая свертывающий инструмент в закрытом состоянии, и поверните загрузочную трубку до щелчка (рис. 5). (Неприменимо для установки капсулы.)

Установка

5. Продвиньте стержень для введения вперед, чтобы совместить голосовой протез с видимым кольцом на загрузочной трубке (рис. 6). (Неприменимо для установки капсулы.)

Извлечение старого голосового протеза

6. Извлеките используемый (старый) протез из трахеопищеводной фистулы вытянув его с помощью кровоостанавливающего зажима без зубцов. Кроме того, по усмотрению врача можно захватить пинцетом трахеальный фланец протеза и обрезать. Оставшаяся часть протеза затем проталкивается в пищевод для прохождения через кишечный тракт. Перед использованием этого метода необходимо учесть историю кишечных заболеваний пациента.

Подготовка фистулы (дополнительно)

7. Возможно, для подготовки установки голосового протеза потребуется расширить фистулу. Обычно это не требуется, но может упростить введение протеза у пациентов с наклонными или плотными фистулами, которые легко сжимаются.

2.3 Процедура установки и антероградной замены

Чтобы установить голосовой протез Provox Vega с помощью системы Provox Insertion System, можно использовать четыре метода. Выбор метода остается на усмотрение врача.

2.3.1 Установка системы: используется вся система Insertion System.

2.3.2 Установка трубки: перед установкой свертывающий инструмент снимается.

2.3.3 Установка с избыточным введением: голосовой протез полностью развертывается в пищеводе, а затем отводится в нужное положение.

2.3.4 Установка капсулы: голосовой протез размещается в капсуле Provox Capsule перед установкой.

2.3.1 Метод 1. Установка системы

1. Войдите в трахеопищеводную фистулу

Удерживайте систему Provox Insertion System за загрузочную трубку. Вставьте кончик загрузочной трубки в фистулу. При наличии сопротивления продолжайте с осторожностью. При наличии сопротивления расширение и (или) смазка могут облегчить установку.

2. Установите голосовой протез

Удерживая загрузочную трубку одной рукой, продвиньте стержень для введения другой рукой, пока стрелки на поверхности дистального захвата не окажутся на одной линии с нижней частью свертывающего инструмента (рис. 7). На этом этапе пищеводный фланец голосового протеза полностью развернется в пищеводе.

3. Отпустите голосовой протез

Вытяните загрузочную трубку и свертывающий инструмент вместе без перекосов из фистулы. Голосовой протез останется в фистуле; но по-прежнему будет надежно прикреплен к стержню для введения.

4. Завершите процедуру

После установки завершите процедуру, как описано ниже в разделе 2.5.

2.3.2 Метод 2. Установка трубки

Для улучшения видимости свертывающий инструмент можно снять после проталкивания протеза в загрузочную трубку.

Примечание. При установке протеза для обеспечения правильного свертывания пищеводного фланца важно всегда использовать систему Provox Insertion System с прикрепленным свертывающим инструментом.

1. Снимите свертывающий инструмент

Снимите свертывающий инструмент, разблокировав и отсоединив его от загрузочной трубки (рис. 8).

2. Войдите в трахеопищеводную фистулу

Удерживайте систему Provox Insertion System за загрузочную трубку. Вставьте кончик загрузочной трубки в фистулу. При наличии сопротивления продолжайте с осторожностью. При наличии сопротивления расширение и (или) смазка могут облегчить установку.

3. Установите голосовой протез

Продвиньте стержень для введения другой рукой, пока стрелки на поверхности проксимального захвата не окажутся на одной линии с загрузочной трубкой (рис. 9). На этом этапе пищеводный фланец голосового протеза полностью развернется в пищеводе.

4. Отпустите голосовой протез

Удерживайте загрузочную трубку одной рукой, а стержень для введения другой рукой. Вытягивайте загрузочную трубку и стержень для введения, пока не почувствуете, что пищеводный фланец достиг передней стенки пищевода. Затем отпустите стержень для введения и вытяните загрузочную трубку из фистулы без перекосов. При этом трахеальный фланец будет освобожден.

Примечание. Если трахеальный фланец развернется внутри пищевода или фистулы (непреднамеренное избыточное введение), захватите трахеальный фланец с помощью кровоостанавливающего зажима без зубцов и потяните/ поверните голосовой протез, чтобы он встал на место.

5. Завершите процедуру

После установки завершите процедуру, как описано ниже в разделе 2.5.

2.3.3 Метод 3. Установка с избыточным введением

Иногда выполняется избыточное введение голосового протеза Provox Vega, чтобы гарантировать полное развертывание пищевода фланца в сложных трахеопищеводных фистулах.

1. **Снимите свертывающий инструмент (дополнительно)**
После проталкивания протеза в загрузочную трубку снимите свертывающий инструмент, разблокировав и отсоединив его от загрузочной трубки (рис. 8).
2. **Войдите в трахеопищеводную фистулу**
Удерживайте систему Provox Insertion System за загрузочную трубку. Вставьте кончик загрузочной трубки в фистулу. При наличии сопротивления продолжайте с осторожностью. При наличии сопротивления расширение и (или) смазка могут облегчить установку.
3. **Установите голосовой протез**
Удерживая загрузочную трубку одной рукой, продвиньте стержень для введения другой рукой за пределы поверхности проксимального захвата (рис. 10). На этом этапе голосовой протез полностью развертывается в пищеводе (рис.11).
При проведении установки с избыточным введением с установленным свертывающим инструментом продвиньте стержень для введения за пределы поверхности дистального захвата. На этом этапе голосовой протез полностью развертывается в пищеводе (рис.12).
4. **Отпустите голосовой протез**
Вытяните загрузочную трубку без перекосов из фистулы. Протез останется в пищеводе; но по-прежнему будет надежно прикреплен к стержню для введения. Захватите трахеальный фланец с помощью кровоостанавливающего зажима без зубцов и потяните/поверните голосовой протез, чтобы он встал на место.
5. **Завершите процедуру**
После установки завершите процедуру, как описано ниже в разделе 2.5.

2.3.4 Метод 4. Установка капсулы

Назначение

Provox Capsule — это одноразовая принадлежность для антеградной установки врачом стандартного голосового протеза в трахеопищеводную фистулу пациента после ларингэктомии.

Описание устройства

Принадлежности Provox Capsule выполнены из водорастворимого материала растительного происхождения и доступны в разных размерах для установки протезов трех различных диаметров: 17, 20 и 22,5 Ff.

ПРЕДУПРЕЖДЕНИЯ

- Перед установкой обязательно убедитесь, что голосовой протез правильно свернут и надлежащим образом вставлен в Provox Capsule. Если принадлежность Provox Capsule отсоединится раньше времени, она может попасть в дыхательные пути. Обратите внимание, что смазывающие вещества могут ухудшить качество крепления принадлежности Capsule.
- Не используйте принадлежность Provox Capsule, если есть подозрение на загрязнение.
- Не используйте принадлежность Provox Capsule, если упаковка или капсулы повреждены.
- Убедитесь, что голосовой протез функционирует после установки в трахеопищеводную фистулу. После установки всегда следуйте указаниям по технике безопасности, приведенным в инструкциях по применению голосового протеза.

МЕРЫ ПРЕДОСТОРОЖНОСТИ

- Не используйте острые предметы для вставки пищевода фланца в принадлежность Provox Capsule, так как это может повредить голосовой протез.
- Используйте принадлежность Provox Capsule только того же размера или на один размер больше относительно диаметра голосового протеза.

Свертывающий инструмент системы Provox Insertion System можно использовать для свертывания пищевода фланца стандартного голосового протеза Provox Vega и его размещения в капсуле Provox Capsule*. Во время этой процедуры загрузочная трубка не используется.

1. Вставьте протез в капсулу Provox Capsule

Утилизируйте длинную часть принадлежности Provox Capsule и используйте короткую часть для вставки. Двумя пальцами сожмите свертывающий инструмент и поместите капсулу в отверстие свертывающего инструмента (рис. 13). Не разжимайте свертывающий инструмент, пока прижимаете капсулу указательным пальцем (рис. 14). В качестве альтернативы используйте Provox TwistLock, чтобы свертывающий инструмент не разжимался. С усилием продвиньте стержень для введения вперед; при этом пищеводный фланец голосового протеза будет загружен в капсулу.

2. Проверка правильности загрузки

Теперь голосовой протез загружен в капсулу Provox Capsule, и свертывающий инструмент можно снять со стержня для введения. Убедитесь, что пищеводный фланец находится внутри капсулы (рис. 15). Если голосовой протез свернут неправильно, необходимо повторить процедуру загрузки с использованием новой капсулы Provox Capsule. Убедитесь, что ремешок голосового протеза прикреплен к штифту инструмента для введения, предназначенного для установки протеза в фистулу.

3. Извлеките старый голосовой протез и подготовьте трахеопищеводную фистулу (см. раздел 2.2, пункты 6 и 7).

- 4. Вставьте принадлежность Provox Capsule в фистулу**
Удерживайте голосовой протез в полностью вставленном положении, пока Provox Capsule не растворится, а пищеводный фланец полностью не развернется. Слегка потяните за ремешок голосового протеза, чтобы убедиться, что он занял правильное положение.
- 5. Отпустите голосовой протез**
Извлеките штифт инструмента для введения из голосового протеза. Голосовой протез останется в фистуле.
- 6. Завершите процедуру**
После установки завершите процедуру, как описано ниже в разделе 2.5.
* Доступна не во всех странах.

2.4 Сборка и повторная установка системы Provox Insertion System

Если при первой попытке не удалось установить протез Provox Vega в трахеопищеводную фистулу, можно повторно загрузить голосовой протез в систему Provox Insertion System.

Расположение голосового протеза

1. Установите голосовой протез на верхушку стержня для введения трахеальной стороной вниз.
2. Прикрепите ремешок безопасности, пропустив его через паз для крепления с любой стороны.
3. Убедитесь, что голосовой протез правильно расположен на стержне для введения, надежно зафиксирован, а кончик стержня полностью вставлен в синее кольцо голосового протеза (рис. 3).

Подсоедините свертывающий инструмент

4. Вставьте стержень для введения через отверстие в свертывающем инструменте до щелчка. Потяните стержень, пока он не будет зафиксирован в свертывающем инструменте (рис. 16). Теперь система Provox Insertion System готова для подготовки. Продолжайте подготовку, как описано в разделе 2.2.

ПРЕДОСТЕРЕЖЕНИЕ. Не загружайте изделие более двух раз. Если голосовой протез Provox Vega имеет какие-либо признаки износа, не используйте его.

2.5 Завершение процедуры

После установки:

Обеспечьте правильную посадку

1. Обеспечьте правильное положение голосового протеза, повернув и осторожно потянув стержень для введения (рис. 17). Протез находится в идеальном положении, когда ремешок безопасности обращен вниз.

Проверьте правильность работы

2. Очистите протез Provox Vega с помощью щетки Provox Brush. Проверьте правильность его работы, попросив пациента сказать что-нибудь и проверив, что протез не протекает, когда пациент пьет воду (рис. 18).

Обрежьте ремешок безопасности

3. После проверки правильности установки голосового протеза, ровно обрежьте ремешок безопасности на трахеальном фланце (рис. 19). Теперь голосовой протез Provox Vega готов к использованию.

2.6 Утилизация

Всегда следуйте медицинской практике и национальным требованиям в отношении биологически опасных веществ при утилизации использованных медицинских устройств.

3. Важная информация для пациента

3.1 Общая информация

Убедитесь, что пациент осознает необходимость обращения к врачу в следующих случаях.

- Наличие утечки через протез или по краям протеза (кашель и (или) изменение цвета слизи).
- Затруднения во время произнесения речи (требуется больше усилий и/или голос звучит более напряженно).
- Появление любых признаков воспаления или изменения ткани в области фистулы или стомы (боль, покраснение, повышение температуры, опухание, следы крови на щетке после чистки).

Кроме того, проинформируйте пациента о следующих особенностях.

- После замены протеза в слюне могут быть заметны следы крови. Они могут возникать из грануляционной ткани по краям трахеопищеводной фистулы.
- Для временного прекращения утечка через голосовой протез можно использовать Заглушку Provox Vega Plug.
- Для обеспечения надлежащего звука голоса, беглой речи и оптимальной разборчивости рекомендуется пройти логопедические занятия с квалифицированным врачом.

3.2 Обслуживание протеза

Проинструктируйте пациента о периодичности и способах очистки голосовых протезов Provox Vega. Чтобы обеспечить длительный срок службы устройства, необходимо чистить его по крайней мере дважды в день.

ПРЕДОСТЕРЕЖЕНИЕ. При чистке протеза Provox Vega пользуйтесь только подлинными принадлежностями Provox, предназначенными для этого устройства.

- Для удаления слизи и остатков пищи из протеза очищайте его с помощью щетки Provox Brush дважды в день.
- Промывка протеза с помощью устройства Provox Flush также позволит удалить загрязнения и слизь с протеза, что обеспечит увеличение его срока службы.
Примечание. Устройство Provox Flush предназначено только для использования теми пациентами, которые (по оценке врача выписавшего это устройство) продемонстрировали способность понимать и последовательно следовать инструкциям по применению без надзора врача.
- Некоторые диеты, например ежедневный прием йогурта или пахты, содержащих лактобактерии, считаются полезными против чрезмерного разрастания грибка Candida.

Для получения подробной информации об очистке протеза Provox Vega см. инструкции для каждой принадлежности.

4. Дополнительная информация

4.1 Совместимость с процедурами МРТ, рентгенотерапии и лучевой терапии

Голосовые протезы Provox Vega прошли проверку и признаны совместимыми с процедурами магнитно-резонансной томографии (выполнялась проверка до 3 Тл), рентгенотерапии и лучевой терапии (выполнялась проверка до 70 Гр). Этот протез можно оставлять в трахеопищеводной фистуле во время сеанса обследования/терапии. Обратите внимание, что рентгеноконтрастное седло клапана видно при рентгенотерапии.

4.2 Срок службы устройства

Срок службы устройства зависит от индивидуальных биологических условий, и предсказать целостность устройства в долгосрочной перспективе невозможно. На материал устройства будут воздействовать различные бактерии и дрожжевой грибок, поэтому герметичность конструкции устройства со временем ухудшится.

В соответствии с лабораторными испытаниями при отсутствии бактерий и дрожжевых грибов конструктивная целостность устройства сохранится в течение 12 месяцев условного использования. Устройство не тестировалось на использование в течение более продолжительного срока, чем 12 месяцев. Использование устройства по истечении этого срока остается на усмотрение врача.

4.3 Совместимость с противогрибковыми препаратами

Лабораторные испытания выявили лишь слабое негативное влияние на функционирование голосового протеза Provox Vega и его компоненты при применении следующих противогрибковых препаратов: нистатин, флуконазол, миконазол.

5. Уведомление

Обратите внимание, что о любых серьезных происшествиях с этим устройством необходимо сообщать производителю и в орган государственной власти той страны, в которой проживает пользователь и/или пациент.

日本語

Provox Vega

1. 本製品の説明

1.1 使用目的

Provox Vega (プロヴォックスヴェガ) ボイスプロテーゼは、単回使用の留置型滅菌済ボイスプロテーゼであり、喉頭の外科的摘出（喉頭摘出術）後のシャント発声に使用します。ボイスプロテーゼの留置中、ボイスプロテーゼの清浄は患者が行います。

Provox Insertion System (プロヴォックスインサージョンシステム) は単回使用の滅菌済デバイスであり、プロヴォックスヴェガボイスプロテーゼを順行的に交換する際に使用します。交換は、国または地域のガイドラインに従って医師または訓練を受けた医療専門家がを行います。

形成したばかりのシャント孔には、プロヴォックスインサージョンシステムを使用しボイスプロテーゼを挿入することを想定していません。

1.2 製品説明

一般事項

プロヴォックスヴェガは一方弁（プロテゼ）であり、発話のためにシャント孔を開いた状態に保つ一方で、液体や食物が気管に入る危険性を低減します。プロヴォックスヴェガボイスプロテゼはインプラントではないため、定期的に交換する必要があります。プロテゼ（図1）は、さまざまな直径と長さを取り揃えています。このデバイスは、医療グレードのシリコーンゴムおよびフッ素樹脂で作られています。

プロヴォックスヴェガのパッケージ

プロヴォックスヴェガのパッケージには下記の品が同梱されています。

- 単回使用の滅菌済インサージョンシステムに組み込み済みのプロヴォックスヴェガボイスプロテゼ 1個（図2）
- ボイスプロテゼに適したサイズの未滅菌Provox Brush（プロヴォックスブラシ） 1本
- プロヴォックスヴェガ臨床医向け取扱説明書 1冊
- プロヴォックスヴェガ患者向け取扱説明書 1冊
- プロヴォックスブラシ取扱説明書 1冊

1.3 禁忌

プロヴォックスヴェガボイスプロテゼの使用や交換に関し、すでにシャント発声を行っている患者の間で既知の禁忌はありません。

1.4 警告

- シャント孔から**プロヴォックスヴェガボイスプロテゼがずれたり脱落したり**すると、摂取や誤嚥、組織の損傷につながるおそれがあります。気道に異物があると、急性呼吸困難や呼吸停止などの重篤な合併症が起こるおそれがあります。
- **適切なサイズのプロテゼを選択してください**。きつく挟まった状態にあると、組織の壊死と穿孔が起こることがあります。
- 組織浮腫や炎症・感染（あるいはその両方）の徴候がある場合は直ぐに、**医師の診察を受けるよう患者に指示してください**。
- ボイスプロテゼの本体または周辺から漏れがある場合、**医師の診察を受けるよう患者に指示してください**。漏れにより誤嚥性肺炎を発症する恐れがあります。
- **気管カニューレやストマボタンを使用する場合**、それらを挿入したり取り外したりする時に、プロテゼに圧力がかかったり、プロテゼの気管側フランジに引っかかったりしないよう適切な形状のものを使用してください。重篤な組織損傷や偶発的なプロテゼの脱落につながるおそれがあります。
- メンテナンス以外の処理を行わずに、メンテナンスには、サイズの合った**純正のプロヴォックス付属品（ブラシ、フラッシュ、プラグ）のみを使用するよう患者に指示してください**。
- **再使用や再処理**は二次汚染および製品の破損を招くおそれがあり、患者に害の及ぶことがあります。

1.5 使用上の注意

- 出血性疾患を有する患者や抗凝固薬投与中の患者については、プロテゼの留置や交換を行う前に、出血の危険性について慎重に検討してください。
- 使用前にパッケージを点検してください。パッケージが損傷していたり開いていたりする場合は、使用しないでください。
- 感染の危険性を低減するため、プロテゼを扱う際はかならず無菌操作で行ってください。

2.使用方法

2.1 ボイスプロテゼのサイズの選択

シャフトの直径と長さが適切な交換用プロテゼの選択

シャフトの直径と長さが適切なプロヴォックスヴェガボイスプロテゼをかならず使用してください。プロヴォックスヴェガには、さまざまな直径と長さのシャフトがあります。

• シャフト直径の選択

患者に適したプロテゼの直径は臨床医が判断してください。

選択した直径が以前のプロテゼより大きい場合、挿入するプロテゼの直径に合わせ、Provox Dilator（プロヴォックスダイレーター）を使用し路を適宜拡張する必要があります。

シャフトの直径が小さいプロテゼを挿入する場合は、シャント孔が適切な直径まで縮小するかを観察し確認します。

• シャフトの長さの選択

正しい長さを選択するため、現在のプロテゼを測定道具として利用してもかまいません。

古いプロテゼの気管側フランジと粘膜壁間の距離が長すぎる（3mmまたは約0.12インチ以上）場合、短いプロテゼを使用する必要があります。プロテゼがぴったりすぎる場合、長いプロテゼを使用する必要があります。

2.2 準備

（図3-6）

ボイスプロテゼの取付け

1. ボイスプロテゼが挿入ピン上の正しい位置にしっかりと取り付けられ、ピンの先端がボイスプロテゼの青い輪の一番奥まで入っていることを確認します（図3）。

食道フランジの折り曲げ

2. 挿入ピンと折り曲げ道具の位置関係が正しいことを確認します（ピンが折り曲げ道具にパチンとはまった状態）。
3. 2本の指で折り曲げ道具を締め付けます（図4）。
4. 折り曲げ道具を閉じたまま装填チューブを取り付け、所定の位置にロックされるまで挿入器をねじります（図5）。
（カプセル挿入には該当しません。）

装填

5. ボイスプロテーゼの位置が、装填チューブにある目印の輪の位置と一致するまで、挿入ピンを押し進めます（図6）。（カプセル挿入には該当しません。）

古いボイスプロテーゼの取出し

6. 無鉤保持鉗子を用いて、現在の（古い）プロテーゼをシャント孔から引き出して取り出します。または、臨床医の自由裁量で、プロテーゼの気管側フランジを鉗子でつかみ、切り離してもかまいません。残りのプロテーゼは、腸管を通過するよう食道に押し込みます。この方法を行うには、患者の腸の病歴を考慮する必要があります。

シャント孔の準備（オプション）

7. ボイスプロテーゼを挿入する準備として、シャント孔を拡張してもかまいません。この処置は通常不要ですが、患者のシャント孔が角度付きだったりきつかったりして崩れやすい場合に挿入が楽になります。

2.3 挿入および順行的な交換の手順

プロヴォックスインサージョンシステムでプロヴォックスヴェガボイスプロテーゼを挿入するには4通りの方法があります。どの方法を選ぶかは臨床医の自由裁量です。

- 2.3.1 システムの挿入：インサージョンシステム全体を使用します。
- 2.3.2 チューブの挿入：折り曲げ道具を取り外してから挿入します。
- 2.3.3 オーバーシュート挿入：ボイスプロテーゼ全体を食道で広げてから目的の位置まで後退させます。
- 2.3.4 カプセル挿入：ボイスプロテーゼをProvox Capsule（プロヴォックスカプセル）に入れて挿入します。

2.3.1 方法1：システムの挿入

1. シャント孔に入れる

プロヴォックスインサージョンシステムを装填チューブで保持します。装填チューブの先端をシャント孔に入れます。抵抗を感じる場合、慎重に前に進めます。抵抗を感じる場合、拡張したり潤滑を施したりすると楽に挿入できます。

2. ボイスプロテーゼの挿入

片手で装填チューブをしっかり持ち、遠位グリップの表面にある矢印と、折り曲げ道具の底部端が同じ高さになるまで、もう片方の手で挿入ピンを押し進めます（図7）。この時点で、ボイスプロテーゼの食道フランジは完全に食道で広がります。

3. ボイスプロテーゼの開放

シャント孔からまっすぐに、装填チューブと折り曲げ道具をいっしょに引き抜きます。ボイスプロテーゼは、挿入ピンに依然としてしっかりと取り付けられた状態でシャント孔に残ります。

4. 手技の完了

挿入後、下記のセクション2.5に従い手技を完了します。

2.3.2 方法2：チューブの挿入

よく見えるように、プロテーゼを装填チューブに押し込んだ後に折り曲げ道具を取り外してもかまいません。

注記：食道フランジが適切に折り曲がるよう、プロテーゼの装填時はかならず折り曲げ道具を取り付けてプロヴォックスインサージョンシステムを使用することが重要です。

1. 折り曲げ道具の取外し

折り曲げ道具のロックを外し装填チューブから抜いて取り外します（図8）。

2. シャント孔に入れる

プロヴォックスインサージョンシステムを装填チューブで保持します。装填チューブの先端をシャント孔に入れます。抵抗を感じる場合、慎重に前に進めます。抵抗を感じる場合、拡張したり潤滑を施したりすると楽に挿入できます。

3. ボイスプロテーゼの挿入

近位グリップの表面にある矢印と装填チューブが同じ高さになるまで、装填チューブを持っていないほうの手で挿入ピンを押し進めます（図9）。この時点で、ボイスプロテーゼの食道フランジは完全に食道で広がります。

4. ボイスプロテーゼの開放

装填チューブを片方の手で、挿入ピンをもう一方の手で持ちます。食道フランジが食道前壁に到達した感触を得るまで、装填チューブと挿入ピンを両方引き戻します。挿入ピンから手を放し、装填チューブをシャント孔からまっすぐ引き抜きます。これにより気管側フランジが開放されます。

注記：気管側フランジが食道またはシャント孔内で広がった（想定外のオーバーシュート）場合、無鉤保持鉗子で気管側フランジをつかみ、ボイスプロテーゼを所定の位置まで引くか回転させます。

5. 手技の完了

挿入後、下記のセクション2.5に従い手技を完了します。

2.3.3 方法3: オーバーシュート挿入

プロヴォックスヴェガボイスプロテゼのオーバーシュート手技は、手技が困難なシャント孔で食道フランジを完全に広げるため、ときどき実施されます。

1. 折り曲げ道具の取外し (オプション)

プロテゼを装填チューブに押し込んだ後に、折り曲げ道具のロックを外し装填チューブから抜いて取り外します (図8)。

2. シャント孔に入れる

プロヴォックスインサージョンシステムを装填チューブで保持します。装填チューブの先端をシャント孔に入れます。抵抗を感じる場合、慎重に前に進めます。抵抗を感じる場合、拡張したり潤滑を施したりすると楽に挿入できます。

3. ボイスプロテゼの挿入

片手で装填チューブをしっかりと持ち、近位グリップの表面より奥まで、もう片方の手で挿入ピンを押し進めます (図10)。この時点で、ボイスプロテゼは完全に食道で広がります (図11)。

折り曲げ道具を組み込んだ状態でオーバーシュート挿入を行う場合、遠位グリップの表面より奥まで挿入ピンを押し進めます。この時点で、ボイスプロテゼは完全に食道で広がります (図12)。

4. ボイスプロテゼの開放

シャント孔からまっすぐに、装填チューブを引き抜きます。プロテゼは、挿入ピンに依然としてしっかりと取り付けられた状態で食道に残ります。無鉤把持鉗子で気管側フランジをつかみ、ボイスプロテゼを所定の位置まで引くか回転させます。

5. 手技の完了

挿入後、下記のセクション2.5に従い手技を完了します。

2.3.4 方法4: カプセル挿入

使用目的

Provox Capsule (プロヴォックスカプセル) は、単回使用の付属品であり、医師により喉頭摘出患者のシャント孔に標準的なボイスプロテゼの順行的な挿入を行う際に使用します。

製品説明

プロヴォックスカプセルは、植物由来の水溶性材料でできており、ボイスプロテゼの3種類の直径 (17、20および22.5 Fr) に合うサイズがあります。

警告

- 挿入を行う前に、ボイスプロテゼが適切に折り込まれていること、ボイスプロテゼがプロヴォックスカプセルの中にきちんとして入っていることを必ず確認してください。プロヴォックスカプセルがあまりに早く外れてしまうと、吸い込まれる恐れがあります。潤滑剤によりカプセルの設置が不安定になる恐れがあります。
- 汚染の疑いがある場合はプロヴォックスカプセルを使用しないでください。
- パッケージまたはカプセルに損傷がある場合、プロヴォックスカプセルを使用しないでください。
- シャント孔への挿入後、ボイスプロテゼが機能することを確認してください。挿入後はボイスプロテゼの取扱説明書に記載の安全上の注意に必ず従ってください。

使用上の注意

- 食道フランジをプロヴォックスカプセルに挿入する際、鋭利なものを使用しないでください。ボイスプロテゼが損傷する恐れがあります。
- ボイスプロテゼの直径と同じまたは1サイズ大きなプロヴォックスカプセルのみを使用してください。

プロヴォックスインサージョンシステムの折り曲げ道具を使用し、標準的なプロヴォックスヴェガボイスプロテゼの食道フランジをプロヴォックスカプセル内に折り込むことができます*。この手技では、装填チューブを使用しません。

1. プロヴォックスカプセルにプロテゼを挿入

プロヴォックスカプセルの長い部分を廃棄し、短い部分を挿入に使用します。2本の指で折り曲げ道具を締め付け、折り曲げ道具の開口部にカプセルを載せます (図13)。折り曲げ道具を締め付けたまま、人差し指でカプセルを下に押し下げます (図14)。あるいは、Provox TwistLock (プロボックスツイストロック) を使用して折り曲げ道具を固定します。挿入ピンを確実に押し進めることで、ボイスプロテゼの食道フランジがカプセル内に装填されます。

2. 装填が適切か確認

プロヴォックスカプセルがボイスプロテゼに装填されたので、挿入ピンから折り曲げ道具を外してかまいません。食道フランジがカプセル内に入っていることを確認します (図15)。ボイスプロテゼがきちんと折り込まれていない場合は、新しいプロヴォックスカプセルで装填手順を繰り返す必要があります。ボイスプロテゼのストラップが、シャント孔にボイスプロテゼを挿入するための挿入ピンに固定されていることを確認します。

3. 古いボイスプロテゼを取り出し、シャント孔を整えます (セクション2.2のポイント6および7を参照)。

4. プロヴォックスカプセルをシャント孔に挿入します。

プロヴォックスカプセルが溶解し食道フランジが完全に広がるまで、ボイスプロテゼを十分に挿入した状態に保ちます。ボイスプロテゼのストラップを軽く引き、適切な位置に設置されていることを確認します。

5. ボイスプロテゼの開放

ボイスプロテゼから挿入ピンを外します。ボイスプロテゼはシャント孔に残ります。

6. 手技の完了

挿入後、下記のセクション2.5に従い手技を完了します。

*一部の国では入手できません。

2.4 組立およびプロヴォックスインサージョンシステムの再装填

プロヴォックスヴェガをシャント孔に挿入するのに一度失敗しても、プロヴォックスインサージョンシステムにボイスプロテーゼを再装填可能です。

ボイスプロテーゼの取付け

1. 気管側を下に向けボイスプロテーゼを挿入ピンの先端に載せます。
2. 取付けスロットにセーフティストラップを片側から通して、セーフティストラップを取り付けます。
3. ボイスプロテーゼが挿入ピン上の正しい位置にしっかりと取り付けられ、ピンの先端がボイスプロテーゼの青い輪の一番奥まで入っていることを確認します(図3)。

折り曲げ道具の接続

4. 折り曲げ道具の開口部に挿入ピンを通し、所定の位置でカチッと音がするまで動かします。ピンが折り曲げ道具にパチンとはまるまでピンを引きます(図16)。プロヴォックスインサージョンシステムの準備ができる状態になりました。セクション2.2に従い、引き続き準備を行います。

注意:再装填は2回が限度です。プロヴォックスヴェガボイスプロテーゼに損傷の兆しが見られる場合は、使用しないでください。

2.5 手技の完了

挿入後:

適切な装着を確認

1. 挿入ピンを回転しゆっくり引いて、ボイスプロテーゼの位置が適切であることを確認します(図17)。セーフティストラップが下側にあれば、プロテーゼの位置は完璧です。

適切に機能するかのテスト

2. プロヴォックスブラシでプロヴォックスヴェガにブラシをかけます。患者に発話を促し、患者が水を飲んでもプロテーゼから漏れないことを観察し、プロテーゼが適切に機能するかをテストします(図18)。

セーフティストラップの切断

3. ボイスプロテーゼが正しく留置されたことを確認後、気管側フランジと同じ高さの位置でセーフティストラップを切り離します(図19)。これでプロヴォックスヴェガボイスプロテーゼを使い始めることができます。

2.6 廃棄方法

使用済みの医療機器の廃棄は、必ず、地域のルールに従って行ってください。

3.重要な患者情報

3.1 一般情報

下記の場合、かならず担当臨床医に連絡するよう患者に念を押してください。

- プロテーゼ本体や周囲から漏れがある(咳や粘液の色の変化)。
- 発話が困難(以前より難儀だったり声がひずんだりする)。
- シャント孔部位や永久気管孔領域に炎症や組織の変化の徴候が見られる(痛み、赤み、熱、腫張、ブラシをかけたあとのブラシに血痕)。

下記の内容も患者に伝えてください。

- プロテーゼの交換後、痰に血痕が見られる場合があります。この現象は、シャント孔端部の肉芽増殖組織からの出血と考えられます。
- ボイスプロテーゼの漏れは、Provox Vega Plug(プロヴォックスヴェガプラグ)で一時的に止めることができます。
- 最適な声量で滑らかにはっきりと話せるよう、訓練を受けた臨床医から発話の訓練を受けるよう勧めてください。

3.2 プロテーゼのメンテナンス

プロヴォックスヴェガボイスプロテーゼを清浄するタイミングおよび方法を患者に指導します。一日に最低2回プロテーゼを清浄すると、デバイス寿命が延びます。

注意:プロテーゼの清浄には、プロヴォックスヴェガ専用の純正付属品のみを使用してください。

- 一日に2回プロヴォックスブラシでプロテーゼを清浄すると、プロテーゼから粘液や残留食物を除去することができます。
- Provox Flush(プロヴォックスフラッシュ)でプロテーゼに水を流してもプロテーゼから碎片や粘液を除去することが可能であり、デバイス寿命が延びます。
注記:プロヴォックスフラッシュは、プロテーゼの処方医が、使用方法を理解し臨床医の監視なしでも常に使用方法を守ることができると判断した患者にのみ使用します。
- 乳酸菌を含むヨーグルトやバターミルクを毎日摂取するなど、なんらかの食習慣がカンジダ菌の過剰繁殖を抑えるのに役立つと考えられます。

プロヴォックスヴェガの清浄に関する詳細は、付属品の取扱説明書をそれぞれ参照してください。

4. 추가

4.1 MRI, X선, 방사선 치료との適合性

プロヴォックスヴェガボイスプロテゼは、磁気共鳴イメージング(3テスラまで)、X線、放射線治療(70 Gyまで)との適合性がテストで実証されています。プロテゼは、検査や治療中、シャント孔に留置したままにすることができます。ただし、放射線不透過性の弁座がX線画像に写ることに留意してください。

4.2 製品の寿命

個々の生物学的条件により製品の寿命は異なり、長期間にわたって製品が正常に動作するとは限りません。素材が細菌や酵母などの影響を受けると、最終的に構造が変化します。

実際の使用状況で12ヶ月間実験した結果、細菌や酵母がなければデバイスは12ヶ月間正常な構造を保つことが分かっています。12ヶ月間を超える試験は行われていません。12ヶ月間を超える使用については、処方医師の判断を仰いでください。

4.3 抗真菌剤との適合性

非臨床の実験結果により、以下の抗真菌剤を使用した場合に、プロテゼの機能と部品にわずかだが悪影響が生じる可能性があることが示されています。ナイスタチン、フルコナゾール、ミコナゾール。

5. 報告

製品に関連して発生した重大な事故はすべて、使用者および/または患者が居住している国の製造業者および国家当局に報告されますので、ご了承ください。

한국어

Provox Vega

1. 설명 정보

1.1 적합한 사용

Provox Vega 인공성대는 후두절제술을 받은 후 음성 재활을 위한 일회용 무균 유치 인공성대입니다. 인공성대의 세정은 인공성대가 삽입된 상태에서 환자가 수행합니다.

Provox Insertion System은 Provox Vega 인공성대의 전형성 교체를 위한 일회용 무균 장치입니다. 이 교체 시술은 현지 또는 국가별 지침에 따라 의사 또는 훈련을 받은 의료 전문가가 수행합니다.

Provox Insertion System은 새로 생성된 천공에 인공성대를 삽입하는 데에는 사용할 수 없습니다.

1.2 장치 설명

일반 사항

Provox Vega는 음식물과 액체가 기관에 유입될 위험을 줄이면서 발성을 위해 TE 천공을 열린 상태로 유지하는 단방향 밸브(인공성대)입니다. Provox Vega 인공성대는 영구적인 이식물이 아니며 정기적인 교체가 필요합니다. 이 인공성대(그림 1)는 다양한 직경과 길이로 제공됩니다. 이 장치는 의료용 실리콘 고무와 불소수지 성분으로 제작됩니다.

Provox Vega 패키지

Provox Vega 패키지에 포함된 항목은 다음과 같습니다.

- Provox Vega 인공성대 1개, 일회용 Insertion System에 사전 장착됨, 무균 (그림 2)
- 인공성대에 해당하는 크기의 Provox Brush(솔) 1개, 무균 아님
- Provox Vega 임상 설명서 1개
- Provox Vega 환자 설명서 1개
- Provox Brush 사용 안내 1개

1.3 금기 사항

인공성대 재활을 이미 하고 있는 환자가 Provox Vega 인공성대를 사용하거나 교체할 때의 알려진 금기 사항은 없습니다.

1.4 경고

- TE 천공으로부터 **Provox Vega 인공성대가 이탈 또는 분출되고** 그로 인한 흡입, 흡인 또는 조직 손상이 발생할 수 있습니다. 기도에 이물질이 유입될 경우, 급성 호흡 곤란 및/또는 호흡 정지 등 여러 합병증이 발생할 수 있습니다.
- **적합한 인공성대 크기를 선택하십시오.** 너무 짝 끼면 조직 과사가 발생하고 분출될 수 있습니다.
- 조직 부종 및/또는 염증/감염의 징후가 있는 경우, 즉시 **의사와 상의하도록 환자에게 안내하십시오.**
- 인공성대나 그 주위에 누출이 발생한 경우 **의사와 상의하도록 환자에게 지시하십시오.** 누출될 경우 흡인성 폐렴을 유발할 수 있습니다.

- 후두절제 튜브 또는 기문 버튼의 삽입 및 제거 시 인공성대의 기관 플랜지에 걸리지 않고 인공성대에 압력을 가하지 않는 적합한 모양의 후두절제 튜브 또는 기문 버튼을 선택하십시오. 그렇지 않으면 심각한 조직 손상 및/또는 인공성대의 우발적 흡입이 초래될 수 있습니다.
- 유지 관리 시 해당 크기(Brush, Flush, Plug)의 정품 Provox 부속품만 사용하고 어떠한 유형의 조작도 하지 않도록 환자에게 지시하십시오.
- 재사용 및 재처리할 경우 교차 오염과 장치 손상이 발생하여 환자가 피해를 입을 수 있습니다.

1.5 주의 사항

- 출혈성 질환이 있거나 항응고제 치료를 받고 있는 환자의 경우, 인공성대의 배치 또는 교체 전에 출혈 위험이 있는지 세밀하게 진단하십시오.
- 사용 전에 패키지를 검사하십시오. 패키지가 손상되었거나 개봉된 경우 제품을 사용하지 마십시오.
- 감염 위험을 줄이기 위해 인공성대 취급 시 무균 기법을 항상 이용하십시오.

2. 사용 안내

2.1 인공성대 크기 선택

교체용 인공성대의 올바른 샤프트 직경 및 길이 선택

반드시 샤프트 직경 및 길이가 적합한 Provox Vega 인공성대를 사용해야 합니다. Provox Vega는 다양한 샤프트 직경과 길이로 제공됩니다.

- **샤프트 직경 선택**
임상의가 환자에게 적합한 인공성대의 직경을 결정해야 합니다. 선택한 직경이 이전 인공성대보다 큰 경우, 삽입할 인공성대 직경에 맞는 Provox Dilator를 사용하여 관을 확장해야 합니다. 샤프트 직경이 작은 인공성대를 삽입하는 경우, 천공이 적합한 직경에 맞게 수축되는지 관찰하고 확인하십시오.
- **샤프트 길이 선택**
올바른 길이를 선택하기 위해 현재의 인공성대를 자체 측정 장치로 사용할 수 있습니다. 이전 인공성대의 기관 플랜지와 점막 벽 사이에 공간이 너무 많으면(즉, 3 mm / ~0.12인치 이상) 더 짧은 인공성대를 사용해야 합니다. 인공성대가 너무 짧을 경우, 더 긴 인공성대를 사용해야 합니다.

2.2 준비

(그림 3-6)

인공성대 배치

1. 삽입 핀의 끝부분이 인공성대의 파란색 링 쪽에 위치한 채로 인공성대가 삽입 핀에 올바르게 위치하고 단단히 부착되어 있는지 확인합니다(그림 3).

식도 플랜지 접기

2. 삽입 핀이 폴딩 장치에 올바르게 위치하는지 확인합니다(핀이 폴딩 장치에 끼워짐).
3. 손가락 2개로 폴딩 장치를 눌러 좁힙니다(그림 4).
4. 폴딩 장치가 닫힌 상태에서 장착 튜브를 연결하고 제자리에 잠길 때까지 장착 튜브를 돌립니다(그림 5).
(캡슐 삽입에는 해당 안 됨)

장착

5. 인공성대가 장착 튜브의 링과 정렬될 때까지 삽입 핀을 앞으로 밀니다(그림 6).
(캡슐 삽입에는 해당 안 됨)

이전 인공성대 제거

6. 이가 없는 지혈검자로 현재 인공성대를 잡아 당겨 TE 천공에서 현재(이전) 인공성대를 제거합니다. 또는 의사의 재량에 따라 인공성대의 기관 플랜지를 검자로 잡아 절단할 수도 있습니다. 그런 다음 인공성대의 나머지 부분을 식도로 밀어 넣어 장관까지 통로를 만듭니다. 이 방법을 사용하기 전에 환자의 장 질환 병력을 고려해야 합니다.

천공 준비(선택 사항)

7. 천공을 확장하여 인공성대의 삽입을 준비할 수 있습니다. 이 작업은 대개 필요하지 않지만, 천공이 각지거나 딱 끼어 쉽게 접히는 경우에 이 작업을 하면 삽입이 용이해집니다.

2.3 삽입, 전행성 교체 시술

Provox Insertion System을 사용하여 Provox Vega 인공성대를 삽입하는 데는 4 가지 방법이 있습니다. 어떤 방법을 사용할지 선택하는 것은 임상의의 재량입니다.

- 2.3.1 시스템 삽입: 삽입 시스템 전체를 사용합니다.
- 2.3.2 튜브 삽입: 삽입 전에 폴딩 장치를 제거합니다.
- 2.3.3 오버슈팅 삽입: 인공성대 전체를 식도에 전개한 후 필요한 위치까지 후퇴시킵니다.
- 2.3.4 캡슐 삽입: 삽입 전에 인공성대를 Provox Capsule에 넣습니다.

2.3.1 방법 1: 시스템 삽입

1. TE 천공 진입

장착 튜브로 Provox Insertion System을 고정합니다. 장착 튜브의 끝부분을 천공에 삽입합니다. 저항이 느껴질 경우 조심해서 진행합니다. 저항이 있는 경우 확장 및/또는 윤활을 하면 삽입이 용이해질 수 있습니다.

2. 인공성대 삽입

한 손으로 장착 튜브를 흔들리지 않게 잡고, 말단부 그림 면의 화살표가 폴딩 장치의 하단 모서리와 일치할 때까지 다른 손으로 삽입 핀을 밀니다(그림 7). 그러면 인공성대의 식도 플랜지가 식도에 완전히 퍼집니다.

3. 인공성대 방출

천공에서 장착 튜브와 폴딩 장치를 함께 똑바로 당겨 빼냅니다. 인공성대가 삽입 핀에 여전히 부착된 채로 천자에 남아 있습니다.

4. 시술 끝내기

삽입이 끝났으면 아래 2.5절에 설명된 대로 시술을 끝냅니다.

2.3.2 방법 2: 튜브 삽입

인공성대를 장착 튜브 안에 밀어 넣은 후에는 시야 확보를 위해 폴딩 장치를 제거해도 됩니다.

참고: 인공성대 장착 시 식도 플랜지가 올바르게 접히도록 하기 위해 폴딩 장치가 부착된 Provox Insertion System을 반드시 사용하는 것이 중요합니다.

1. 폴딩 장치 제거

장착 튜브에서 폴딩 장치를 풀고 분리하여 폴딩 장치를 제거합니다(그림 8).

2. TE 천공 진입

장착 튜브로 Provox Insertion System을 고정합니다. 장착 튜브의 끝부분을 천공에 삽입합니다. 저항이 느껴질 경우 조심해서 진행합니다. 저항이 있는 경우, 확장 및/또는 운환을 하면 삽입이 용이해질 수 있습니다.

3. 인공성대 삽입

근위부 그림 면의 화살표가 장착 튜브와 일치할 때까지 다른 손으로 삽입 핀을 밀니다(그림 9). 그러면 인공성대의 식도 플랜지가 식도에 완전히 퍼집니다.

4. 인공성대 방출

한 손으로 장착 튜브를 잡고 다른 손으로 삽입 핀을 잡습니다. 식도 플랜지가 앞쪽 식도 벽에 닿았다고 느껴질 때까지 장착 튜브와 삽입 핀을 모두 다시 잡아당깁니다. 그런 다음 삽입 핀에서 손을 떼고 천공에서 장착 튜브를 똑바로 당겨 빼냅니다. 그러면 기관 플랜지가 방출됩니다.

참고: 기관 플랜지가 식도나 천공 안에서 퍼진 경우(의도치 않은 오버슈팅), 이가 없는 지혈검자로 기관 플랜지를 잡아 인공성대를 회전시키고 당겨 제자리에 위치시킵니다.

5. 시술 끝내기

삽입이 끝났으면 아래 2.5절에 설명된 대로 시술을 끝냅니다.

2.3.3 방법 3: 오버슈팅 삽입

가다로운 TE 천공의 경우 식도 플랜지의 완전한 전개를 위해 때로 Provox Vega 인공성대의 오버슈팅을 수행합니다.

1. 폴딩 장치 제거(선택 사항)

인공성대를 장착 튜브 안으로 밀어 넣었으면 폴딩 장치를 풀고 장착 튜브에서 분리하여 제거합니다(그림 8).

2. TE 천공 진입

장착 튜브로 Provox Insertion System을 고정합니다. 장착 튜브의 끝부분을 천공에 삽입합니다. 저항이 느껴질 경우 조심해서 진행합니다. 저항이 있는 경우, 확장 및/또는 운환을 하면 삽입이 용이해질 수 있습니다.

3. 인공성대 삽입

한 손으로 장착 튜브를 흔들리지 않게 잡고 다른 손으로 근위부 그림 면을 지날 때까지 삽입 핀을 밀니다(그림 10). 그러면 인공성대가 식도에 완전히 전개됩니다(그림 11).

폴딩 장치가 장착된 상태로 오버슈팅 삽입을 수행하는 경우, 말단부 그림 면을 지날 때까지 삽입 핀을 밀니다. 그러면 인공성대가 식도에 완전히 전개됩니다(그림 12).

4. 인공성대 방출

천공에서 장착 튜브를 똑바로 당겨 빼냅니다. 인공성대가 삽입 핀에 여전히 부착된 채로 식도에 남아 있습니다. 이가 없는 지혈검자로 기관 플랜지를 잡아 인공성대를 회전시키고 당겨 제자리에 위치시킵니다.

5. 시술 끝내기

삽입이 끝났으면 아래 2.5절에 설명된 대로 시술을 끝냅니다.

2.3.4 방법 4: 캡슐 삽입

용도

Provox Capsule은 후두절제술을 받은 환자의 기관식도 천공에 임상의가 표준 인공성대를 전방 삽입하기 위한 일회용 부속품입니다.

장치 설명

Provox Capsule은 물에 녹는 식물성 원료로 제작되며 3가지 직경의 인공성대(17, 20 및 22.5 Fr.)에 맞는 크기로 제공됩니다.

경고

- 삽입하기 전에 인공성대가 올바르게 접혀 있고 Provox Capsule에 올바르게 삽입되어 있는지 항상 확인하십시오. Provox Capsule이 너무 일찍 빠지면 흡입될 수 있습니다. 운환제는 캡슐의 부착력을 훼손시킬 수 있습니다.
- 오염이 의심되는 경우, Provox Capsule을 사용하지 마십시오.
- 패키지가 캡슐이 손상된 것으로 보이는 경우, Provox Capsule을 사용하지 마십시오.
- 기관식도 천공에 삽입한 후 인공성대가 올바르게 작동하는지 확인하십시오. 삽입한 후에는 인공성대의 사용 안내에 명시된 안전 주의사항을 항상 준수하십시오.

사전 주의사항

- Provox Capsule에 식도 플랜지를 삽입할 때 날카로운 물건을 사용하지 마십시오. 인공성대가 손상될 수 있습니다.
- 인공성대의 직경과 크기가 같거나 또는 한 사이즈 큰 Provox Capsule만 사용하십시오.

Provox Insertion System의 폴딩 장치를 사용하여 표준 Provox Vega 인공성대의 식도 플랜지를 접어 Provox Capsule*에 넣을 수 있습니다. 아래 시술에서는 장착 튜브를 사용하지 않습니다.

1. 인공성대를 Provox Capsule에 삽입

Provox Capsule의 긴 부분은 버리고 짧은 부분을 삽입하십시오. 손가락 2개로 폴딩 장치를 눌러 좁힌 상태에서 폴딩 장치의 구멍에 캡슐을 넣습니다(그림 13). 검지로 캡슐을 누른 채로 폴딩 장치를 모읍니다(그림 14). 또는 Provox TwistLock을 사용하여 폴딩 장치를 모읍니다. 삽입 핀을 앞쪽으로 확실히 밀니다. 그러면 인공성대의 식도 플랜지가 캡슐에 장착됩니다.

2. 장착 상태가 올바른지 확인

이제 인공성대가 Provox Capsule에 장착되었으므로 삽입 핀에서 폴딩 장치를 제거해도 됩니다. 식도 플랜지가 캡슐 안에 있는지 확인하십시오(그림 15). 인공성대가 올바르게 접히지 않았으면 새로운 Provox Capsule로 장착 과정을 반복해야 합니다. 인공성대의 끈이 인공성대를 천공에 삽입할 때 사용되는 삽입 핀에 고정되어 있는지 확인합니다.

3. 이전 인공성대를 제거하고 기관식도 천공을 준비합니다(2.2절 6항 및 7항 참조).

4. Provox Capsule을 천공에 삽입합니다

Provox Capsule이 옹해되고 식도 플랜지가 펼쳐질 때까지 인공성대를 완전히 삽입된 위치에 유지합니다. 인공성대 끈을 살짝 잡아당겨 올바른 위치에 있는지 확인하십시오.

5. 인공성대 방출

인공성대에서 삽입 핀을 제거합니다. 인공성대가 천공에 남아 있습니다.

6. 시술 끝내기

삽입이 끝났으면 아래 2.5절에 설명된 대로 시술을 끝냅니다.

* 일부 국가에는 제공되지 않음.

2.4 Provox Insertion System 조립 및 재장착

첫 번째 시도에서 Provox Vega를 TE 천공에 삽입하는 데 실패하더라도 인공성대를 Provox Insertion System에 재장착할 수 있습니다.

인공성대 배치

1. 기관 쪽이 아래의 삽입 핀 상단을 향하도록 하여 인공성대를 장착합니다.
2. 한쪽에서 연결 슬롯을 통과시켜 안전 끈을 연결합니다.
3. 삽입 핀의 끝부분이 인공성대의 파란색 링 쪽에 위치한 채로 인공성대가 삽입 핀에 올바르게 위치하고 단단히 부착되어 있는지 확인합니다(그림 3).

폴딩 장치 연결

4. 삽입 핀이 딸각 소리를 내며 제자리에 위치할 때까지 삽입 핀을 폴딩 장치의 구멍으로 통과시킵니다. 삽입 핀이 폴딩 장치에 끼워질 때까지 삽입 핀을 당깁니다(그림 16). 이제 Provox Insertion System을 준비할 수 있습니다. 위 2.2절에 설명된 대로 준비 작업을 계속합니다.

주의: 2회를 초과하여 재장착하지 마십시오. 손상 징후가 있는 Provox Vega 인공성대는 사용하지 마십시오.

2.5 시술 끝내기

삽입 후:

잘 맞는지 확인

1. 삽입 핀을 회전시킨 후 조심스럽게 당겨 인공성대의 위치가 올바른지 확인합니다(그림 17). 안전 끈이 아래쪽을 향하면 인공성대가 올바른 위치에 있는 것입니다.

정상 작동 여부 테스트

2. Provox Brush로 Provox Vega를 솔질합니다. 환자에게 말을 시키고 환자가 물을 마실 때 인공성대의 누출 여부를 관찰하여 인공성대가 올바르게 작동하는지 테스트합니다(그림 18).

안전 끈 절단

3. 인공성대가 올바르게 배치되었으면 안전 끈을 절단하여 기관 플랜지와 일치시킵니다(그림 19). 이제 Provox Vega 인공성대를 사용할 준비가 되었습니다.

2.6 폐기

사용한 의료 장치를 폐기할 때에는 항상 생물학적 위험 물질에 관한 의료계 관행과 국가별 요구 사항을 준수하십시오.

3. 중요 환자 정보

3.1 일반 정보

다음의 경우 임상 의에게 연락하도록 환자에게 주지시키십시오.

- 인공성대나 그 주변에 누출이 있는 경우(기침 및/또는 점액 색 변화).
- 발성이 힘들어지는 경우(말할 때 더 힘이 들거나 말소리가 더 부자연스러워짐).
- 천공 또는 기문 부위에 염증 또는 조직 변화의 징후가 있는 경우(통증, 발적, 열, 부기, 솔질 후 술에 혈흔이 남음).

또한 다음 사항을 환자에게 알리십시오.

- 인공성대 교체 후 타액에 혈흔이 보일 수 있습니다. 이는 TE 천공 가장자리의 육아 조직에서 발생한 것일 수 있습니다.
- 인공성대의 누출을 임시로 막기 위해 Provox Vega Plug를 사용할 수 있습니다.
- 최적의 음성, 능숙한 발성 및 최적의 발음 명료성을 얻으려면, 훈련을 받은 임상 의가 진행하는 발성 훈련 세션에 참가하는 것이 좋습니다.

3.2 인공성대 유지 관리

Provox Vega 인공성대의 세정 시기 및 방법을 환자에게 설명해 주십시오. 하루에 2회 이상 인공성대를 세정하면 장치 수명을 늘릴 수 있습니다.

주의: 인공성대 세정 시 Provox Vega용으로 제작된 정품 Provox 부속품만 사용하십시오.

- Provox Brush로 인공성대를 하루에 2회 솔질하면 인공성대에서 점액과 음식 찌꺼기를 제거하는 데 도움이 됩니다.
- Provox Flush로 인공성대를 세정해도 인공성대에서 찌꺼기와 점액을 제거하고 장치 수명을 늘리는 데 도움이 됩니다.
참고: Provox Flush는 장치를 처방한 임상의가 사용 안내를 숙지하고 임상의의 감독 없이 항상 이를 준수할 수 있다고 판단한 환자만이 사용할 수 있습니다.
- 유산균이 함유된 요구르트나 버터 우유 등을 매일 섭취하면 칸디다의 과도한 증식을 억제하는 데 유용한 것으로 알려져 있습니다.

Provox Vega 세정 방법에 대한 자세한 내용은 각 부속품의 사용 안내를 참조하십시오.

4. 추가 정보

4.1 MRI, X선 및 방사선 요법과의 호환성

테스트 결과, Provox Vega 인공성대는 자기공명영상(MRI)(최대 3Tesla로 테스트), X선 및 방사선 요법(최대 70Gy로 테스트)과 호환되는 것으로 확인되었습니다. 검사/치료 중에 인공성대를 TE 천공에 그대로 두어도 무방합니다. 방사선 비투과 밸브 시트는 X선 촬영에 나타납니다.

4.2 장치 수명

장치 수명은 개별 생물학적 환경에 따라 달라지므로 장치의 장기적인 무결성을 예측하는 것은 불가능합니다. 장치의 재료 성분은 세균, 이스트 등의 영향을 받으며, 장치의 구조적 무결성은 시간이 흐르면서 저하됩니다.

12개월 동안 모의 사용을 거친 실험실 테스트 결과, 세균과 이스트가 없는 상태에서 이 장치는 12개월 동안 구조적 무결성을 유지했습니다. 이 장치는 12개월을 초과한 기간에 대해서는 테스트되지 않았습니다. 이 한계를 벗어나 사용하는 것은 처방자의 단독 재량에 의한 것입니다.

4.3 항진균제와의 호환성

실험실 테스트 결과, 다음 항진균제 사용 시 Provox Vega 인공성대 및 구성품에 약간의 부정적인 영향만을 미치는 것으로 나타났습니다: 니스타틴(Nystatin), 플루코나졸(Fluconazole), 미코나졸(Miconazol).

5. 보고

장치와 관련하여 발생한 심각한 사고는 제조업체와 사용자 및/또는 환자가거주하는 국가의 국가기관에 신고해야 합니다.

繁體中文

Provox Vega

1. 說明資訊

1.1 預定用途

Provox Vega 人工發聲瓣為滅菌一次性留置式裝置，專用於喉頭移除手術（喉頭切除術）後的聲音復健。患者進行人工發聲瓣清潔時，該裝置須保持原來位置。

Provox Insertion System 為滅菌式一次性裝置，專用於 Provox Vega 人工發聲瓣的順行性更換。必須由醫生或受過訓練的醫療專業人員按當地或國家準則進行此更換手術。

Provox Insertion System 不可用於在新近形成的穿刺口中插入人工發聲瓣。

1.2 裝置說明

一般

Provox Vega 為單向閘門（人工發聲瓣），可使氣管食道穿刺口保持開啟以進行發聲，同時降低液體和食物進入氣管的風險。Provox Vega 人工發聲瓣並非永久性植入物，需要定期更換。我們提供不同直徑與多種長度的人工發聲瓣（圖 1）。裝置由醫用級矽膠和氟塑膠製成。

Provox Vega 套裝

Provox Vega 套裝包含下列項目：

- 1 個 Provox Vega 人工發聲瓣（已於一次性 Insertion System 中預先組裝）；滅菌式（圖 2）
- 1 個相應人工發聲瓣尺寸的 Provox Brush；非滅菌式
- 1 本《Provox Vega 醫生手冊》

- 1 本《Provox Vega 患者手冊》
- 1 本《Provox Brush 使用說明》

1.3 禁忌症

目前在透過人工發聲瓣進行聲音復健的患者中，並未出現任何有關 Provox Vega 人工發聲瓣的已知使用或更換禁忌症。

1.4 警告

- **Provox Vega 人工發聲瓣若從氣管食道穿孔口中移位或受擠壓**，其後可能會造成被吞下、吸入或組織損傷。氣管中有異物可能會導致嚴重的併發症，例如急性呼吸窘迫和/或呼吸驟停。
- 請選擇尺寸適合的人工發聲瓣。置入緊繃人工發聲瓣可能會導致組織壞死與裝置擠出。
- 若出現任何組織腫脹和/或發炎/感染的徵象，請指示患者立即諮詢醫生。
- 若人工發聲瓣本身或人工發聲瓣周圍漏氣，請指示患者立即諮詢醫生。漏氣可能會導致吸入性肺炎。
- 若使用喉切除術套管或造口鈕，請選擇合適尺寸，以避免在插入和移除期間對人工發聲瓣施加壓力或勾住其氣管固定邊。否則可能會導致嚴重組織損傷和/或意外吞下人工發聲瓣。
- 指示患者，只能使用相應尺寸的原廠 Provox 配件 (Brush、Flush、Plug) 來進行保養，避免所有其他類型的操作。
- 重複使用和重新處理可能會導致裝置的交叉污染和損壞，這可能對患者造成傷害。

1.5 注意事項

- 在置入或更換人工發聲瓣之前，請對患有出血性疾病或正在接受抗凝劑治療的患者進行審慎評估，確認是否有滲血或出血風險。
- 使用前請檢查套裝內容。如果套裝損壞或曾遭到開啟，請勿使用本產品。
- 處理人工發聲瓣時一律使用無菌技術，以降低感染風險。

2. 使用說明

2.1 選擇人工發聲瓣的尺寸

選擇更換人工發聲瓣的正確軸桿直徑和長度

確認使用正確軸桿直徑和長度的 Provox Vega 人工發聲瓣。Provox Vega 提供不同軸桿直徑與多種長度。

- **選擇軸桿直徑**
醫生應判斷適合患者的正確人工發聲瓣直徑。
如果所選擇的直徑大於先前的人工發聲瓣，則必須使用適合插入之人工發聲瓣直徑的 Provox Dilator 來擴大穿孔口。
如果插入較小軸桿直徑的人工發聲瓣，請觀察並確保將穿孔口縮小至合適直徑。
- **選擇軸桿長度**
若要選擇正確的長度，您可能需要使用當前的人工發聲瓣作為其本身的度量裝置。
如果舊人工發聲瓣的氣管固定邊和黏膜壁之間存在過大 (即 3 毫米/約 0.12 英寸或以上) 的空間，則應使用更短的人工發聲瓣。如果人工發聲瓣置入過緊，則應使用更長的人工發聲瓣。

2.2 準備

(圖 3-6)

定位人工發聲瓣

1. 確認人工發聲瓣正確定位於置入桿上並穩固連接，且置入桿尖端完全定位於人工發聲瓣的藍色環中 (圖 3)。

摺疊食道固定邊

2. 確認置入桿已正確定位於摺疊工具 (置入桿應卡扣至摺疊工具中)。
3. 使用兩指同時擠壓摺疊工具 (圖 4)。
4. 連接置入管同時保持摺疊工具閉合，並扭轉置入管直到其卡至定位 (圖 5)。
(膠囊插入不適用)

置入

5. 向前推動置入桿直到人工發聲瓣與置入管上的可見環對齊 (圖 6)。(膠囊插入不適用)

移除舊的人工發聲瓣

6. 使用無鋸齒止血鉗，將當前 (舊) 的人工發聲瓣從氣管食道穿孔口拉出移除。或者，由醫生酌情決定，以鉗具夾住人工發聲瓣的氣管固定邊並剪斷。將剩餘部分的人工發聲瓣推入食道中，以通過腸道。使用此方法前，應將患者的任何腸臟疾病病史列入考量。

準備穿孔口 (選擇性)

7. 可能須擴大穿孔口，以備插入人工發聲瓣。此方法通常為非必要之步驟，但可協助插入患者容易塌陷之有角度或緊繃的穿孔口。

2.3 插入、順行性更換手術

以下提供四種可用於透過 Provox Insertion System 插入 Provox Vega 人工發聲瓣的方式。插入方式須透過醫生審慎選擇。

2.3.1 系統插入：會用到整個插入系統。

2.3.2 置入管插入：插入前須移除摺疊工具。

2.3.3 過度超出插入：整個人工發聲瓣會在食道內展開，並回縮至預定位置。

2.3.4 膠囊插入：插入前，會將人工發聲瓣置入 Provox Capsule。

2.3.1 方式 1：系統插入

1. 進入氣管食道穿孔口

握住 Provox Insertion System 的置入管。使用置入管尖端進入穿孔口。如果遇到阻力，請謹慎推進。如發生阻力問題，請擴大穿孔口和/或塗抹潤滑劑，即可輕鬆插入。

2. 插入人工發聲瓣

一手牢固地握住置入管，另一手推動置入桿直到遠側握把面的箭頭與摺疊工具的底部邊緣齊平（圖 7）。至此，人工發聲瓣的食道固定邊即可完全在食道內展開。

3. 釋放人工發聲瓣

直接將置入管和摺疊工具同時拉出穿孔口。人工發聲瓣會留在穿孔口中，且與置入桿穩固連接。

4. 完成手術

完成插入後，請依照以下第 2.5 節之說明完成手術。

2.3.2 方式 2：置入管插入

若要提升可見度，則可在人工發聲瓣推入置入管後，將摺疊工具移除。

備註：置入人工發聲瓣時請務必一律使用連接摺疊工具的 Provox Insertion System，以確保食道固定邊正確摺疊。

1. 移除摺疊工具

透過鬆開和拔除方式，將摺疊工具從置入管移除（圖 8）。

2. 進入氣管食道穿孔口

握住 Provox Insertion System 的置入管。使用置入管尖端進入穿孔口。如果遇到阻力，請謹慎推進。如發生阻力問題，請擴大穿孔口和/或塗抹潤滑劑，即可輕鬆插入。

3. 插入人工發聲瓣

另一手推動置入桿，直到近側握把面的箭頭與置入管齊平（圖 9）。至此，人工發聲瓣的食道固定邊即可完全在食道內展開。

4. 釋放人工發聲瓣

一手握住置入管，另一手握住置入桿。同時向後拉動置入管和置入桿，直到您感覺食道固定邊碰觸到前食道壁。接著，鬆開置入桿並將置入管直接拉出穿孔口。如此即可釋放氣管固定邊。

備註：如果氣管固定邊在食道或穿孔口內展開（無預定使用「過度超出」技術），使用無鋸齒止血鉗夾住氣管固定邊，並拉動/轉動人工發聲瓣使其卡至定位。

5. 完成手術

完成插入後，請依照以下第 2.5 節之說明完成手術

2.3.3 方式 3：過度超出插入

「過度超出」插入 Provox Vega 人工發聲瓣為偶爾採取的方式，可在難以操作的氣管食道穿孔口中確保食道固定邊完全展開。

1. 移除摺疊工具（選擇性）

將人工發聲瓣推入置入管後，透過鬆開和拔除方式將摺疊工具從置入管移除（圖 8）。

2. 進入氣管食道穿孔口

握住 Provox Insertion System 的置入管。使用置入管尖端進入穿孔口。如果遇到阻力，請謹慎推進。如發生阻力問題，請擴大穿孔口和/或塗抹潤滑劑，即可輕鬆插入。

3. 插入人工發聲瓣

一手牢固地握住置入管，另一手推動置入桿，直到超出近側握把面（圖 10）。至此人工發聲瓣即可在食道內完全展開（圖 11）。

如果您使用保持組裝的摺疊工具進行「過度超出」插入，請將置入桿推出遠側握把面。至此人工發聲瓣即可在食道內完全展開（圖 12）。

4. 釋放人工發聲瓣

直接將置入管拉出穿孔口。人工發聲瓣會留在食道中，且與置入桿穩固連接。使用無鋸齒止血鉗夾住氣管固定邊，並拉動/轉動人工發聲瓣使其卡至定位。

5. 完成手術

完成插入後，請依照以下第 2.5 節之說明完成手術。

2.3.4 方式 4：膠囊置入

預定用途

Provox Capsule 為一次性配件，供醫生由全喉切除病人的氣管食道穿孔口順行置入標準人工發聲瓣。

裝置說明

Provox Capsule 由源自於植物的水溶性材料製成，且可提供適合三種不同直徑之人工發聲瓣的尺寸：17、20 和 22.5 Fr。

警告

- 請務必確保人工發聲瓣已正確摺疊，且在順行置入前已正確插入 Provox Capsule。如 Provox Capsule 提早脫落則可能會被吸入。請注意，潤滑劑會降低膠囊的附著力。
- 如疑有污染，請勿使用 Provox Capsule。
- 如包裝或膠囊出現損壞情況，請勿使用 Provox Capsule。
- 請確保人工發聲瓣由氣管食道穿孔口插入後運作正常。請務必遵循使用說明所述關於人工發聲瓣插入後的安全注意事項。

注意事項

- 請勿使用尖銳物品將食道固定邊插入 Provox Capsule，否則可能損害人工發聲瓣。
- 僅可使用與人工發聲瓣相同尺寸或直徑大一個尺寸的 Provox Capsule。

Provox Insertion System 的摺疊工具，可用於將標準 Provox Vega 人工發聲瓣的食道固定邊摺入 Provox Capsule[®]。此手術當中不會用到置入管。

1. 將人工發聲瓣插入 Provox Capsule

棄置 Provox Capsule 長的那部分，然後以短的部分插入。使用兩指同時擠壓摺疊工具，並將膠囊置於摺疊工具的開口（圖 13）。保持摺疊工具合併，同時使用食指向下按壓膠囊（圖 14）。或者，使用 Provox TwistLock 保持摺疊工具合併。向前穩固推動置入桿，即可將人工發聲瓣的食道固定邊置入膠囊中。

2. 檢查是否已正確置入

人工發聲瓣目前已置入 Provox Capsule 中，而摺疊工具可從置入桿移除。確認食道固定邊位於膠囊內（圖 15）。如果人工發聲瓣未正確摺疊，則應使用新的 Provox Capsule 重複進行置入程序。請確保人工發聲瓣的安全帶已固定於置入器桿，該桿是用於將人工發聲瓣插入穿孔口中。

3. 移除人工發聲瓣並準備氣管食道穿孔口（請參閱第 2.2 節第 6 和 7 點）。

4. 將 Provox Capsule 插入穿孔口

將人工發聲瓣維持在完全插入的位置，直到 Provox Capsule 溶解且食道固定邊完全展開為止。輕拉人工發聲瓣的安全帶以確認其定位正確。

5. 釋放人工發聲瓣

將置入器桿從人工發聲瓣移除。人工發聲瓣會留在穿孔口中。

6. 完成手術

完成插入後，請依照以下第 2.5 節之說明完成手術。

* 不適用於所有國家/地區。

2.4 組裝及重新置入 Provox Insertion System

如果首次嘗試將 Provox Vega 插入氣管食道穿孔口失敗，可以將人工發聲瓣重新置入 Provox Insertion System。

定位人工發聲瓣

1. 安裝人工發聲瓣，將氣管側朝下面對置入桿頂端。
2. 將安全帶穿入兩側連接槽進行連接。
3. 確認人工發聲瓣正確定位於置入桿上並穩固連接，且置入桿尖端完全定位於人工發聲瓣的藍色環中（圖 3）。

連接摺疊工具

4. 將置入桿導入摺疊工具的開口直到其卡至定位。拉動置入桿直到其卡扣至摺疊工具中（圖 16）。Provox Insertion System 目前已準備就緒。依照以上第 2.2 節的說明繼續準備。

注意：重新置入次數請勿超過兩次。如果 Provox Vega 人工發聲瓣出現任何損壞的徵象，請勿使用。

2.5 完成手術

插入後：

確認正確置入

1. 轉動並輕輕拉動置入桿，確認人工發聲瓣正確定位（圖 17）。若安全帶朝向下方，即人工發聲瓣位於理想位置。

測試功能正確運作

2. 使用 Provox Brush 塗刷 Provox Vega。要求患者說話，並觀察確認其喝水時人工發聲瓣不會發生洩漏情形，藉以測試該裝置之功能是否正確運作（圖 18）。

剪斷安全帶

3. 確認人工發聲瓣正確置入後，剪斷安全帶，確認該裝置與氣管固定邊齊平（圖 19）。Provox Vega 人工發聲瓣現已可以使用了。

2.6 丟棄

丟棄使用過的醫療裝置時，請遵照生物危害相關醫療實踐與國家規範。

3. 重要患者資訊

3.1 一般資訊

如發生以下情形，確認患者瞭解應與醫生聯絡：

- 人工發聲瓣中間或周圍漏氣（引起咳嗽和/或黏液顏色改變）。
- 說話變得困難（需要更用力/或聲音聽起來更緊繃）。
- 穿孔部位或造口區域出現炎症或組織變化等任何徵象（疼痛、發紅、發熱、腫脹、塗刷後刷毛有血跡）。

另外，告知患者以下情形：

- 更換人工發聲瓣後，痰液中可能會出現血跡。這可能是因為氣管食道穿孔口邊緣出現顆粒化組織所引起。
- Provox Vega Plug 可用於暫時阻擋人工發聲瓣出現漏氣問題。
- 建議患者接受經訓練之醫生的「說話訓練課程」，使其能夠發出理想聲音、順暢說話，並建立理想的言語辨識度。

3.2 人工發聲瓣保養

指示患者清潔 Provox Vega 人工發聲瓣的時間與方式。每天至少清潔人工發聲瓣兩次，可幫助延長裝置壽命。

注意：清潔人工發聲瓣時，只限使用適合與 Provox Vega 搭配使用的 Provox 原廠配件。

- 每天使用 Provox Brush 清潔人工發聲瓣兩次，可幫助去除該裝置上的黏液和食物殘渣。
- 使用 Provox Flush 沖洗人工發聲瓣也可幫助清潔該裝置上的碎屑和黏液，並延長其壽命。

備註：Provox Flush 只限用於在無醫生監督下表達瞭解且能持續遵循使用說明的患者（需曾接受開立裝置處方的醫生評估）。

- 部分飲食方式（例如每日攝取含有乳酸桿菌的優格或乳酪）被認為可有效防止念珠菌屬過度增生。

有關如何清潔 Provox Vega 的詳細資訊，請參閱各配件的說明。

4. 其他資訊

4.1 與核磁共振成像、X 光與放射治療的相容性

Provox Vega 人工發聲瓣經測試發現可相容於核磁共振成像（經最高 3 特士拉單位測試）、X 光和放射治療（經最高 70 戈雷單位測試）。人工發聲瓣在檢驗/治療階段期間可留置於氣管食道穿孔口內。請注意，不透射線閥座會顯示於 X 光之下。

4.2 裝置使用壽命

裝置的使用壽命因不同的個體生物環境而異，因此無法預測本裝置在經過較長時間使用後的完整性。本裝置的材料會受到細菌和酵母菌等的影響，其結構完整性最終會受到破壞。

經實驗室 12 個月的模擬使用測試結果顯示，在無細菌和酵母菌的環境中，本裝置可在此期間維持其結構完整性。該裝置使用測試時間未超過 12 個月。超過此期限的使用由處方者酌情決定。

4.3 與抗真菌藥物的相容性

實驗室測試顯示，使用以下抗真菌藥物對 Provox Vega 人工發聲瓣及組件的功能產生的不良影響極小：Nystatin、Fluconazole 和 Miconazol。

5. 回報

請注意，與裝置相關的任何嚴重事件均應回報給使用者和/患者所在國家/地區的製造商和政府當局。

2.5 השלם את ההליך

לאחר ההכנסה:

ודא התאמה נכונה

1. ודא מיקום נכון של תותב הדיבור על ידי סיבובו ומשיכה עדינה בפין ההכנסה (איור 17). התותב נמצא במיקום אידיאלי כאשר רצועת הביטחון מצביעה כלפי מטה.

בחן ביצוע נכון

2. הברש את Provox Vega עם מברשת Provox Brush. כדי לבחון את ביצועי התותב, בקש מהמטופל לדבר ובדוק שהתותב לא דולף בזמן שהמטופל שותה מים (איור 18).

חתוך את רצועת הביטחון

3. לאחר שווייאת שנתוב הדיבור ממוקם כראוי, חתוך את רצועת הביטחון כך שהיא נמצאת ברצף עם עוגן קנה הנשימה (איור 19). תותב הדיבור Provox Vega מוכן כעת לשימוש.

2.6 סילוק

יש להקפיד לפעול בהתאם לפרקטיקה הרפואית המקובלת ולדרישות הנהוגות במדינה בנוגע לגורמי סיכון ביולוגי בעת סילוקו של התקן רפואי משומש.

3. מידע חשוב למטופל

3.1 מידע כללי

יש לוודא שהמטופל מבין כי עליו לפנות לרופא שלו אם:

- קיימת דליפה דרך או מסביב לתותב (שיעול ו/או שינוי בצבע הריר).
- קושי בדיבור (מאמץ גדול יותר ו/או קול שנשמע מתוח יותר).
- קיימים סימנים לדלקת או שינויים ברקמה באזור החתך או אזור הסטומה (כאב, אדמומיות, חום, נפיחות, שאריות דם על המברשת לאחר הברשה).

כמו כן, יש להביא לידיעת המטופל כי:

- לאחר החלפת התותב ייתכן ויימצאו שאריות דם בליחה. זה עלול להגיע מרקמת גרנולציה בקצות החתך בין קנה הנשימה לוושט.
- ניתן להשתמש ב-Provox Vega Plug על מנת לעצור באופן זמני דליפה דרך תותב הדיבור.
- רצוי לערוך מפגשי אימון דיבור עם רופא מוסמך על מנת להגיע לצליל קול אופטימלי, דיבור שוטף ומובנות אופטימלית.

3.2 תחזוקת התותב

הורה למטופל מתי ואיך לנקות את תותב ה-Provox Vega שלו/ה. ניקוי התותב לפחות פעמיים ביום יכול לעזור להאריך את חיי המכשיר.

זהירות: בעת ניקוי התותב יש להשתמש אך ורק באביזרי Provox מקוריים שמיועדים לשימוש עם מערכת Provox Vega.

- הברשת התותב עם מברשת Provox Brush פעמיים ביום תעזור להסיר ריר ו שאריות אוכל מהתותב.
- שטיפת התותב עם התקן השטיפה Provox Flush יכולה לעזור לנקות לכלוך וריר מהתותב, אשר יכולים להאריך את חיי המכשיר.
- **הערה:** התקן השטיפה Provox Flush מיועד לשימוש רק על ידי מטופלים אשר הראו יכולת להבין ולעקוב בעקביות אחר הוראות השימוש ללא פיקוח הרופא, נתון להערכת הרופא שרושם להם את המכשיר.
- אמצעים תזונתיים מסוימים, כגון צריכה יומית של יוגורט או רוויון המכילים חיידקי לקטובצילוס, נחשבים כמסייעים למניעת צמיחת-יתר של קנדידה.

למידע מפורט על אופן הניקוי של ה-Provox Vega, עיין בהוראות של כל אביזר.

4. מידע נוסף

4.1 תאימות לדימות בתהודה מגנטית (MRI), צילומי רנטגן

(X-ray) וטיפול קרינתי

תותבי הדיבור Provox Vega נבדקו ונמצאו מתאימים להדמיית תהודה מגנטית (נבחן עד 3 טסלה), רנטגן והקרנות (נבחנו עד 70 גריי). ניתן להשאיר את התותב בתוך החתך בין קנה הנשימה לוושט בזמן הבדיקה/הטיפול. שים לב שתושב הסתום האטום לקרינה מופיע בצילומי רנטגן.

4.2 אורך חיי ההתקן

משך החיים של המכשיר משתנה בהתאם לנסיבות הביולוגיות הפרטניות, ואין אפשרות לחזות את שלמותו של המכשיר על פני פרק זמן ארוך יותר. החומר שממנו עשוי המכשיר יושפע, לדוגמה, מחיידקים ושמרים, והשלמות המבנית של המכשיר תיפגע בסופו של דבר.

בדיקות מעבדה של שימוש מדומה לתקופת מבחן של 12 חודשים מראים שבהיעדר בקטריות או פטריות, המכשיר ישמור על שלמות מבנית במשך הזמן הזה. המכשיר לא נבדק לשימוש מעל 12 חודשים. השימוש מעבר למגבלה זו הוא לפי שיקול דעתו הבלעדי של הרופא המורה על הטיפול.

4.3 תאימות עם תרופות נגד פטריות

בבדיקות מעבדה התגלתה השפעה שלילית מזערית בלבד על התפקוד של תותב הדיבור Provox Vega ושל הרכיבים השונים בעקבות שימוש בתרופות נגד פטריות הבאות: Nystatin (ניסטטין), Fluconazole (פלוקונאזול), Mikonazol (מיקונאזול).

5. חובת דיווח

לתשומת לבך, כל תקרית חמורה שתתרחש בהקשר להתקן תדווח ליצרן ולרשות הלאומית במדינת המגורים של המשתמש ו/או המטופל

1. **הסר את כלי הקיפול (אופציונלי)**
לאחר שהתותב נדחף לתוך צינור הטעינה, הסר את כלי הקיפול על ידי הסרת הנעילה וניתוקו מצינור הטעינה (איור 8).
2. **היכנס לחתך בין קנה הנשימה לוושט**
החזק את Provox Insertion System בצינור הטעינה. היכנס לתוך החתך עם קצה צינור הטעינה. המשך בזהירות אם אתה נתקל בהתנגדות. אם קיימת התנגדות, הרחבה ו/או סיכוך יכולים להקל על ההכנסה.
3. **הכנס את תותב הדיבור**
החזק את צינור ההכנסה בצורה יציבה עם יד אחת ודחוף את פין ההכנסה עם היד השנייה עד מעבר למשטח האחיזה הפרוקסימלי (איור 10). בשלב זה, תותב הדיבור פרוס בצורה מלאה בוושט (איור 11).
4. **שחרר את תותב הדיבור**
אם מתבצעת הכנסת יתר עם כלי הקיפול מורכב, דחוף את פין ההכנסה מעבר למשטח האחיזה הדיסטלי. בשלב זה תותב הדיבור פרוס במלואה בוושט (איור 12).
5. **השלם את ההליך**
לאחר ההכנסה, השלם את ההליך כמתואר מטה בסעיף 2.5.

2.3.4 שיטה 4: הכנסת קפסולה

שימוש מיועד

Provox Capsule היא אביזר לשימוש חד-פעמי להשתלה בכיוון אנטרוגרדי של תותב דיבור סטנדרטי על ידי רופא לתוך הנקב הקני-ושוטי של מטופל שעבר כריתת גרון מלאה.

תיאור ההתקן

הקפסולות מסוג Provox Capsule עשויות מחומר מסיס במים ממקור צמחי, וקיימים גדלים שמתאימים לשלושה קטרים שונים של תותבי דיבור, 17, 20 ו-22.5 Fr.

אזהרות

- וודא תמיד כי תותב הדיבור מקופל היטב ושהוא מוחדר בצורה נכונה לתוך ה-Provox Capsule לפני ההשתלה. אם ה-Provox Capsule מתנתקת בטרם עת יתכן שהיא תישאף. שים לב כי חומרי סיכה עלולים להפריע לחיבורה של הקפסולה.
 - אל תשתמש ב-Provox Capsule אם קיים חשש לזיהום.
 - אל תשתמש בקפסולות מסוג Provox Capsule אם האריזה או הקפסולות נראות פגומות.
 - וודא כי תותבת הדיבור פונקציונלית לאחר השתלתה בתוך הניקוב קנה-ושוטי. תמיד הקפד על אמצעי הזהירות המפורטים בהוראות השימוש של תותבת הדיבור לאחר ההשתלה.
- ##### אמצעי זהירות
- אל תשתמש בפריטים חדים כדי להשתיל את האוגן הושוטי לתוך ה-Provox Capsule מכיוון שזה עלול לפגוע בתותב הדיבור.
 - השתמש רק ב-Provox Capsule בעלת אותה מידה או מידה אחת יותר גדולה מקוטרו של תותבת הדיבור.

ניתן להשתמש בכלי הקיפול של Provox Insertion System לקיפול אוגן הוושט של תותב דיבור Provox Vega סטנדרטי לתוך Provox Capsule. בהליך זה, לא משתמשים בצינור הטעינה.

1. הכנס את התותב לתוך Provox Capsule

השלך את החלק הארוך של ה-Provox Capsule והשתמש בחלק הקצר להשתלה. לחץ את כלי הקיפול עם שתי אצבעות ומקם את הקפסולה בפתח של כלי הקיפול (איור 13). שמור על כלי הקיפול מחובר, בזמן החזקת הקפסולה למטה עם האצבע המורה (איור 14). לחלופין, השתמש ב-Provox TwistLock כדי ללחוץ על כלי הקיפול. דחוף את פין ההכנסה חזק קדימה, זה יטעין את אוגן הוושט של תותב הדיבור לתוך הקפסולה.

2. בדוק טעינה נכונה

תותב הדיבור כעת מוטען לתוך Provox Capsule, וניתן להסיר את כלי הקיפול מפין ההכנסה. ודא כי אוגן הוושט נמצא בתוך הקפסולה (איור 15). אם תותב הדיבור לא מקופל כראוי, יש לחזור על תהליך הטעינה עם Provox Capsule חדשה. וודא כי הרצועה של תותבת הדיבור צמודה למקל ההחדרה המיועד להשתלת התותבת לתוך הניקוב קנה-ושוטי.

3. הסר את תותב הדיבור הישן והכן את הנקב הקני-ושוטי (ראו סעיף 2.2 נקודות 6 ו-7)

4. השתל את הקפסולה Provox Capsule אל תוך הנקב

אחוז בתותב הדיבור המוחדר עד שהקפסולה Provox Capsule תימס והאוגן הושוטי יפתח בצורה מלאה. משוך בזהירות את הרצועה של תותבת הדיבור כדי לוודא שהיא במיקום הנכון.

5. שחרר את תותב הדיבור

הסר את פין ההכנסה מתותב הדיבור. תותב הדיבור יהיה מונח בתוך הנקב.

6. השלם את ההליך

לאחר ההכנסה, השלם את ההליך כמתואר מטה בסעיף 2.5.

* לא זמין בכל המדינות.

2.4 הרכבה וטעינה מחדש של Provox Insertion System

אם ניסיון ההכנסה הראשון של Provox Vega לתוך החתך בין קנה הנשימה לוושט לא הצליח, ניתן לטעון מחדש את תותב הדיבור לתוך Provox Insertion System.

מיקום תותב הדיבור

1. הרכב את תותב הדיבור עם הצד של קנה הנשימה כלפיי מטה על גבי פין ההכנסה.
2. חבר את רצועת הביטחון על ידי הובלתה דרך חריץ החיבור משני הצדדים.
3. ודא כי תותב הדיבור ממוקם כהלכה על פין ההכנסה, מחובר היטב ושקצה הפין ממוקם עד הסוף בתוך הטבעת הכחולה של תותב הדיבור (איור 3).

חבר את כלי הקיפול

4. הובל את פין ההחדרה דרך הפתח בכלי הקיפול עד שהוא נכנס למקום בנקישה. משוך את הפין עד שהפין נכנס לתוך כלי הקיפול (איור 16). Provox Insertion System כעת מוכנה להכנות. המשך בהכנות כמתואר מעלה בסעיף 2.2.

זהירות: אין להטעין יותר מפעמיים. אם קיים כל סימן לנזק על תותב הדיבור Provox Vega, אל תשתמש בתותב הדיבור.

2.2 הכנה

(איורים 3-6)

מיקום תותב הדיבור

1. ודא כי תותב הדיבור ממוקם כהלכה על פין ההכנסה, מחובר היטב, ושקצה הפין מגיע עד הסוף בתוך הטבעת הכחולה של תותב הדיבור (איור 3).

קפל את עוגן הוושט

2. ודא כי פין ההכנסה ממוקם בצורה נכונה עם כלי הקיפול (הפין צריך להיות נעול בתוך כלי הקיפול).
 3. לחץ את כלי הקיפול עם שתי אצבעות (איור 4).
 4. חבר את צינור הטעינה בזמן שאתה שומר על כלי הקיפול סגור וסובב את צינור הטעינה עד שהוא ננעל במקום (איור 5).
- (לא רלוונטי להכנסת קפסולה)

טעינה

5. דחוף את פין ההכנסה קדימה עד שתותב הדיבור מיושר עם הטבעת הנראית לעין על צינור הטעינה (איור 6). (לא רלוונטי להכנסת קפסולה)

הסר את תותב הדיבור הישן

6. הסר את התותב הנוכחי (הישן) מהחתך בין קנה הנשימה לוושט על ידי משיכתו החוצה עם המוסטט לא משונן. לחלופין, לשיקול דעתו של הרופא, ניתן לתפוס את עוגן קנה הנשימה של התותב עם מלקחיים ואז לחתוך אותו. לאחר מכן, דוחפים את שאר התותב לתוך הוושט למעבר דרך מעיים. יש לקחת בחשבון את ההיסטוריה של מחלות מעיים של המטופל לפני השימוש בשיטה זו.

הכן את החתך (אופציונלי)

7. ניתן להרחיב את החתך על מנת להכין אותו להכנסת תותב הדיבור. זה בדרך כלל אינו הכרחי אבל יכול להקל על ההכנסה במטופלים עם חתכים בזווית או חתכים צרים אשר עלולים לקרוס בקלות.

2.3 הכנסה, הליך החלפה אנטרורדי

- ניתן להשתמש בארבע שיטות להכנסת תותב הדיבור Provox Vega עם Provox Insertion System. בחירת השיטה היא לשיקול דעתו של הרופא.
- 2.3.1 הכנסת המערכת: נעשה שימוש בכל מערכת ההכנסה.
 - 2.3.2 הכנסת הצינור: מסירים את כלי הקיפול לפני ההכנסה.
 - 2.3.3 הכנסת יתר: כל תותב הדיבור נפרס בוושט ואז מוחזר למקום המיועד.
 - 2.3.4 הכנסת קפסולה: תותב הדיבור מונסן לתוך Provox Capsule לפני ההכנסה.

2.3.1 שיטה 1: הכנסת מערכת

1. היכנס לחתך בין קנה הנשימה לוושט
החזק את Provox Insertion System בצינור הטעינה. היכנס לתוך החתך עם קצה צינור הטעינה. המשך בהירות אם אתה נתקל בהתנגדות. אם קיימת התנגדות, הרחבה ו/או סינוך יכולים להקל על ההכנסה.

2. הכנס את תותב הדיבור

2. החזק את צינור הטעינה באופן יציב עם יד אחת ודחף את פין ההכנסה עם היד השנייה עד שהחצים במאחז הדיסטלי ממוקמים ברצף עם הקצה התחתון של כלי הקיפול (איור 7). בשלב זה, עוגן הוושט של תותב הדיבור נמצא במצב לא מקופל בוושט.

3. שחרר את תותב הדיבור

3. משוך את צינור הטעינה וכלי הקיפול ביחד ישירות מתוך החתך. תותב הדיבור נשאר בתוך החתך מחובר היטב לפין ההכנסה.

4. השלם את ההליך

4. לאחר ההכנסה, השלם את ההליך כמתואר מטה בסעיף 2.5.

2.3.2 שיטה 2: הכנסת הצינור

- על מנת להגביר את הנראות, ניתן להוציא את כלי הקיפול ברגע שהתותב הוכנס לתוך צינור הטעינה. הערה: חשוב להשתמש תמיד ב-Provox Insertion System עם כלי ההכנסה המצורף כאשר באים להטעין את התותב כדי לוודא קיפול נכון של עוגן הוושט.

1. הסר את כלי הקיפול

1. הסר את כלי הקיפול על ידי הסרת הנעילה וניתוקו מצינור הטעינה (איור 8)

2. היכנס לחתך בין קנה הנשימה לוושט

2. החזק את Provox Insertion System בצינור הטעינה. היכנס לתוך החתך עם קצה צינור הטעינה. המשך בהירות אם אתה נתקל בהתנגדות. אם קיימת התנגדות, הרחבה ו/או סינוך יכולים להקל על ההכנסה.

3. הכנס את תותב הדיבור

3. דחף את הפין ביד השנייה עד שהחצים במאחז המשטח הפרוקסימלי נמצאים ברצף עם צינור הטעינה (איור 9). בשלב זה, עוגן הוושט של תותב הדיבור נמצא במצב לא מקופל בוושט.

4. שחרר את תותב הדיבור

4. משוך את צינור הטעינה ביד השנייה. משוך את צינור הטעינה ואת פין ההכנסה חזרה עד שאתה מרגיש שאוגן הוושט הגיע לדופן הוושט הקדמית. ברגע זה, עזוב את פין ההכנסה ומשוך את צינור הטעינה מתוך החתך. זה ישחרר את עוגן קנה הנשימה.

5. הערה: אם עוגן קנה הנשימה נפרס בתוך הוושט או החתך (החטאה לא מכוונת), תפוס את עוגן קנה הנשימה בעזרת המוסטט לא משונן ומשוך/סובב את תותב הדיבור למקום.

5. השלם את ההליך

5. לאחר ההכנסה, השלם את ההליך כמתואר מטה בסעיף 2.5.

2.3.3 שיטה 3: הכנסת יתר

3. הכנסת יתר של תותב הדיבור Provox Vega מבוצעת לפעמים על מנת לוודא התפתחות מלאה של עוגן הוושט בחתכים קשים בין הוושט וקנה הנשימה.

Provox Vega

1. מידע תיאורי

1.1 שימוש מיועד

תותב הדיבור Provox Vega הוא תותב דיבור סטרילי פנימי לשימוש חד-פעמי המיועד לשיקום הדיבור אחרי הסרה כירורגית של בית הקול. ניקוי תותב הדיבור נעשה על ידי המטופל, כשהתותב נותר במקומו.

Provox Insertion System היא מכשיר סטרילי לשימוש יחיד המיועד להחלפה אנטרוגרדית של תותב הדיבור Provox Vega. הליך החלפה זה מבוצע על ידי רופא או איש מקצוע מוסמך בהתאם להנחיות מקומיות או לאומיות.

Provox Insertion System לא מיועדת לשימוש להכנסת תותב הדיבור לתוך חתך טרי.

1.2 תיאור המכשיר

כללי

ה-Provox Vega הוא שתום חד כיווני (תותב) אשר שומר את החתך בין קנה הנשימה לוושט פתוח לדיבור, ומקטין את הסיכון לכניסת נוזלים או מזון לקנה הנשימה. תותב הדיבור של Provox Vega אינו שתל קבוע, ויש להחליפו באופן תקופתי. התותב (איור 1) זמין בקטרים שונים ובמספר אורכים. המכשיר עשוי מסיליקון רפואי ופלאורופלסטק.

מארז Provox Vega

מארז Provox Vega מכיל את הפריטים הבאים:

- תותב דיבור Provox Vega אחד שהורכב מראש במערכת הכנסה לשימוש יחיד, סטרילי (איור 2)
- מברשת Provox Brush אחת המתאימה בגודלה לתותב הדיבור, לא סטרילית
- מדריך Provox Vega אחד לרופא
- מדריך Provox Vega אחד למטופל
- הוראות שימוש למברשת Provox Brush אחת

1.3 התוויות-נגד

אין התוויות-נגד ידועות בכל הקשור לשימוש בתותב הדיבור Provox Vega או להחלפתו בקרב חולים שכבר משתמשים בתותב לשיקום הדיבור.

1.4 אזהרות

- יכולים להתרחש תזוזה או יציאה של תותב הדיבור Provox Vega מהחלל בין קנה הנשימה לוושט אשר עלולים להוביל להכנסת מזון, שאיפה או נזק לרקמה. גוף זר בדרכי האוויר עלול לגרום לסיבוכים חמורים כגון מצוקה נשימתית חריפה ו/דום נשימה.
- **בחר את גודל התותב המתאים.** התאמה הדוקה מידי עלולה לגרום לנמק ברקמות ולתזוזה של התותב.
- **הורה למטופל להיוועץ עם רופא** אם קיימים סימנים כלשהם לבצקת ברקמה ו/או דלקת/זיהום.
- **הורה למטופל להיוועץ עם רופא** אם קיימת דליפה דרך או מסביב לתותב הדיבור. דליפה עלולה לגרום לדלקת ריאות הנובעת משאיפה.
- **אם יש צורך בכך, בחר צינורות ניתוח להסרת לרינקס או סטומה** אשר לא מפעילים לחץ על התותב או נתפסים בקנולה של התותב בקנה הנשימה בזמן ההכנסה או ההוצאה של הצינור הניתוח להסרת הלירינקס או הסטומה. זה עלול להוביל לנזק חמור לרקמה ו/או הכנסת מזון לתותב שלא בכוונה.
- **הורה למטופל להשתמש אך ורק באביזרי Provox מקוריים** בגודל מתאים (מברשת, שטיפה, פקק) לתחזוקה ולהימנע מכל מיפולציה אחרת.
- **שימוש חוזר ועיבוד חוזר** עלולים לגרום לזיהום ונזק למכשיר, שעלולים לגרום לנזק למטופל.

1.5 אמצעי זהירות

- בצע הערכה זהירה של כל מטופל עם הפרעות דימום או שעובר טיפול אנטיקואגולנטי לסיכון לדימום או שטף דם לפני הכנסת או החלפת התותב.
- בדוק את האריזה לפני השימוש. אם האריזה פגומה או פתוחה, אל תשתמש במוצר.
- תמיד יש להשתמש בטכניקות אספטיות בעת טיפול בתותב על מנת להקטין את הסיכון לזיהום.

2. הוראות שימוש

2.1 בחר את גודל תותב הדיבור

בחירה בקוטר או בגודל נכון של הניצב של התותב החלופי

ודא שאתה משתמש בתותב דיבור Provox Vega עם קוטר וגודל ניצב מתאימים. Provox Vega זמין בקטרי ניצבים שונים ובמספר גדלים.

- **בחירת קוטר הניצב**
הרופא אמור לקבוע את הקוטר המתאים של התותב למטופל.
אם הקוטר הנבחר גדול יותר מהתותב הקודם יש להרחיב את הוושט על ידי ה- Provax Dilator, המתאים לקוטר של התותב שמוכנס.
אם מוכנס תותב בעלת קוטר ניצב קטן יותר, בדוק וודא כי החתך התכווץ לקוטר המתאים.
- **בחירת אורך הניצב**
על מנת לבחור באורך הנכון, ניתן להשתמש בתותב הנוכחי בתור מכשיר המדידה שלו.
אם יש רווח של יותר מ-3 מ"מ / כ-0.12 אינץ' בין האוגן הקני ודופן הרירית, יש להשתמש בתותב קצר יותר. אם התותב יושב בצורה צפופה מדי, יש להשתמש בתותב ארוך יותר.

أبلغ المريض أيضًا بما يلي:

- بعد استبدال العضو الاصطناعي، قد يُعثر على آثار دماء في البلغم. قد يأتي هذا من النسيج الحبيبي على حافتي الفقرة الرغامية.
- يمكن استخدام سدادة Provox Vega Plug مؤقتًا لوقف التسرب عبر الأعضاء الصوتية الاصطناعية.
- يُنصح بجلوسات تدريب على المحادثة مع الطبيب المدرب للحصول على أفضل صوت، وأتقن حديث، وأمثلة فهم.

3.2 صيانة الجهاز الاصطناعي

وجّه المريض بشأن الوقت والكيفية المناسبين لتنظيف الأعضاء الصوتية الاصطناعية Provox Vega الخاص به. يمكن لتنظيف العضو الاصطناعي مرتين على الأقل يوميًا أن يساعد في إطالة عمر الجهاز.

تنبيه: لا تستخدم سوى ملحقات Provox الأصلية المخصصة للاستخدام مع Provox Vega عند تنظيف الأعضاء الاصطناعية.

- سيساعد تنظيف العضو الاصطناعي بفرشاة Provox مرتين يوميًا في إزالة المخاط وبقايا الطعام عن العضو الاصطناعي.
- يساعد أيضًا شطف العضو الاصطناعي باستخدام غسول Provox Flush في تنظيف العضو الاصطناعي من البقايا والمخاط، والذي يمكن أن يساعد في إطالة عمر الجهاز.
- ملاحظة: إن غسول Provox Flush مصمم للاستخدام فقط من قبل المرضى الذين خضعوا للتقييم بواسطة الطبيب الذي يصف الجهاز الذي أوضح قدرتهم على فهم واتباع تعليمات الاستخدام باستمرار دون إشراف الطبيب.
- تُعد بعض إجراءات النظام الغذائي، كالتناول اليومي للين الزبادي أو مخفوق اللبن الذي يحتوي على الملبينات، مفيدة ضد النمو المفرط للمبيضات.

للحصول على معلومات مفصلة عن كيفية تنظيف الجهاز Provox Vega، انظر التعليمات الخاصة بكل ملحق.

4. معلومات إضافية

4.1 التوافق مع التصوير بالرنين المغناطيسي (MRI) وأشعة X والعلاج الإشعاعي

خضعت الأعضاء الصوتية الاصطناعية Provox Vega للاختبار ووجد أنها متوافقة مع التصوير بالرنين المغناطيسي (خضعت للاختبار حتى 3 تسلا)، والعلاج بالأشعة السينية، والعلاج بالإشعاع (خضعت للاختبار حتى 70 غراي). يمكن ترك العضو الاصطناعي داخل الفقرة الرغامية أثناء جلسة الفحص/العلاج. لاحظ أن قاعدة الصمام غير المنفذ للأشعة مرئية على أشعة x.

4.2 عمر الجهاز

يتباين العمر الافتراضي للجهاز وفقًا للظروف البيولوجية الفردية ولا يمكن التنبؤ بالسلامة البنيوية للجهاز على مدار فترة زمنية طويلة. سوف تتأثر مواد الجهاز، بالكيتريا والخمائر على سبيل المثال، وستدهور السلامة البنيوية للجهاز في نهاية الأمر.

تُظهر الاختبارات المعملية للاستخدام المحاكى لفترة اختبار تبلغ 12 شهرًا أن الجهاز سيحافظ على سلامته البنيوية طوال هذه المدة في غياب البكتريا والفطريات. لم يخضع الجهاز للاختبار بخصوص الاستخدام لما يزيد عن 12 شهرًا. ويرجع أمر الاستخدام فيما بعد هذا الحد إلى التقدير المطلق للواصف.

4.3 التوافق مع الدواء المضاد للفطريات

أظهرت الاختبارات المعملية تأثيرًا سلبيًا بسيطًا على تشغيل أعضاء Provox Vega الصوتية الاصطناعية ومكوناتها عند استخدام الأدوية المضادة للفطريات التالية: نستاتين وفلوكونازول وميكونازول.

5. الإبلاغ

يُرجى ملاحظة أنه يجب إبلاغ الشركة المُصنعة والسلطة الوطنية بالبلد الذي يقيم فيه المستخدم وأو المريض بأي حادث خطير يقع في ما يتعلق بالجهاز

5. تنفيذ الخطوات النهائية للإجراء
بعد الإدخال قم بتنفيذ الخطوات النهائية للإجراء على النحو المبين أدناه في القسم 2.5

2.3.4 الأسلوب رقم 4: الإدخال باستخدام الكبسولة الاستخدام المخصص

إن كبسولة Provox Capsule عبارة عن مُلحق يستخدم مرة واحدة في الإدخال التقديمي للعضو الصوتي الاصطناعي القياسي بواسطة طبيب في الثقب الرغامي المريئي لدى مريض استئصال الحنجرة.

وصف الأداة

كبسولات Provox Capsule مصنوعة من مادة قابلة للذوبان في الماء ذات أصل نباتي، وتتوفر الأحجام التي تناسب ثلاثة أقطار مختلفة للأعضاء الصوتية الاصطناعية، وهي 17، 20 و 22.5 Fr.

تحذيرات

- تأكد دائماً من طي العضو الصوتي الاصطناعي بشكل صحيح ومن إدخاله بشكل سليم في كبسولة Provox Capsule قبل الإدخال. إذا انفصلت كبسولة Provox Capsule مبكراً، فقد يتم شفطها. لاحظ أن المرزقات قد تعرض تثبيت الكبسولة للخطر.
- لا تستخدم كبسولة Provox Capsule في حالة الاشتباه في وجود تلوث.
- لا تستخدم كبسولات Provox Capsule إذا بدا التلف على العبوة أو الكبسولات.
- تأكد من عمل الأعضاء الصوتية الاصطناعية بعد إدخالها في الفجوة الرغامية. اتبع دوماً احتياطات السلامة المحددة في تعليمات استخدام الأعضاء الصوتية الاصطناعية بعد الإدخال.

تدابير وقائية

- لا تستخدم المواد الحادة لإدخال الشفة المريئية في كبسولة Provox Capsule حيث قد يؤدي ذلك إلى تلف العضو الصوتي الاصطناعي.
- لا تستخدم سوى كبسولة Provox Capsule من نفس حجم قطر الأعضاء الصوتية الاصطناعية أو أكبر من طرها بمقاس واحد.

يمكن استخدام أداة الطي في نظام الإدخال Provox Insertion System لطبي شفة المرئ الخاصة بالأعضاء الصوتية الاصطناعية Provox Vega القياسية في كبسولة Provox Capsule*. في هذا الإجراء لا يتم استخدام أنبوب التحميل.

1. أدخل العضو الاصطناعي في كبسولة Provox Capsule

تخلص من الجزء الطويل للكبسولة Provox Capsule واستخدم الجزء القصير في الإدخال. اضغط على أداة الطي بإصبعين وضع الكبسولة في فتحة أداة الطي (شكل 13). قم بإبقاء أداة الطي مضغوطة مع إبقاء الكبسولة متجهةً بإصبع السبابة (شكل 14). بدلاً من ذلك، استخدم Provox TwistLock لإبقاء أداة الطي بعضها مع بعض. ادفع دبوس الإدخال للأمام بنبات؛ فهذا سيؤدي إلى تحميل شفة المرئ الخاصة بالأعضاء الصوتية الاصطناعية في الكبسولة.

2. التحقق من صحة التحميل

الآن تكون الأعضاء الصوتية الاصطناعية محملةً في كبسولة Provox Capsule، ويمكن إزالة أداة الطي من دبوس الإدخال. تأكد من أن شفة المرئ داخل الكبسولة (شكل 15) إذا لم تكن الأعضاء الصوتية الاصطناعية مطويةً بشكل سليم، يجب تكرار عملية التحميل باستخدام كبسولة Provox Capsule جديدة. تأكد من إحكام تثبيت شريط الأعضاء الصوتية الاصطناعية بدبوس أداة الإدخال المخصص لإدخال العضو الاصطناعي في الثقب.

3. أزل العضو الصوتي الاصطناعي القديم وحضر الثقب الرغامي المريئي (راجع القسم 2.2، التقطين 6 و 7).

4. أدخل كبسولة Provox Capsule في الثقب

أبقِ العضو الصوتي الاصطناعي في موضع الإدخال بالكامل حتى تذوب كبسولة Provox Capsule وتنبسط الشفة المريئية بالكامل. اسحب شريط الأعضاء الصوتية الاصطناعية قليلاً للتأكد من وجودها في الموضع الصحيح.

5. تحرير الأعضاء الصوتية الاصطناعية

أزل دبوس أداة الإدخال من الجهاز الصوتي الاصطناعي. يظل الجهاز الصوتي الاصطناعي في الثقب.

6. تنفيذ الخطوات النهائية للإجراء

بعد الإدخال قم بتنفيذ الخطوات النهائية للإجراء على النحو المبين أدناه في القسم 2.5.

* خيار غير متاح لكل البلدان.

2.4 تجميع نظام الإدخال Provox Insertion System وإعادة تحميله

إذا بدأت المحاولة الأولى لإدخال Provox Vega في الفجوة الرغامية بالفشل، فمن الممكن إعادة تحميل الأعضاء الصوتية الاصطناعية في نظام الإدخال Provox Insertion System.

وضع الأعضاء الصوتية الاصطناعية

- قم بتركيب الأعضاء الصوتية الاصطناعية مع توجيه جانب الرغامي لأسفل أعلى دبوس الإدخال.
- قم بتوصيل حزام الأمان عبر توجيهه من خلال فتحة التثبيت من أحد الجانبين.
- تأكد من أن العضو الصوتي الاصطناعي موضوع بطريقة صحيحة على دبوس الإدخال المثبت بشكل محكم وذلك أثناء وضع طرف الدبوس في الحلقة الزرقاء للعضو للصوتي الاصطناعي حتى نهايتها (الشكل 3).

توصيل أداة الطي

4. قم بتوجيه دبوس الإدخال عبر الفتحة الموجودة في أداة الطي إلى أن تستقر في مكانها مصدرةً صوت طقطقة. اسحب الدبوس إلى أن يستقر في أداة الطي مطلقاً صوتاً (شكل 16). الآن أصبح نظام الإدخال Provox Insertion System جاهزاً للتحرير. تابع عملية التحرير على النحو الوارد وصفه أعلاه في القسم 2.2.

تنبيه: لا تقم بتنفيذ التحميل لأكثر من مرتين. إذا بدأت على الأعضاء الصوتية الاصطناعية Provox Vega أي إشارات على كونها تالفة، فلا تستعملها.

2.5 تنفيذ الخطوات النهائية للإجراء

بعد الإدخال:

التأكد من التركيب الصحيح

- تأكد من الوضع الصحيح للعضو الصوتي الاصطناعي عبر تدوير دبوس الإدخال وسحبه برفق (شكل 17). يكون العضو الاصطناعي في الوضع المثالي عندما يشير حزام الأمان للأسفل.

اختبار الأداء المناسب للوظيفة

- قم بتنظيف جهاز Provox Vega بالفرشاة مستخدماً فرشاة Provox Brush. اختبر مدى أداء العضو الاصطناعي لوظائفه بشكل صحيح عبر مطالبة المريض بالتحدث وبعبر مراقبة عدم وجود تسرب من العضو الاصطناعي أثناء قيام المريض بشرب المياه (شكل 18).

قطع حزام الأمان

- بعد التأكد من وضع العضو الصوتي الاصطناعي في مكانه بشكل صحيح، اقطع حزام الأمان بحيث يكون مساوياً لشفة الرغامي (شكل 19). أصبحت الأعضاء الصوتية الاصطناعية Provox Vega جاهزة الآن للاستخدام.

2.6 طريقة التخلص

احرص دائماً على اتباع الممارسات الطبية والمتطلبات الوطنية المتعلقة بالمخاطر البيولوجية عند التخلص من جهاز طبي مستعمل

3. معلومات هامة للمريض

3.1 معلومات عامة

تأكد من أن المريض يفهم أن عليه الاتصال بطبيبه إذا:

- وجود تسرب خلال عضو الصوت الاصطناعي أو حوله (سعال أو تغير لون المخاط أو كلاهما).
- وجود صعوبة في النطق (وعلامه ذلك بذل مجهود أكبر وأو إرهاق كبير في الصوت).
- وجود أي علامات على الانتهاب أو تغيرات الأنسجة في منطقة الثقب أو منطقة الفجوة (ألم، أو احمرار، أو حرارة، أو تورم، أو آثار للدماء على الفرشاة بعد التنظيف بالفرشاة).

طي شفة المريء

- تحقق من أن ديبوس الإدخال موضوع بطريقة صحيحة مع أداة الطي (يجب أن يصدر صوت طقطقة عند وضع الديبوس في أداة الطي).
- اضغط على أداة الطي بإصبعين معاً (الشكل 4).
- قم بتركيب أنبوب التجميل مع إبقاء أداة الطي مغلقة في الوقت نفسه ولف أنبوب التجميل إلى أن يستقر في مكانه (الشكل 5).
- (غير معروفة للإدخال بالكبسولة)

التحميل

- ادفع ديبوس الإدخال للأمام إلى أن تتم محاذاة الأعضاء الصوتية الاصطناعية مع الحلقة الظاهرة على أنبوب التجميل (الشكل 6). (غير معروفة للإدخال بالكبسولة)

إزالة الأعضاء الصوتية الاصطناعية القديمة

- قم بإزالة العضو الاصطناعي الحالي (أي القديم) من الفجوة الرغامية عبر سحبه خارجاً باستخدام ملقاط غير مسنن قاطع للزلف. أو يمكن مسك شفة الرغامي الخاصة بالعضو الاصطناعي، حسب تقدير الطبيب، باستخدام الملقاط وقطعها. وعندئذ يمكن دفع بقية العضو الاصطناعي إلى داخل المريء للمرور عبر مجرى الأمعاء. يجب مراعاة السجل المرضي للمريض المتعلق بأي أمراض معوية قبل استخدام هذا الأسلوب.

تحضير الثقب (اختياري)

- ويجب توسيع الثقب للتحضير لإدخال الأعضاء الصوتية الاصطناعية. وهذا الإجراء لا يكون ضرورياً عادةً لكنه يمكن أن يسهل الإدخال لدى المرضى الذين تكون الثقوب عندهم بزواوية أو ضيقة والتي يمكن أن تزول بسهولة.

2.3 الإدخال، إجراء الاستبدال التقدمي باستخدام أسلوب الإفراط

يمكن استخدام أربعة أساليب لإدخال الأعضاء الصوتية الاصطناعية Provox Vega باستخدام نظام الإدخال Provox Insertion System. يتم اختيار الأسلوب حسب تقدير الطبيب.

- 2.3.1 إدخال النظام: يتم استخدام نظام الإدخال بالكامل.
- 2.3.2 إدخال الأنبوب: تتم إزالة أداة الطي قبل الإدخال.
- 2.3.3 الإدخال بأسلوب الإفراط: يتم تركيب الأعضاء الصوتية الاصطناعية بأكملها في المريء ومن ثم يتم سحبها إلى الموضع المطلوب.
- 2.3.4 الإدخال باستخدام الكبسولة: يتم وضع الأعضاء الصوتية الاصطناعية في كبسولة Provox Capsule قبل الإدخال.

2.3.1 الأسلوب رقم 1: إدخال النظام

1. دخول الفجوة الرغامية
قم بإمسك نظام الإدخال Provox Insertion System بواسطة أنبوب التجميل. أدخل الثقب بواسطة طرف أنبوب التجميل. تابع بحذر إذا واجهت مقاومة. إذا كانت هناك مقاومة، فإن التوسيع أو التزيت أو كليهما يمكن أن يسهلا من الإدخال.
2. إدخال الأعضاء الصوتية الاصطناعية
قم بإبقاء أنبوب التجميل ثابتاً بيد واحدة وادفع ديبوس الإدخال باليد الأخرى إلى أن تكون الأسهم عند سطح الإمساك البعيد في مستوى الحافة السفلية من أداة الطي (شكل 7). عند هذه النقطة، تكون شفة المريء من الأعضاء الصوتية الاصطناعية غير مطوية بشكل كامل في المريء.
3. تحرير الأعضاء الصوتية الاصطناعية
اسحب أنبوب التجميل وأداة الطي معاً في خط مستقيم خارج الثقب. تظل الأعضاء الصوتية الاصطناعية في الثقب، وتظل مثبتة بشكل محكم في ديبوس الإدخال.
4. تنفيذ الخطوات النهائية للإجراء
بعد الإدخال قم بتنفيذ الخطوات النهائية للإجراء على النحو المبين أدناه في القسم 2.5.

2.3.2 الأسلوب رقم 2: إدخال الأنبوب

لتحسين مستوى الرؤية، يمكن إزالة أداة الطي بمجرد دفع العضو الاصطناعي في أنبوب التجميل. ملاحظة: من المهم دائماً استخدام نظام الإدخال Provox Insertion System مع أداة الطي المركبة عند تحميل العضو الاصطناعي لضمان الطي الصحيح لشفة المريء.

1. إزالة أداة الطي
قم بإزالة أداة الطي عن طريق تحريرها وفصلها من أنبوب التجميل (شكل 8).
 2. دخول الفجوة الرغامية
قم بإمسك نظام الإدخال Provox Insertion System بواسطة أنبوب التجميل. أدخل الثقب بواسطة طرف أنبوب التجميل. تابع بحذر إذا واجهت مقاومة. إذا كانت هناك مقاومة، فإن التوسيع أو التزيت أو كليهما يمكن أن يسهلا من الإدخال.
 3. إدخال الأعضاء الصوتية الاصطناعية
ادفع ديبوس الإدخال باليد الأخرى إلى أن يصبح سطح الإمساك القريب متساوياً مع أنبوب التجميل (شكل 9). عند هذه النقطة، تكون شفة المريء من الأعضاء الصوتية الاصطناعية غير مطوية بشكل كامل في المريء.
 4. تحرير الأعضاء الصوتية الاصطناعية
قم بإمسك أنبوب التجميل بيد وديبوس الإدخال بالأخرى. اسحب كلاً من أنبوب التجميل وديبوس الإدخال للخلف إلى أن تشعر بأن شفة المريء قد وصلت إلى جدار المريء الأمامي. ثم اترك ديبوس الإدخال واسحب أنبوب التجميل في خط مستقيم خارج الثقب. سوف يؤدي هذا إلى تحرير شفة الرغامي.
 5. ملاحظة: إذا فُتح شفة الرغامي داخل المريء أو الثقب (الإفراط غير المقصود)، فقم بإمسك شفة الرغامي باستخدام ملقاط غير مسنن قاطع للزلف واسحب/قم بتدوير الأعضاء الصوتية الاصطناعية حتى تستقر في مكانها.
- تنفيذ الخطوات النهائية للإجراء
بعد الإدخال قم بتنفيذ الخطوات النهائية للإجراء على النحو المبين أدناه في القسم 2.5.

2.3.3 الأسلوب رقم 3: الإدخال بأسلوب الإفراط

يتم تنفيذ أسلوب الإفراط مع الأعضاء الصوتية الاصطناعية Provox Vega بين حين وآخر لضمان حدوث التقدم الكامل لشفة المريء في الفجوات الرغامية الصعبة.

1. إزالة أداة الطي (اختياري)
بعد دفع العضو الاصطناعي إلى داخل أنبوب التجميل، قم بإزالة أداة الطي عبر تحريرها وفصلها من أنبوب التجميل (شكل 8).
2. دخول الفجوة الرغامية
قم بإمسك نظام الإدخال Provox Insertion System بواسطة أنبوب التجميل. أدخل الثقب بواسطة طرف أنبوب التجميل. تابع بحذر إذا واجهت مقاومة. إذا كانت هناك مقاومة، فإن التوسيع أو التزيت أو كليهما يمكن أن يسهلا من الإدخال.
3. إدخال الأعضاء الصوتية الاصطناعية
قم بإبقاء أنبوب التجميل ثابتاً بيد واحدة وادفع ديبوس الإدخال باليد الأخرى إلى أن يصل إلى ما بعد سطح الإمساك القريب (شكل 10). عند هذه النقطة تكون الأعضاء الصوتية الاصطناعية قد دخلت بالكامل في المريء (شكل 11).
4. إذا تم تنفيذ إجراء الإفراط بأسلوب الإفراط مع إبقاء أداة الطي مجمعة، فادفع ديبوس الإدخال إلى ما بعد سطح الإمساك البعيد. عند هذه النقطة تكون الأعضاء الصوتية الاصطناعية قد دخلت بالكامل في المريء (شكل 12).
4. تحرير الأعضاء الصوتية الاصطناعية
اسحب أنبوب التجميل بشكل مستقيم خارجاً من الثقب. يظل العضو الاصطناعي في المريء، ويظل مثبتاً بشكل محكم في ديبوس الإدخال. قم بإمسك شفة الرغامي بالملقاط غير المسنن القاطع للزلف واسحب/قم بتدوير الأعضاء الصوتية الاصطناعية حتى تستقر في مكانها.

جهاز Provox Vega

1. معلومات وصفية

1.1 الاستخدام المحدد

أعضاء Provox Vega الصوتية الاصطناعية عبارة عن أعضاء صوتية اصطناعية معقمة مستقرة أحادية الاستخدام، مخصصة لإعادة التأهيل الصوتي بعد الإزالة الجراحية للحنجرة (استئصال الحنجرة). يقوم المريض بتنظيف الأعضاء الصوتية الاصطناعية أثناء وجودها في مكانها.

نظام الإدخال Provox Insertion System هو عبارة عن جهاز معقّم للاستعمال لمرة واحدة والغرض منه هو استخدامه في الاستبدال التلقائي للأعضاء الصوتية الاصطناعية طراز Provox Vega. يتم تنفيذ إجراء الاستبدال هذا بواسطة طبيب أو أخصائي طبي مدرب بما يتوافق مع التوجيهات المحلية أو الوطنية.

ليس من المفترض استخدام نظام الإدخال Provox Insertion System في إدخال الأعضاء الصوتية الاصطناعية في ثقب تم إنشاؤه حديثاً.

1.2 وصف الجهاز

عام

يحتوي نظام Provox Vega على صمام أحادي الاتجاه يحافظ على فتح الفجوة الرغامية للتمكن من الكلام، في حين يقلل من خطر دخول السوائل والطعام إلى الرغامي. إن أعضاء Provox Vega الصوتية الاصطناعية ليست عضوًا مزروعًا بشكل دائم، ولا بد من استبدالها بشكل دوري. يتوفر جهاز الصوت (الشكل 1) بأقطار مختلفة وبعيدة أطوال. هذا الجهاز مصنوع من مطاط السليكون من الفئة الطبية والبوليستر الفلوري.

عبوة Provox Vega

تضم عبوة Provox Vega العناصر التالية:

- أعضاء صوتية اصطناعية Provox Vega معقمة ومجمّعة مسبقًا في نظام إدخال مصمم للاستخدام لمرة واحدة (شكل 2)
- فرشاة Provox Brush واحدة ذات مقاس متوافق مع الأعضاء الصوتية الاصطناعية، وتكون غير معقمة
- دليل الطبيب لاستخدام Provox Vega
- دليل المريض لاستخدام Provox Vega
- تعليمات استخدام فرشاة Provox Brush

1.3 موانع الاستعمال

لا توجد موانع معروفة لاستعمال عضو Provox Vega الصوتي الاصطناعي أو استبداله بين المرضى الذين يخضعون بالفعل لإعادة التأهيل الصوتي باستخدام عضو الصوت الاصطناعي.

1.4 التحذيرات

- قد تحدث إزاحة أو لفظ للأعضاء الصوتية الاصطناعية Provox Vega من الفجوة الرغامية وبالتالي قد يحدث شفت أو ابتلاع لها أو ضرر في الأنسجة. فقد يتسبب وجود جسم غريب في المجرى الهوائي في مضاعفات حادة، مثل الشائقة التنفسية الحادة أو توقف التنفس أو كليهما.
- حدد الحجم المناسب للعضو الاصطناعي. يمكن أن يتسبب التثبيت الضيق في حدوث نخر وثقب في الأنسجة.
- وجه المريض لاستشارة طبيب فورًا في حال كانت هناك أي علامات على استسقاء أو التهاب/إصابة أو كليهما في الأنسجة.
- وجه المريض إلى استشارة طبيب في حالة وجود تسرب عبر الأعضاء الصوتية الاصطناعية أو حولها. قد يتسبب التسرب في حدوث التهاب رئوي شفتي.
- في حالة استخدام أنابيب استئصال الحنجرة أو مفتاح النفخ، اختر منها ذات الشكل المناسب التي لا تضغط على الأعضاء الاصطناعية، أو تعلق بشفة الرغامي للأعضاء الاصطناعية خلال إدخال أنبوب استئصال الحنجرة أو مفتاح النفخ وإزالتها. قد يؤدي هذا إلى أضرار نسجية حادة أو ابتلاع عرزي للعضو الاصطناعي أو كليهما.
- وجه المريض إلى عدم استخدام سوى ملحقات Provox الأصلية من الحجم المتوافق (مثل الفرشاة Brush، والغسل Flush، والسدادة Plug) لإجراء الصيانة وتفاذي كل أنواع المعالجة الأخرى.
- قد تؤدي إعادة الاستخدام أو إعادة المعالجة إلى انتقال العدوى وإتلاف الجهاز، الأمر الذي قد يلحق الأذى بالمريض.

1.5 موانع الاستعمال

- قيّم بحذر حالة أي مريض يعاني من اختلالات رئوية أو يخضع لعلاج التخثر من حيث خطر النزف أو النزيف قبل تركيب العضو الاصطناعي أو استبداله
- افحص العبوة قبل الاستخدام. إذا كانت العبوة متضررة أو مفتوحة، فلا تستخدم المنتج.
- استخدم أسلوبًا يحتوي على التعقيم دائمًا عند مناولة العضو الاصطناعي لتقليل خطر الإصابة بعدوى.

2. تعليمات الاستخدام

2.1 اختيار مقاس الأعضاء الصوتية الاصطناعية

اختيار قطر محور العضو الاصطناعي البديل وطوله المناسبين

تأكد من استعمال الأعضاء الصوتية الاصطناعية Provox Vega ذات القطر وطول المحور المناسبين. يتوفر العضو الاصطناعي Provox Vega بأقطار محاور مختلفة وأطوال متعددة.

- تحديد قطر المحور
يجب على الطبيب أن يقرر القطر المناسب للعضو الاصطناعي المناسب للمريض.
إذا اخترت قطرًا أكبر من العضو الاصطناعي السابق، يجب توسيع المجرى باستخدام مُوسع Provox Dilator المناسب للقطر العضو الاصطناعي الذي يجري إدخاله.
إذا أدخل جهاز ذو قطر محور أصغر، راقب وتأكد من أن ثقب الإدخال قد انكمش إلى القطر الملائم.
- تحديد طول المحور
لتحديد الطول الصحيح، يمكنك استخدام العضو الاصطناعي الحالي باعتباره جهاز القياس الخاص به.
إذا كانت هناك مسافة كبيرة للغاية (أي 3 مم /- 0.12 بوصة أو أكثر) بين شفة الرغامي الخاصة بالعضو الاصطناعي القديم والجدار المخاطي، يجب استخدام عضو اصطناعي أقصر. يجب استخدام عضو اصطناعي أطول إذا تم تثبيت العضو الاصطناعي بشكل بالغ الإحكام.

2.2 الإعداد

(الشكل 6-3)

وضع الأعضاء الصوتية الاصطناعية

1. تأكد من أن الأعضاء الصوتية الاصطناعية موضوعة بطريقة صحيحة على دبوس الإدخال المثبت بشكل محكم وذلك أثناء وضع طرف الدبوس حتى نهاية الحلقة الرزقاء للأعضاء الصوتية الاصطناعية (الشكل 3).



Manufacturer; Hersteller; Fabrikant; Fabricant; Produttore; Fabricante; Fabricante; Tillverkare; Producent; Prodesent; Valmistaja; Framleiðandi; Tootja; Ražotājs; Gamintojas; Výrobce; Gyártó; Výrobca; Proizvajalec; Producent; Produčator; Proizvodač; Proizvodač; Κατασκευαστής; Производител; Üretici; მწარმოებელი; Ἀρτοποιητής; İstehsalçı; Производитель; Produzen; Pengilang; 製造業者; 제조사; 製造商; 制造商; الجهة المصنعة; היצרן



Date of manufacture; Herstellungsdatum; Productiedatum; Date de fabrication; Data di fabbricazione; Fecha de fabricación; Data de fabrico; Tillverkningsdatum; Fremstillingsdato; Produksjonsdato; Valmistuspäi vä; Framleiðsludagsetning; Valmistamise kuupäev; Ražošanas datums; Pagaminimo data; Datum výroby; Gyártás időpontja; Dátum výroby; Datum proizvodnje; Data produkcji; Data fabricației; Datum proizvodnje; Datum proizvodnje; Ημερομηνία κατασκευής; Дата на производство; Üretim tarihi; წარმოების თარიღი; Ἀρτοποιησιμῶν ἡμερησίων; İstehsal tarihi; Дата изготовления; Tanggal produksi; Tarikh pembuatan; 製造日; 제조일자; 製造日期; 製造日期; תאריך التصنيع; תאריך ייצור



Use-by date; Verfallsdatum; Houdbaarheidsdatum; Date limite d'utilisation; Data di scadenza; Fecha de caducidad; Data de validade; Används senast; Anvendes inden; Brukes innen; Viimeinen käyttöpäivä; Sídasti notkunardagur; Kölblík kuni; Derīguma termiņš; Naudoti iki; Datum expirace; Felhasználhatóság dátuma; Dátum najneskoršej spotreby; Rok uporabnosti; Data ważności; Data expirării; Rok uporabe; Rok upotrebe; Ημερομηνία λήξης; Срок на годност; Son kullanım tarihi; ვარგისობა; Ἀποφρακτικῶν ἡμερησίων ὁρίων; Son istifadə tarixi; Срок годности; Gunakan sebelum tanggal; Tarikh guna sebelum; 使用期限; 사용 기한; 使用截止日期; 使用截止日期; תאריך انتهاء الصلاحية; תאריך אחרון לשימוש

LOT

Batch code; Chargencode; Partijnummer; Code de lot; Codice lotto; Código de lote; Código do lote; Batchkod; Batchkode; Batchkode; Eränumero; Lotunúmer; Partij kood; Partijas kods; Partijos kodas; Kód šarže; Sarzs kód; Kód šarže; Številka serije; Kod partii; Codul lotului; Šifra serije; Šifra serije; Κωδικός παρτίδας; Код на партида; Parti kodu; სერვისი კოდი; Işılparıslıslıh kılı; Partiya kodu; Код партии; Kode batch; Kod kelompok; パッチコード; 배치 코드; 批次代碼; 批号; קוד הצורה; קוד الدفعة

REF

Product reference number; Produktreferenznummer; Referentienummer product; Numéro de référence du produit; Numero riferimento prodotto; Número de referencia del producto; Referência do produto; Referensnummer; Produktreferencenummer; Produktreferansnummer; Artikelnummer; Tilvisunarnúmer vöru; Toote viitenumber; Produkta atsauces numurs; Gaminio katalogo numeris; Referenční číslo produktu; Termék referenciaszáma; Referenčné číslo produktu; Referenčna številka izdelka; Numer katalogowy produktu; Numărul de referință al produsului; Referentni broj proizvoda; Referentni broj proizvoda; Αριθμός αναφοράς προϊόντος; Референтен номер на продукт; Ürün referans numarası; შროდუქტის საკონტროლო ნომერი; Ἀρτοποιησιμῶν ἡμερησίων ὁρίων; Məhsulə istinad nömrəsi; Справочный номер изделия; Nomor referensi produk; Nombor rujukan produk; 製品参照番号; 제품 참조 번호; 產品參考號; 产品参考编号; الرقم المرجعي للمنتج; מספר סימוכין של המוצר



Do not re-use; Nur zum Einmalgebrauch; Niet hergebruiken; Ne pas réutiliser; Non riutilizzare; No reutilizar; Não reutilizar; Återanvänd ej; Må ikke genanvendes; Skal ikke gjenbrukes; Ei uudelleenkäytettävä; Má ekki endurnýta; Mitte taaskasutada; Neizmantot atkārtoti; Pakartotina nenaudoti; Nepoužívejte opakovaně; Ne használja fel újra; Nepoužívejte opakovane; Ne uporabljajte ponovno; Nie używać ponownie; A nu se reutiliza; Nemojte ponovno upotrebljavati; Ne koristiti ponovo; Μην επαναχρησιμοποιείτε; Не използвайте повторно; Tekrar kullanmayın; არ გამოიყენოთ ხელახლა; Մեկանգամյա օգտագործման համար; Yenidən istifadə etməyin; He подлежит повторному использованию; Jangan gunakan ulang; Jangan guna semula; 再利用不可; 재사용하지 마십시오; 請勿重複使用; 請勿重复使用; يجب عدم إعادة الاستخدام; אינו מיועד לשימוש חוזר

STERILE EO

Sterilized using ethylene oxide: Mit Ethylenoxid sterilisiert; Gesteriliseerd met ethyleenoxide; Stérilisé à l'oxyde d'éthylène; Sterilizzato con ossido di etilene; Esterilizado con óxido de etileno; Esterilizado com óxido de etileno; Steriliserad med etylenoxid; Steriliseret med ethylenoxid; Steriliseret ved hjælp af etylenoksid; Steriloitu eteenioksidilla; Dauidhreinsað með etýlenoxíði; Etüleenoksiidiga steriliseeritud; Sterilizēts, izmantojot etilēna oksīdu; Sterilizovano s pomošću ETILENOKSIDA; Sterilizováno pomocí etylenoxidu; Etilén-oxidall sterilizálva; Sterilizované etylénoxidom; Sterilizirano z etilenoksidom; Wysterylizowano tlenkiem etylenu; Produs sterilizat cu oxid de etilenă; Sterilizirano etilen-oksidom; Sterilisano etilen-oksidom; Αποστειρωμένο με οξείδιο του αιθυλενίου; Стерилизовано посредством этилен оксид; Etilen oksit kullanılarak sterilize edilmiştir; სტერილიზებულია ეთილენის ოქსიდის გამოყენებით; Στεριλιζομένο με εθιλένιο; Etilen oksidi ilə sterilizasiya edilib; Стерилизовано с помощью ЭТИЛЕНОКСИДА; Disterilkan menggunakan etilena oksida; Disterilkan menggunakan etilena oksida; エチレンオキシド滅菌; 에틸렌옥사이드를 사용하여 멸균처리됨; 使用環氧乙烷滅菌; 已经使用环氧乙烷灭菌;

עיקור באמצעות אתילן אוקסיד
معقم باستخدام أكسيد الإيثيلين



Do not use if package is damaged; Produkt nicht verwenden, wenn die Verpackung beschädigt ist; Niet gebruiken als de verpakking beschadigd is; Ne pas utiliser si l'emballage est endommagé; Non utilizzare se la confezione è danneggiata; No utilizar el producto si el embalaje está dañado; Não utilizar se a embalagem estiver danificada; Använd inte om förpackningen är skadad; Må ikke bruges, hvis emballagen er beskadiget; Skal ikke brukes hvis emballasjen er skadet; Ei saa käyttää, jos pakkaus on vaurioitunut; Notið ekki ef umbúðir eru skemmdar; Mitte kasutada, kui pakend on kahjustatud; Neizmantot, ja iepakojums ir bojāts; Nenaudoti, jeigu pažeista pakuotė; Nepoužívejte, pokud je obal poškozený; Ne használja, ha a csomagolás sérült; Nepoužívejte, ak je poškodený obal; Ne uporabljajte, če je ovojnina poškodovana; Nie używać, jeśli opakowanie jest uszkodzone; A nu se utiliza dacă ambalajul este deteriorat; Nemojte upotrebljavati ako je pakiranje oštećeno; Ne koristiti ako je pakovanje oštećeno; Μην χρησιμοποιείτε εάν η συσκευασία έχει υποστεί ζημιά; He ispol'zujte, ako celostta na opakovkata e нарушена; Ambalaj hasarlıysa kullanmayın; არ გამოიყენოთ, თუ შეფუთვა დაზიანებულია; Qoqumalqurðler, terti þjálfarþaflurinn er slasaður í; Qablaşdırılmaya zərər dəyibsa istifadə etməyin; He ispol'zuyte, esli povrezhdena upakovka; Jangan gunakan jika kemasan rusak; Jangan gunakan jika pakej rosak; パッケージに損傷がある場合、使用不可; 패키지가 손상된 경우 사용하지 마십시오; 若包裝受損，請勿使用; 如包裝损坏，請勿使用;

يجب عدم الاستخدام إذا كان التغليف تالفاً؛ אין להשתמש אם האריזה פגומה



Keep away from sunlight and keep dry; Vor Sonnenlicht und Feuchtigkeit schützen; Niet blootstellen aan zonlicht, droog bewaren; Maintenir à l'abri de la lumière directe du soleil et de l'humidité; Tenere all'asciutto e al riparo dalla luce del sole; Mantener seco y alejado de la luz solar; Manter afastado da luz solar e da chuva; Håll borta från solljus och håll torr; Holdes bort fra sollys og holdes tørt; Unngå direkte sollys, holdes tørt; Säilyttävä kuivassa paikassa suojassa auringonvalolta; Geymið fjarri sólarljósi og haldið þurru; Hoida kuivas ja eemal päikesevalgusest; Sargāt no saules stariem un mitruma; Saugoti nuo saulės šviesos ir laikyti sausai; Chraňte pred slnečným zářením a udržujte v suchu; Tartsa a napfénytől távol, és tartsa szárazon; Chráňte pred slnečným žiarením a uchovávejte v suchu; Shranjujte na suhem in ne izpostavljajte sončni svetlobi; Chronić przed światłem słonecznym i przechowywać w suchym miejscu; A se feri de lumina soarelui și a se menține uscat; Čuvajte na suhom mjestu i podalje od sunčeve svjetlosti; Držati dalje od sunčeve svjetlosti i čuvati na suvom; Φυλάσσετε μακριά από το ηλιακό φως και διατηρείτε τη συσκευή στεγνή; Држте далече от слънчева светлина и съхранявайте на сухо място; Güneş ışığından uzakta ve kuru tutun; შეინახეთ მზისგან დაცულ ადგილას და მშრალ მდგომარეობაში; Հետո պահեք արևի ճառագայթներից և պահեք չոր տեղում; Gün ışığından uzaqda və quru saxlayın; Берегите от воздействия прямых солнечных лучей и влаги; Hindarkan dari sinar matahari dan simpan di tempat yang kering; Jauhkan dari cahaya matahari dan pastikan sentiasa kering; 直射日光および湿気禁止; 직사광선이 닿지 않게 하고 건조한 상태로 유지하십시오; 避免日照並保持乾燥; 避免日照和保持干燥。;

יש להרחיק מאור השמש ולאחסן במקום יבש
يجب الحفاظ على المنتج جافاً وبعيداً عن أشعة الشمس



Storage temperature limit; Lagertemperaturgrenze; Maximale bewaartemperatuur; Limite de température de stockage; Temperatura di stoccaggio; Límite de temperatura de almacenamiento; Limite da temperatura de armazenamento; Temperaturgränser för förvaring; Opbevaringstemperaturbegrensning; Oppbevaringstemperaturgrense; Säilytyslämpötilan raja; Takmarkanir á hitastigi við geymslu; Säilitustemperatuuri piirmäär; Uzglabāšanas temperatūras ierobežojums; Laikymo temperatūros riba; Maximální skladovací teplota; Tárolási hőmérsékletkorlát; Limit skladovacej teploty; Omejitve temperature za shranjevanje; Temperatura przechowywania; Limita temperaturii de depozitare; Ograničenje temperature skladištenja; Ograničenje temperature skladištenja; Όρια θερμοκρασίας αποθήκευσης; Границы на температурата на съхранение; Saklama sıcaklığı sınırı; შენახვის ტემპერატურის ლიმიტი; Պահպանման ջերմաստիճանի սահմանները; Saxlama temperaturu həddi; Ограничения температуры хранения; Batas suhu penyimpanan; Had suhu simpanan; 保管温度制限; 보관 온도 제한; 儲存溫度限制; 儲存溫度限制;

حد درجة الحرارة والتخزين, חבלת טמפרטורת אחסון



Store at room temperature. Temporary deviations within the temperature range (max-min) are allowed; Bei Zimmertemperatur lagern. Temperaturschwankungen innerhalb des Temperaturbereichs (min.-max.) sind zulässig; Bij kamertemperatuur bewaren. Tijdelijke afwijkingen van de temperatuur binnen de marge (min-max) zijn toegestaan; Stocker à température ambiante Des écarts temporaires dans la plage de température ambiante (max-min) sont autorisés; Conservare a temperatura ambiente. Sono consentiti scostamenti temporanei entro i limiti di temperatura (max-min); Almacenar a temperatura ambiente. Se permiten desviaciones temporales dentro del rango de temperatura (máx.-mín.); Guardar a temperatura ambiente. São permitidos desvios temporários dentro do intervalo das temperaturas (máx-min); Förvara i rumstemperatur. Tillfälliga avvikelser inom temperaturområdet (max-min.) är tillåtna; Opbevar ved rumstemperatur. Midlertidige afvigelser i temperaturløbet (maks-min) er tilladt; Opbevares i rumtemperatur. Midlertidige avvik innenfor temperaturområdet (maks.-min.) er tillatt; Säilytä huoneenlämmössä. Väliaikainen poikkeama lämpötila-alueella (suurin-pienin) on sallittu; Geymið við stofuhita. Tímabundin frávik innan hitaviðs (lág.-hám.) eru leyfð; Hoida toatemperatuuril. Ajutvised nihked temperatuurivahemikus (max-min) on lubatud; Uzglabāt istabas temperatūrā. Ir pieļaujamas īslaicīgas novirzes temperatūras diapazona ietvaros (min.-maks.); Laikyti kambario temperatūroje. Leidžiami laikini nuokrypiai, nevirsijantys temperatūros intervalo (didž.-maž.); Skladujte pri pokojové teplotě. Dočasné odchylky od teplotního rozsahu (max-min) jsou povoleny; Tárolja szobahőmérsékleten. Az átmeneti ingadozás a hőmérséklet-tartományon belül (max.-min.) engedélyezett; Uchovávejte pri izbovej teplote. Dočasné odchýlky v rámci teplotného rozsahu (max - min) sú povolené; Shranjujte pri sobni temperaturi. Dovoljena so začasna odstopanja znotraj temperaturnega razpona (najv.-najm.); Przechowywać w temperaturze pokojowej. Dopuszczalne są przejściowe odchylenia w obrębie zakresu temperatury (maks. — min.); A se păstra la temperatura camerei. Sunt permise abateri temporare în intervalul de temperatură (min.-max.); Skladišтите pri sobnoj temperaturi. Dopuštena su privremena odstupanja unutar raspona temperature (maks. - min.); Čuvati na sobnoj temperaturi. Dozvoljena su privremena odstupanja unutar tempurnog opsega (maks.-min.); Φυλάσσετε σε θερμοκρασία διαμετίου. Επιτρέπονται παροδικές αποκλίσεις εντός του εύρους θερμοκρασίας (μέγιστη-ελάχιστη); Съхранявайте на стайна температура. Временните отклонения в температурните диапозони (макс. - мин.) са разрешени; Oda sıcaklığında saklayın. Sıcaklık aralığı (maksimum-minimum) içerisinde geçici sapmalarla izin verilir; შეინახეთ ოთახის ტემპერატურაზე. დროებითი გადახრები ტემპერატურის ფარგლებში (მაქს.-მინ.) დასაშვებია; Պահել սենյակային ջերմաստիճանում: Թույլատրվում են ժամանակավոր ստատանումներ ջերմաստիճանի ընդդրվույթում (առավելագույնից նվազագույն); Otaq temperaturunda saxlayın. Maksimum və minimum temperatur aralığında müvəqqəti yayınmalara icazə verilir; Храните при комнатной температуре. Допускаются временные отклонения интервала температур (макс.-мин.); Simpan pada suhu ruang. Deviasi sementara dalam rentang suhu (maks-min) diizinkan; Simpan pada suhu bilik. Penyimpangan sementara dalam julat suhu (maks-min) adalah dibenarkan; 室温で保管。温度範囲(最大~最小)内の温度逸脱は許容。; 실온에서 보관하십시오. 온도 범위내에서의 일시적인 편차(최대-최소)는 허용됩니다; 室温儲存。允許在溫度範圍內(上限至下限)的溫度差異。; 室温下存放。允許溫度範圍內(最高-最低)的暂时偏差。;

יש לאחסן בטמפרטורת החדר. מותרות סטיות זמניות בתוך טווח הטמפרטורה (מקסימום-מינימום).

يجب التخزين في درجة حرارة الغرفة. يُسمح باختلافات مؤقتة ضمن نطاق درجة الحرارة (الحد الأقصى-الحد الأدنى)



Caution, consult instructions for use; Vorsicht, Gebrauchsanweisung beachten; Let op: Raadpleeg de gebruiksaanwijzingen; Mise en garde, consultez le mode d'emploi; Attenzione, consultare le istruzioni per l'uso; Precaución, consultar instrucciones de uso; Cuidado, consultar as instruções de utilização; Varning, läs instruktion; Forsigtig, se brugsanvisning; Forsiktig, se bruksanvisningen; Varoitus, katso käyttöohjeet; Varüð, lesið notkunarleiðbeiningarnar; Ettevaatust, tutvuge kasutusjuhendiga; Uzmanību! Izlasiet lietošanas norādījumus; Dėmesio, skaityti naudojimo instrukciją; Upozornění, viz návod k použití; Figyelem, tájékozódjon a használati útmutatóból; Pozor, riadte sa návodom na použitie; Pozor; glejte navodila za uporabo; Uwaga, należy zapoznać się z instrukcją obsługi; Atentie! Consultați instrucțiunile de utilizare; Pozor: proučite upute za upotrebu; Oprez, konsultovajte uputstvo za upotrebu; Προσοχή, συμβουλευτείτε τις οδηγίες χρήσης; Внимание, проконсультируйте се с инструкциите за употреба; Dikkat, kullanmadan önce talimatları inceleyin; გაფრთხილება, მითითებულ ვაშუქვების ინსტრუქციას; მოუპოვოთ, ხელსაք oqunmaqarbdmân hpuhuanqûnêrê; Xəbərdarlıq, istifadə qaydalarını oxuyun; Предостережение, обратитесь к инструкциям по применению; Perhatian, baca petunjuk penggunaan; Berhati-hati, rujuk arahan penggunaan; 注意、取扱説明書を参照; 주의 사용 지침을 참조하십시오; 注意事項, 參閱使用說明; 小心, 參閱使用說明書;

תיבה, רاجع تعليمات الاستخدام; והירות, יש לעיין בהוראות השימוש



Non-sterile; Unsteril; Niet steriel; Non stérile; Non sterile; No estéril; Não estéril; Osteril; Ikke-steril; Usteril; Steriloimaton; Ósæft; Mittesteriilne; Nesterils; Nesterilu; Nesterilni; Nem steril; Nesterilné; Nesterilno; Produkt niejałowy; Prodnus nesteril; Nesterilno; Nije sterilno; Μη αποστειρωμένο; Нестерилно; Steril değıildir; არასტერილური; Ω, αστηρη; Qeyri-steril; Нестерильно; Tidak steril; Tidak steril; 非滅菌; 무균 아님; 未滅菌; 非无菌; غير معقم; לא מעוקר



Instructions for use; Gebrauchsanweisung; Gebruiksaanwijzing; Mode d'emploi; Istruzioni per l'uso; Instrucciones de uso; Instruções de utilização; Bruksanvisning; Brugsanvisning; Käyttöohjeet; Notkunarleiðbeiningar; Kasutusjuhend; Lietošanas norādījumi; Naudojimo instrukcija; Návod k použití; Használati útmutató; Návod na použitie; Navodila za uporabo; Instrukcja użycia; Instrucțiuni de utilizare; Upute za upotrebu; Uputstvo za upotrebu; Οδηγίες χρήσης; Инструкции за употреба; Kullanım talimatları; გამოყენების ინსტრუქცია; Oqunmaqarbdmân hpuhuanqûnêrê; İstifada qaydaları; Инструкции по применению; Petunjuk penggunaan; Arahan penggunaan; 取扱説明書; 사용 지침; 使用說明; 使用说明书; تعليمات الاستخدام; ההוראות שימוש



Medical Device; Medizinprodukt; Medisch hulpmiddel; Dispositif médical; Dispositivo medico; Productio sanitario; Dispositivo médico; Medicinteknisk produkt; Medicinsk udstyr; Medisinsk utstyr; Lääkinällinen laite; Läkningateki; Meditsiiniseade; Mediciniska ierice; Medicinos priemonė; Zdravotnický prostriedek; Orvostechnikai eszköz; Zdravotnícka pomôcka; Medicinski pripomoček; Wyrób medyczny; Dispozitiv medical; Medicinski proizvod; Медицинско средство; Ιατροτεχνολογικό προϊόν; Медицинскоизделие; Tibbi cihaz; სამედიცინო მოწყობილობა; Բժշկական սարք; Tibbi Avadanlıq; Медицинское изделие; Peralatan Medis; Peranti Perubatan; 醫療機器; 의료 장치; 醫療裝置; 医疗器械; جهاز طبي; התקן רפואי



Instructions for use intended for clinician; Gebrauchsanweisung für Ärzte; Gebruiksaanwijzing voor de arts; Mode d'emploi destiné au praticien; Istruzioni per l'uso previsto per il medico; Instrucciones de uso destinadas al médico; Instruções de utilização destinadas a profissionais de saúde; Bruksanvisning avsedd för läkaren; Brugsanvisning tiltaent kliniker; Bruksanvisning beregnet på lege; Lääkärille tarkoitettu käyttöohjeet; Notkunarleiðbeiningar fyrir lækni; Kasutusjuhend meditsiinitöötajale; Ärstiem paredzēti lietošanas norādījumi; Gydymoju skirta naudojimo instrukcija; Návod k použití určený pro klinického lékaře; Használati útmutató az orvosnak; Návod na použitie určený pre lekára; Navodila za uporabo, namenjena zdravstvenemu delavcu; Instrukcja użycia przeznaczona dla lekarza; Instrucțiuni de utilizare destinate medicului; Upute za upotrebu namijenjene kliničkim djelatnicima; Uputstvo za upotrebu namenjeno lekaru; Οδηγίες χρήσης για τον ιατρό; Инструкции за употреба, предназначени за лекаря; Klinisyen için kullanım talimatları; გამოყენების ინსტრუქცია გეჰიმისთვის; Oqunmaqarbdmân hpuhuanqûnêrê; İstifada qaydaları; Инструкции по применению предназначены для врачей; Petunjuk penggunaan khusus untuk tenaga medis; Arahan penggunaan untuk klinician; 医師用の取扱説明書; 의사 사용 지침; 臨床醫生專用使用說明; 适用于临床医生的使用说明;

תיבה, רاجع الاستخدام المخصصة للطبيب; והירות שימוש לרופא

Frankrike; Triman-symboli ja Infotri-ohjeet Ranskaa varten; Triman tákn og Infotri fyrir Frakkland; Trimani sümbol ja Infotri Prantsusmaal; Triman simbols un Infotri Francijai; Prancúzijai skirtas „Triman“ simbolis ir „Infotri“; Symbol Triman a Infotri pro Francii; Triman szimbólum és Infotri Franciaország esetében; Symbol Triman a Infotri pre Francúzsko; Simbol Triman in Infotri za Francijo; Symbol Triman i Infotri dla Francji; Simbolul Triman și Infotri pentru Franța; Simbol Triman i oznaka Infotri za Francusku; Simboli Triman i Infotri za Francusku; Σύμβολο Triman και Infotri για τη Γαλλία; Символ Triman и Infotri за Франция; Fransa için Triman sembolü ve Infotri; Թրինմանի և Infotri-ի նշանները և Infotri պիտակը Ֆրանսիայի համար; Triman simvolu və Fransa üçün Infotri; Символ Triman и Infotri для Франции; Simbol Triman dan Infotri untuk Prancis; Simbol Triman dan Infotri untuk Perancis; フランスのTriman記号とInfotri; 프랑스용 Triman 기호 및 Infotri; 法國 Triman 標誌和分類中心; 法國 Triman 标志和分类信息;

מלם Infotri-ו Triman עבור צרפת

رمز Triman و Infotri لأجل فرنسا



Recycling guidelines; Recycling-Richtlinien; Recycling richtlijnen; Consignes de recyclage; Linee guida per il riciclo; Directrices de reciclado; Orientações relativas à reciclagem; Riktlinjer för återvinning; Retningslinjer for genanvendelse; Retningslinjer for resirkulering; Kierrätysohjeet; Leiðbeiningar um endurvinnslu; Ringlussefótu juhised; Reciclēšanas vadlīnijas; Perdirbimo rekomendacijos; Pokyny pro recykklaci; Újrahasznosítási útmutató; Usmernenia týkajúce sa recyklácie; Smernice za recikliranje; Wytuczne dotyczące recyklingu; Indicații privind reciclarea; Smjernice za recikliranje; Smernice za reciklažu; Κατευθυντήριες γραμμές σχετικά με την ανακύκλωση; Указания за рециклиране; Geri dönmüşüm yönergeleri; გადამუშავების გაიდლაინები; Կերպակազմման ուղեցույց; Tökran emal üçün atilma təlimatları; Рекомендации по переработке отходов; Panduan mendaur ulang; Garis panduan kitar semula; リサイクルガイドライン; 재활용 지침; 回收指引; 回收指南;

إرشادات إعادة التدوير; הנחיות מייחזור



Open here; Hier öffnenen; Hier openen; Ouvrir ici; Aprire qui; Abrir aquí; Abrir aquí; Öppna här; Åbn her; Åpnes her; Avataan tästä; Opnast hér; Avage siit; Atvērt šeit; Atidarykite čia; Otvěrete zde; Itt nyílik; Ötvorte tu; Odprite tukaj; Otwierać tutaj; Deschideți aici; Otvorite ovdje; Otvorite ovde; Ανοίξτε εδώ; Откройте тут; Buradan açın; გახსენით აქ; Բացել այստեղ; Buradan açın; Открыть здесь; Buka di sini; ここを開ける; 여기를 개봉; 由此打開; 从此处打开;

افتح هنا; פתוח כאן

XXXXX, NN
YYYY-MM-DD

XXXXXX, NN = Reference number, Version number; Referenznummer, Versionsnummer; referentienummer, versienummer; Numéro de référence, numéro de version; Numero di riferimento, numero di versione; Número de referencia Número de versión; Número de referência, Número da versão; Referensnummer, Versionsnummer; Referencennummer, versionsnummer; Referansnummer, Versjonsnummer; viitenumero, versionumero; Tilvisunarnúmer, Útgáfunúmer; viitenumber, versiooinumber; atsaucenumurs, versijas numurs; nuorodos numeris, versijos numeris; referenční číslo, Číslo verze; hivatkozási szám, verziószám; referenčné číslo, číslo verzie; Referenčna številka, Številka različice; Numer katalogowy, Numer wersji; Numărul de referință, numărul versiunii; referentni broj, broj verzije; referentni broj, broj verzije; Αριθμός αναφοράς, Αριθμός έκδοσης; Референтен номер, Номер на версията; Referans numarası, Sürüm numarası; Ենթոմոմարոմ նոմերոմ, ջերևիտոմ նոմերոմ; Հղման համարը, Տարբերակի համարը; İstinad nömrəsi, Versiya nömrəsi; справочный номер, номер версии; Nomor referensi, Nomor versi; Nombor rujukan, Nombor versi; 参照番号、バージョン番号; 참조 번호, 버전 번호; 参考編號, 版本號碼; 参考编号, 版本号;

الرقم المرجعي, رقم الإصدار; מספר סימוכין, מספר גרסה

YYYY-MM-DD = Date of issue; Ausstellungsdatum; datum van uitgifte; Date d'émission; Data di emissione; Fecha de expedición; Data de emissão; Utfärdandedatum; Udstedelsesdato; Utgivelsesdato; julkaisupäivä; Utgåfudagur; väljaandmise kuupäev; izdošanas datums; lejdimo data; Datum vydání; a kiadás dátuma; dátum vydania; Datum izdaje; Data wydania; Data emiterii; Datum izdavanja; datum izdavanja; datum izdavanja; Ημερομηνία έκδοσης; Дата на издаване; Verilme tarihi; გამომცემების თარიღი; Թողարկման ամսաթիվ; Buraxılma tarixi; дата выпуска; Tanggal penerbitan; Tarikh dikeluarkan; 発行日; 발행일; 發行日期; 发布日期;

תאריך היצירה; تاريخ الإصدار



11086, 06
2024-09-18

Atos
atosmedical.com



Atos Medical AB
Kraftgatan 8, SE-242 35 Hörby, Sweden
Tel: +46 (0)415 198 00 • info@atosmedical.com

Atos and the Atos logo are trademarks of Coloplast A/S.
© 2024 Coloplast A/S. All rights reserved.